

TCP 32DC/30A M - Thermal device circuit breaker



1499987

<https://www.phoenixcontact.com/us/products/1499987>

Please be informed that the data shown in this PDF document is generated from our online catalog. Please find the complete data in the user documentation. Our general terms of use for downloads are valid.



1-channel thermal device circuit breaker for protecting loads up to 32 V DC in the event of an overload. Fuse type: slow-blow. Can be plugged onto fuse terminal blocks and interfaces for flat plug-in fuse of type C according to standard ISO 8820-3. With fixed nominal current: 30 A

Your advantages

- Fast, replacement part-free recommissioning after an event with the reconnection options
- Easy to retrofit in existing systems with vehicle flat-type fuses with identical pin connector pattern
- Easy identification of the nominal current value via color marking

Commercial data

Item number	1499987
Packing unit	100 pc
Minimum order quantity	100 pc
Sales key	CL27
Product key	CLA112
GTIN	4063151956509
Weight per piece (including packing)	4.67 g
Weight per piece (excluding packing)	4.252 g
Customs tariff number	85362010
Country of origin	CN

TCP 32DC/30A M - Thermal device circuit breaker



1499987

<https://www.phoenixcontact.com/us/products/1499987>

Technical data

Product properties

Product type	Thermal device circuit breakers
Type	Male
Number of positions	1
No. of channels	1

Insulation characteristics

Protection class	III
------------------	-----

Electrical properties

Fuse	thermal
------	---------

General

Rated voltage	max. 32 V DC
Rated current I_N	30 A
Required backup fuse	Only required if I_{max} of the power supply > the short-circuit switching capacity.
Rated short-circuit switching capacity I_{cn}	300 A (≥ 3 shutdowns)
Short-circuit switching capacity	150 A (≥ 3 shutdowns)
	2000 A (≥ 1 switch-off)
Fuse	thermal
Voltage drop	< 150 mV
Contact switching type	Type C in accordance with ISO 8820-3

Connection data

Connection method	pluggable
-------------------	-----------

Dimensions

Dimensional drawing	
Width	6.2 mm
Height	19.7 mm
Depth	29.5 mm

Material specifications

Color	yellow green (RAL 6018)
Material	CuSn
Flammability rating according to UL 94	V-0

TCP 32DC/30A M - Thermal device circuit breaker



1499987

<https://www.phoenixcontact.com/us/products/1499987>

Insulating material	PA 6
Housing material	PA 6

Mechanical properties

Mechanical data

Open side panel	No
-----------------	----

Environmental and real-life conditions

Ambient conditions

Degree of protection	IP30 (Actuation area)
Ambient temperature (operation)	-40 °C ... 85 °C
Ambient temperature (storage/transport)	-40 °C ... 125 °C

Mounting

Mounting type	on base element
---------------	-----------------

TCP 32DC/30A M - Thermal device circuit breaker

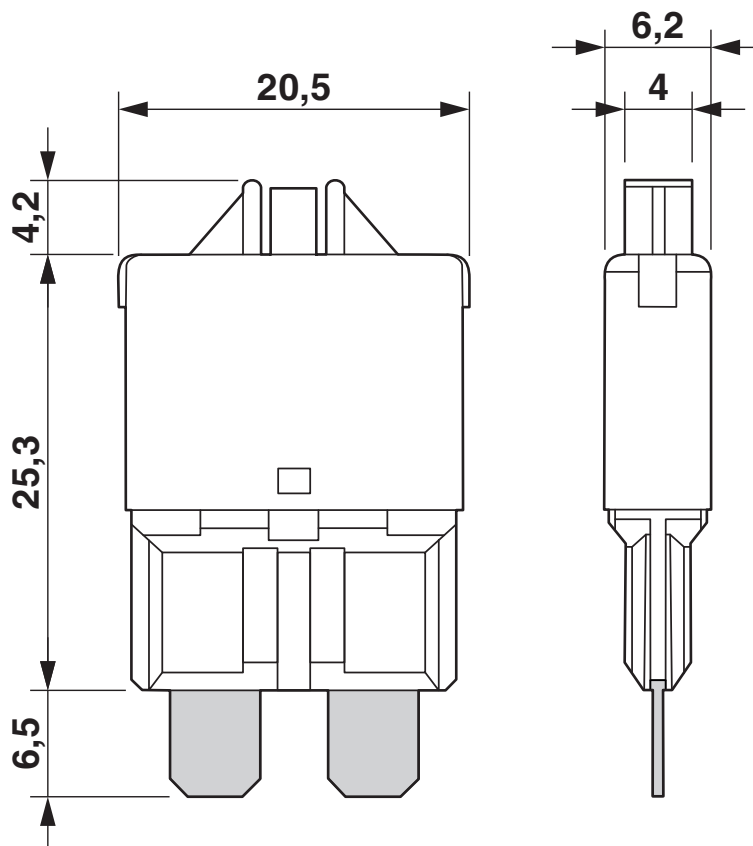
1499987

<https://www.phoenixcontact.com/us/products/1499987>



Drawings

Dimensional drawing





Trigger characteristic

TCP 32DC/30A M - Thermal device circuit breaker



1499987

<https://www.phoenixcontact.com/us/products/1499987>

Classifications

ECLASS

ECLASS-13.0	27140401
ECLASS-15.0	27140401

ETIM

ETIM 10.0	EC003538
-----------	----------

UNSPSC

UNSPSC 21.0	39121400
-------------	----------

TCP 32DC/30A M - Thermal device circuit breaker



1499987

<https://www.phoenixcontact.com/us/products/1499987>

Environmental product compliance

EU RoHS

Fulfills EU RoHS substance requirements	Yes, No exemptions
---	--------------------

China RoHS

Environment friendly use period (EFUP)	EFUP-E
	No hazardous substances above the limits

EU REACH SVHC

REACH candidate substance (CAS No.)	No substance above 0.1 wt%
-------------------------------------	----------------------------

Phoenix Contact 2026 © - all rights reserved
<https://www.phoenixcontact.com>

Phoenix Contact USA
586 Fulling Mill Road
Middletown, PA 17057, United States
(+717) 944-1300
info@phoenixcon.com