

# TCP 32DC/6A F - Thermal device circuit breaker



1499940

<https://www.phoenixcontact.com/us/products/1499940>

Please be informed that the data shown in this PDF document is generated from our online catalog. Please find the complete data in the user documentation. Our general terms of use for downloads are valid.



1-channel thermal device circuit breaker for protecting loads up to 32 V DC in the event of an overload. Fuse type: fast-acting. Can be plugged onto fuse terminal blocks and interfaces for flat plug-in fuse of type C according to standard ISO 8820-3. With fixed nominal current: 6 A

## Your advantages

- Fast, replacement part-free recommissioning after an event with the reconnection options
- Easy to retrofit in existing systems with vehicle flat-type fuses with identical pin connector pattern
- Easy identification of the nominal current value via color marking

## Commercial data

|                                      |               |
|--------------------------------------|---------------|
| Item number                          | 1499940       |
| Packing unit                         | 100 pc        |
| Minimum order quantity               | 100 pc        |
| Sales key                            | CL27          |
| Product key                          | CLA112        |
| GTIN                                 | 4063151955489 |
| Weight per piece (including packing) | 4.62 g        |
| Weight per piece (excluding packing) | 4.252 g       |
| Customs tariff number                | 85362010      |
| Country of origin                    | CN            |

# TCP 32DC/6A F - Thermal device circuit breaker



1499940

<https://www.phoenixcontact.com/us/products/1499940>

## Technical data

### Product properties

|                     |                                 |
|---------------------|---------------------------------|
| Product type        | Thermal device circuit breakers |
| Type                | Male                            |
| Number of positions | 1                               |
| No. of channels     | 1                               |

### Insulation characteristics

|                  |     |
|------------------|-----|
| Protection class | III |
|------------------|-----|

### Electrical properties

|      |         |
|------|---------|
| Fuse | thermal |
|------|---------|

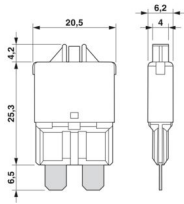
### General

|                                  |  |
|----------------------------------|--|
| Rated voltage                    | max. 32 V DC   |
| Rated current $I_N$              | 6 A  |
| Required backup fuse             | Only required if $I_{max}$ of the power supply > the short-circuit switching capacity. |
| Short-circuit switching capacity | 150 A ( $\geq 3$ shutdowns)<br>2000 A ( $\geq 1$ switch-off)                           |
| Fuse                             | thermal  |
| Voltage drop                     | < 150 mV   |
| Contact switching type           | Type C in accordance with ISO 8820-3   |

### Connection data

|                   |           |
|-------------------|-----------|
| Connection method | pluggable |
|-------------------|-----------|

### Dimensions

|                     |  |
|---------------------|--|
| Dimensional drawing |  |
| Width               | 6.2 mm   |
| Height              | 19.7 mm  |
| Depth               | 29.5 mm  |

### Material specifications

|  |                       |
|--|-----------------------|
| Color                                  | moss green (RAL 6005) |
| Material                               | CuSn                  |
| Flammability rating according to UL 94 | V-0                   |
| Insulating material                    | PA 6                  |

# TCP 32DC/6A F - Thermal device circuit breaker



1499940

<https://www.phoenixcontact.com/us/products/1499940>

|                  |      |
|------------------|------|
| Housing material | PA 6 |
|------------------|------|

## Mechanical properties

### Mechanical data

|                 |    |
|-----------------|----|
| Open side panel | No |
|-----------------|----|

## Environmental and real-life conditions

### Ambient conditions

|   |                       |
|---|-----------------------|
| Degree of protection                    | IP30 (Actuation area) |
| Ambient temperature (operation)         | -40 °C ... 85 °C      |
| Ambient temperature (storage/transport) | -40 °C ... 125 °C     |

## Mounting

|               |                 |
|---------------|-----------------|
| Mounting type | on base element |
|---------------|-----------------|

# TCP 32DC/6A F - Thermal device circuit breaker

1499940

<https://www.phoenixcontact.com/us/products/1499940>

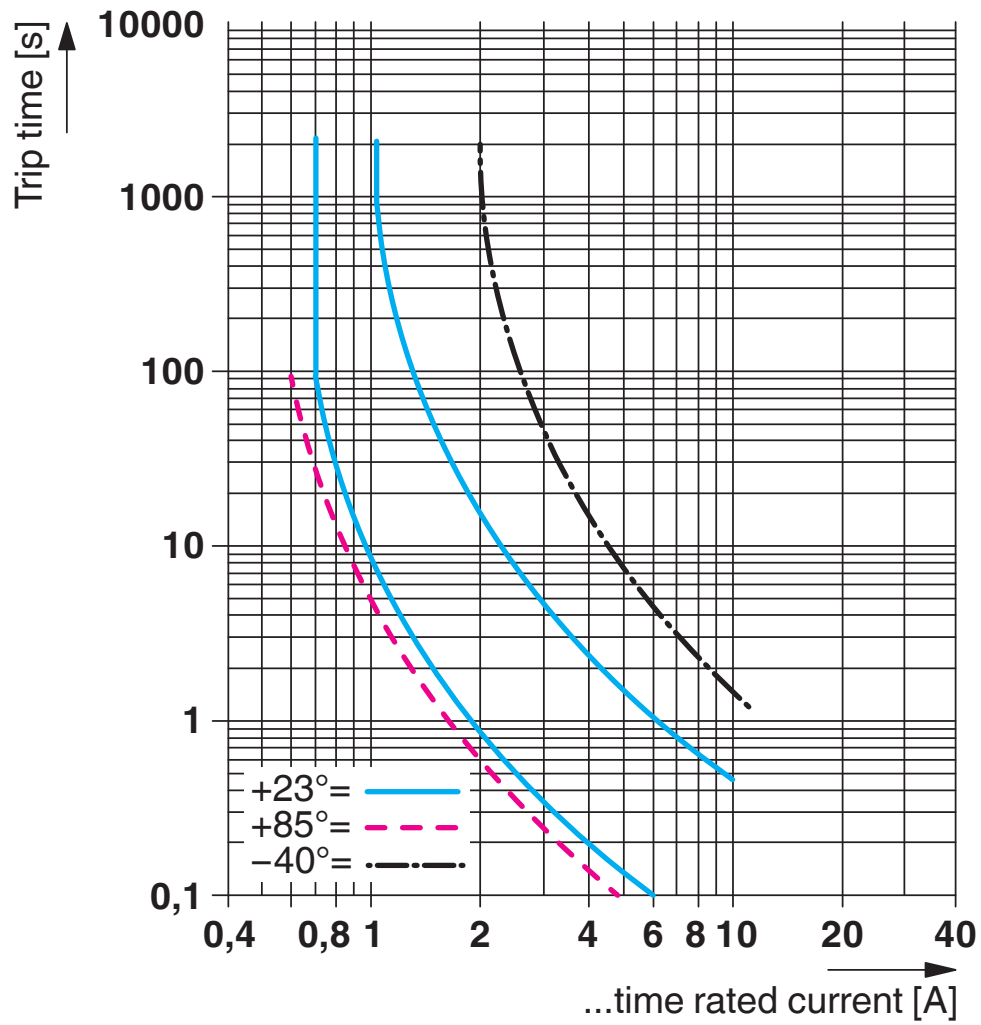


## Drawings

Dimensional drawing



Diagram



Trigger characteristic

# TCP 32DC/6A F - Thermal device circuit breaker



1499940

<https://www.phoenixcontact.com/us/products/1499940>

## Classifications

### ECLASS

|             |          |
|-------------|----------|
| ECLASS-13.0 | 27140401 |
| ECLASS-15.0 | 27140401 |

### ETIM

|           |          |
|-----------|----------|
| ETIM 10.0 | EC003538 |
|-----------|----------|

### UNSPSC

|             |          |
|-------------|----------|
| UNSPSC 21.0 | 39121400 |
|-------------|----------|

# TCP 32DC/6A F - Thermal device circuit breaker



1499940

<https://www.phoenixcontact.com/us/products/1499940>

## Environmental product compliance

### EU RoHS

|   |                    |
|---|--------------------|
| Fulfills EU RoHS substance requirements | Yes, No exemptions |
|---|--------------------|

### China RoHS

|  |  |
|--|--|
| Environment friendly use period (EFUP) | EFUP-E                                   |
|  | No hazardous substances above the limits |

### EU REACH SVHC

|                                     |                            |
|-------------------------------------|----------------------------|
| REACH candidate substance (CAS No.) | No substance above 0.1 wt% |
|-------------------------------------|----------------------------|

Phoenix Contact 2026 © - all rights reserved  
<https://www.phoenixcontact.com>

Phoenix Contact USA  
586 Fulling Mill Road  
Middletown, PA 17057, United States  
(+717) 944-1300  
[info@phoenixcon.com](mailto:info@phoenixcon.com)