

# SACB-6/12-M23 P12 - Distributor box



1491730

<https://www.phoenixcontact.com/us/products/1491730>

Please be informed that the data shown in this PDF document is generated from our online catalog. Please find the complete data in the user documentation. Our general terms of use for downloads are valid.



Distributor box, application: Standard, connection method: M12 PUSH-PULL female connector / M12 socket, number of slots: 6, number of positions: 5, coding: A, slot assignment: Double, status display: no, Universal; master cable connection: M23 plug-in connection (for standard and ONECLICK fast-locking system) 90°, shielding: no

Marking labels are not included in the scope of delivery

## Your advantages

- Safety in the field, thanks to molded housing and high degree of protection
- Fast, secure installation of connectors with the push-pull fast-locking system in accordance with IEC 61076-2-010
- Save space: distributor box with double occupancy for two sensors in one slot

## Commercial data

Item number	1491730
Packing unit	1 pc
Minimum order quantity	1 pc
Sales key	BF41
Product key	AF3CBB
GTIN	4063151939489
Weight per piece (including packing)	234.1 g
Weight per piece (excluding packing)	234.1 g
Customs tariff number	85444290
Country of origin	DE

# SACB-6/12-M23 P12 - Distributor box



1491730

<https://www.phoenixcontact.com/us/products/1491730>

## Technical data

### Notes

Assembly note	<b>NOTE:</b> Observe the permissible bending radii when routing cables, since the degree of protection may be at risk if the bending forces are too high. Reduce mechanical loads upstream of the connector, e.g., by using cable ties.
Note on application	Unused slots are to be sealed off prior to commissioning. Suitable sealing elements are to be found under "Accessories".

### Product properties

Product type	Distributor box
Application	Standard
Number of positions	5
Number of slots	6
Coding	A

### Electrical properties

Max. operating voltage $U_{max}$	135 V
Nominal voltage $U_N$	120 V AC
	120 V DC
Rated current, total	12 A
Max. current carrying capacity per path	2 A
Current carrying capacity per slot	4 A

### Connection data

#### Conductor connection

Sensor/actuator connection system	M12 PUSH-PULL female connector
	M12 socket
Tightening torque slot sensor/actuator cable	0.4 Nm

#### Connection assignment

Slot/position = Wire color or connection	1 / 4 (A) = 15
	1 / 2 (B) = 7
	2 / 4 (A) = 5
	2 / 2 (B) = 4
	3 / 4 (A) = 16
	3 / 2 (B) = 8
	4 / 4 (A) = 3
	4 / 2 (B) = 14
	5 / 4 (A)
	5 / 2 (B) = 9
	6 / 4 (A)
	6 / 2 (B) = 13

# SACB-6/12-M23 P12 - Distributor box



1491730

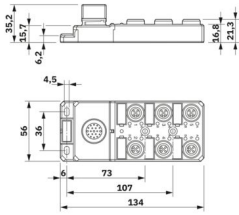
<https://www.phoenixcontact.com/us/products/1491730>

	1-6 / 1 (+ 120 V) = 19
	1-6 / 3 (0 V) = 6
	1-6 / 5 (PE) = 12

## Signaling

Status display present	no
------------------------	----

## Dimensions

Dimensional drawing	
Width	56 mm
Height	35.2 mm
Length	134 mm

## Material specifications

Material Housing	PBT
Flammability rating according to UL 94	V0
Seal material	FKM
Contact material	CuSn
Contact surface material	Ni/Au
Contact carrier material	PA
Material of contact, master cable side	CU alloy
Material of contact surface, master cable side	gold-plated

## Cable/line

Connection method	M23 plug-in connection (for standard and ONECLICK fast-locking system)
-------------------	--

## Environmental and real-life conditions

### Ambient conditions

Degree of protection	IP65
	IP67
Ambient temperature (operation)	-25 °C ... 80 °C

# SACB-6/12-M23 P12 - Distributor box

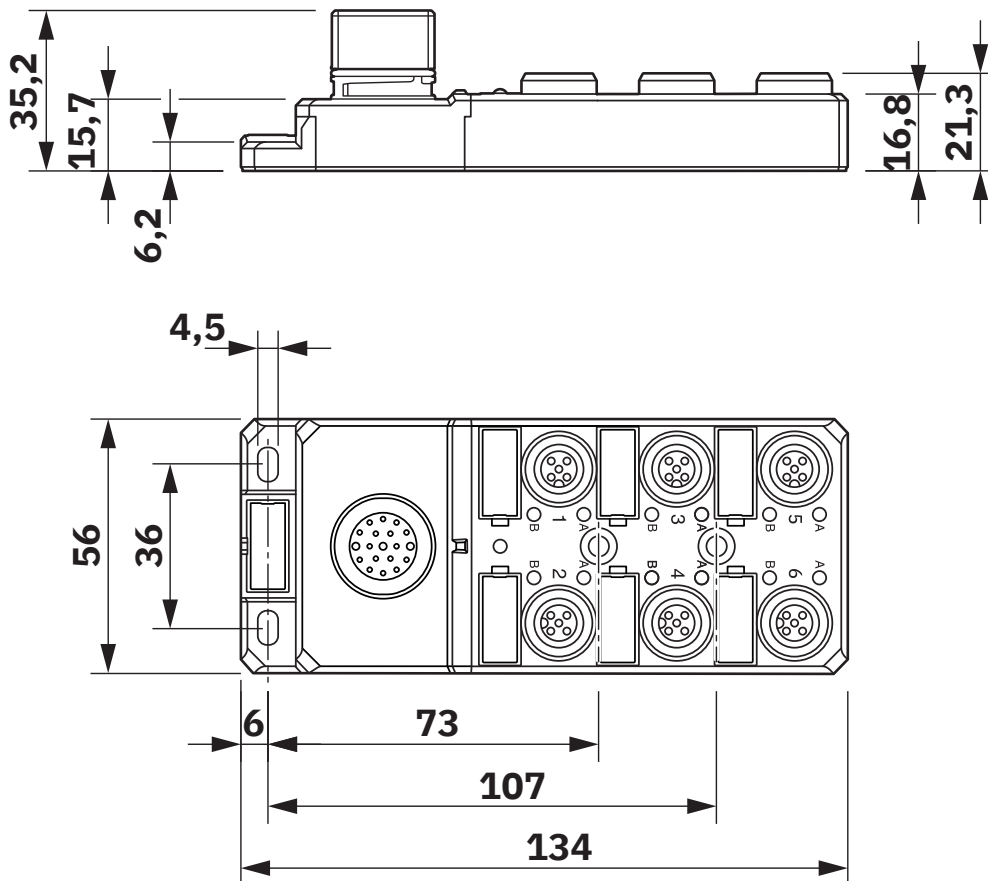


1491730

<https://www.phoenixcontact.com/us/products/1491730>

## Drawings

Dimensional drawing



# SACB-6/12-M23 P12 - Distributor box

1491730

<https://www.phoenixcontact.com/us/products/1491730>

Schematic diagram



M12 slot, socket, 5-pos.

Schematic diagram



M23 plug connection pin, 19-pos.

# SACB-6/12-M23 P12 - Distributor box

1491730

<https://www.phoenixcontact.com/us/products/1491730>



Circuit diagram



# SACB-6/12-M23 P12 - Distributor box



1491730

<https://www.phoenixcontact.com/us/products/1491730>

## Classifications

### ECLASS

ECLASS-13.0	27440111
ECLASS-15.0	27440111

### ETIM

ETIM 10.0	EC003558
-----------	----------

### UNSPSC

UNSPSC 21.0	31251500
-------------	----------

# SACB-6/12-M23 P12 - Distributor box



1491730

<https://www.phoenixcontact.com/us/products/1491730>

## Environmental product compliance

### EU RoHS

Fulfills EU RoHS substance requirements	Yes, No exemptions
---	--------------------

### China RoHS

Environment friendly use period (EFUP)	EFUP-E
	No hazardous substances above the limits

### EU REACH SVHC

REACH candidate substance (CAS No.)	No substance above 0.1 wt%
-------------------------------------	----------------------------

Phoenix Contact 2026 © - all rights reserved  
<https://www.phoenixcontact.com>

Phoenix Contact USA  
586 Fulling Mill Road  
Middletown, PA 17057, United States  
(+717) 944-1300  
[info@phoenixcon.com](mailto:info@phoenixcon.com)