

SAC-3P- 3,0-PUR/P12FS SH - Sensor/actuator cable



1476792

<https://www.phoenixcontact.com/us/products/1476792>

Please be informed that the data shown in this PDF document is generated from our online catalog. Please find the complete data in the user documentation. Our general terms of use for downloads are valid.



Sensor/actuator cable, 3-position, PUR halogen-free, black-gray RAL 7021, shielded (Advanced Shielding Technology), free cable end, on Socket straight M12 Push Pull, coding: A, cable length: 3 m

Your advantages

- Easy and safe: 100 % electrically tested plug-in components
- Save time, thanks to installation with push-pull fast locking

Commercial data

| | |
|--------------------------------------|---------------|
| Item number | 1476792 |
| Packing unit | 1 pc |
| Minimum order quantity | 1 pc |
| Sales key | BF06 |
| Product key | AF1CIC |
| GTIN | 4063151890056 |
| Weight per piece (including packing) | 113.2 g |
| Weight per piece (excluding packing) | 22.22 g |
| Customs tariff number | 85444290 |
| Country of origin | PL |

1476792

<https://www.phoenixcontact.com/us/products/1476792>

Technical data

Product properties

| | |
|----------------------|-----------------------|
| Product type | Sensor/actuator cable |
| Application | Standard |
| Number of positions | 3 |
| No. of cable outlets | 1 |
| Shielded | yes |
| Coding | A |

Insulation characteristics

| | |
|----------------------|----|
| Overvoltage category | II |
| Degree of pollution | 3 |

Material specifications

| | |
|--|---|
| Material | PA (Female connector contact carrier) |
| Flammability rating according to UL 94 | V0 |
| Material of grip body | TPU, hardly inflammable, self-extinguishing |
| Contact material | CuSn |
| Contact surface material | Ni/Au |
| Outer sheath, material | PUR |
| Conductor material | Bare Cu litz wires |

Electrical properties

| | |
|---------------------------|----------------------------|
| Insulation resistance | $\geq 100 \text{ M}\Omega$ |
| Nominal voltage U_N | 48 V AC |
| | 60 V DC |
| Nominal current I_N | 4 A |
| Max. conductor resistance | 58 Ω /m |

Mechanical properties

Mechanical data

| | |
|-----------------------------|------------|
| Insertion/withdrawal cycles | ≥ 100 |
| Max. bending cycles | 10000000 |

Signaling

| | |
|------------------------|----|
| Status display | no |
| Status display present | no |

Connection data

Conductor connection

| | |
|-------------------|--------------------------|
| Tightening torque | M12 push-pull connectors |
|-------------------|--------------------------|

SAC-3P- 3,0-PUR/P12FS SH - Sensor/actuator cable



1476792

<https://www.phoenixcontact.com/us/products/1476792>

Connector

Connection 1

| | |
|------|----------------|
| Type | free cable end |
|------|----------------|

Connection 2

| | |
|---------------------|-------------------------------|
| Type | Socket straight M12 Push Pull |
| Number of positions | 3 |
| Locking type | Push Pull |
| Coding type | A |

Cable/line

| | |
|--------------|-----|
| Cable length | 3 m |
|--------------|-----|

PUR halogen-free black [PUR]

| | |
|---|--|
| Cable weight | 31 kg/km |
| UL AWM Style | 20549 |
| Number of positions | 3 |
| Shielded | yes |
| Cable type | PUR halogen-free black [PUR] |
| Conductor structure signal line | 42x 0.10 mm |
| AWG signal line | 22 |
| Conductor cross-section | 3x 0.34 mm ² (Signal line) |
| Wire diameter incl. insulation | 1.27 mm ±0.02 mm (Signal line) |
| External cable diameter | 4.65 mm ±0.15 mm |
| Outer sheath, material | PUR |
| External sheath, color | black-gray RAL 7021 |
| Conductor material | Bare Cu litz wires |
| Material wire insulation | PP |
| Single wire, color | brown, blue, black |
| Thickness, insulation | ≥ 0.21 mm (Core insulation) approx. 0.50 mm (Outer cable sheath) |
| Overall twist | 3 wires, twisted |
| Optical shield covering | 80 % |
| Max. conductor resistance | max. 58 Ω/km (at 20 °C) |
| Insulation resistance | ≥ 100 GΩ*km (at 20 °C) |
| Nominal voltage, cable | ≤ 300 V |
| Test voltage | ≥ 3000 V |
| Smallest bending radius, fixed installation | 23 mm |
| Smallest bending radius, movable installation | 47 mm |
| Dynamic load capacity (bending) | Max. bending cycles: 10000000, Bending radius: 47 mm, Traversing path: 10 m, Traversing rate: 3 m/s, Acceleration: 10 m/s ² |
| Dynamic load capacity (torsion) | Torsion: ±180 °/m, Torsion cycles: ≥2000000, Torsional frequency: 35 cycles/min. |

SAC-3P- 3,0-PUR/P12FS SH - Sensor/actuator cable



1476792

<https://www.phoenixcontact.com/us/products/1476792>

| | |
|---------------------------------|--|
| Halogen-free | in accordance with DIN VDE 0472 part 815 |
| Flame resistance | in accordance with UL 758/1581 FT2 DIN EN 60332-2-2 (20 s) |
| Resistance to oil | in accordance with DIN EN 60811-2-1 |
| Other resistance | Highly resistant to acids, alkaline solutions and solvents hydrolysis and microbe resistant partly UV-resistant (in accordance with DIN EN ISO 4892-2-A) |
| Special properties | Flexible cable conduit capable Silicone-free Free of substances which would hinder coating with paint or varnish |
| Ambient temperature (operation) | -40 °C ... 80 °C (cable, fixed installation) -25 °C ... 80 °C (Cable, flexible installation) |

Environmental and real-life conditions

Ambient conditions

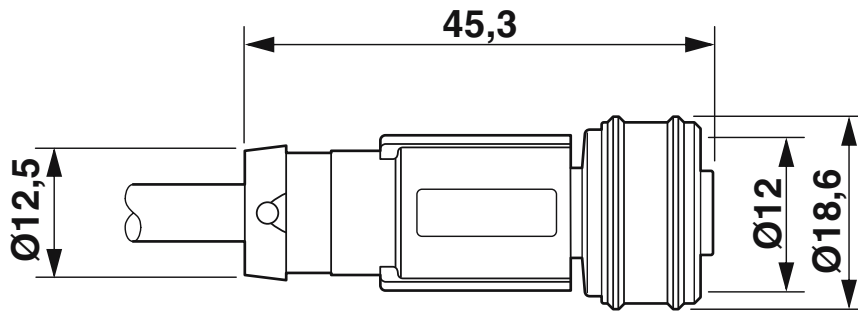
| | |
|---------------------------------|----------------------------------|
| Degree of protection | IP65 IP67 |
| Ambient temperature (operation) | -25 °C ... 85 °C (Plug / socket) |

Standards and regulations

| | |
|--------------------------|-----------------|
| Standard designation | M12-Push-Pull |
| Standards/specifications | IEC 61076-2-010 |

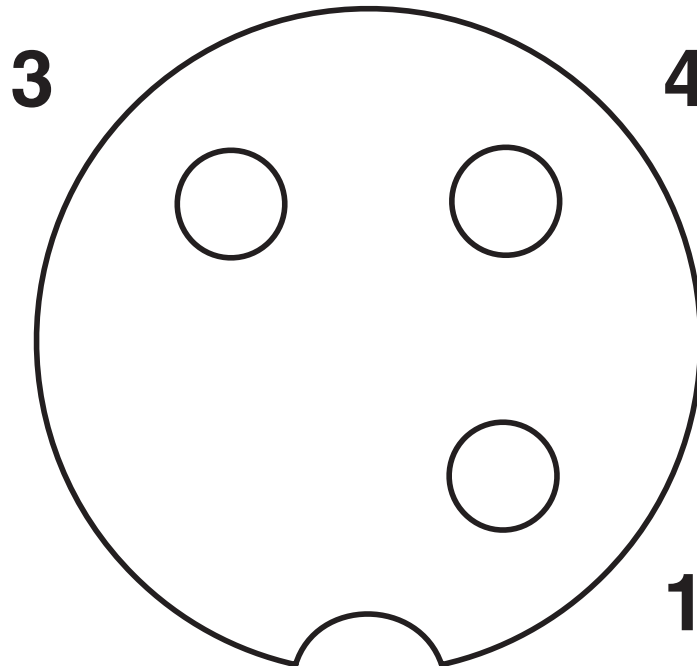
Drawings

Dimensional drawing



M12 push-pull female, straight, shielded

Schematic diagram



Pin assignment of M12 push-pull female, 3-pos., A-coded, view of female side

SAC-3P- 3,0-PUR/P12FS SH - Sensor/actuator cable



1476792

<https://www.phoenixcontact.com/us/products/1476792>

Circuit diagram



Contact assignment of the M12 socket

SAC-3P- 3,0-PUR/P12FS SH - Sensor/actuator cable



1476792

<https://www.phoenixcontact.com/us/products/1476792>

Classifications

ECLASS

| | |
|-------------|----------|
| ECLASS-13.0 | 27060311 |
| ECLASS-15.0 | 27060311 |

ETIM

| | |
|-----------|----------|
| ETIM 10.0 | EC001855 |
|-----------|----------|

UNSPSC

| | |
|-------------|----------|
| UNSPSC 21.0 | 26121600 |
|-------------|----------|

SAC-3P- 3,0-PUR/P12FS SH - Sensor/actuator cable



1476792

<https://www.phoenixcontact.com/us/products/1476792>

Environmental product compliance

EU RoHS

| | |
|---|--------------------|
| Fulfills EU RoHS substance requirements | Yes, No exemptions |
|---|--------------------|

China RoHS

| | |
|--|--|
| Environment friendly use period (EFUP) | EFUP-E |
| | No hazardous substances above the limits |

EU REACH SVHC

| | |
|-------------------------------------|----------------------------|
| REACH candidate substance (CAS No.) | No substance above 0.1 wt% |
|-------------------------------------|----------------------------|

Phoenix Contact 2026 © - all rights reserved
<https://www.phoenixcontact.com>

Phoenix Contact USA
586 Fulling Mill Road
Middletown, PA 17057, United States
(+717) 944-1300
info@phoenixcon.com