

OCS HP 100806 TRANS - Outdoor housing



1471774

<https://www.phoenixcontact.com/us/products/1471774>

Please be informed that the data shown in this PDF document is generated from our online catalog. Please find the complete data in the user documentation. Our general terms of use for downloads are valid.



Outdoor housing, color: light gray, dimensions: 276 x 257 x 185 mm (10" x 8" x 6"), incl. corner inlays, cover plugs, screws, cover: transparent, plastic latch, material: PC UV-stabilized

The product photo shows an open outdoor housing

Your advantages

- Internationally certified housing system
- Special plastic enables safe continuous operation
- Provides protection against the ingress of jet water
- Withstands even heavy mechanical strain

Commercial data

Item number	1471774
Packing unit	1 pc
Minimum order quantity	1 pc
Sales key	AC04
Product key	ACFDBA
GTIN	4063151880729
Weight per piece (including packing)	1.759 kg
Weight per piece (excluding packing)	1.759 kg
Customs tariff number	84879090
Country of origin	EE

Technical data

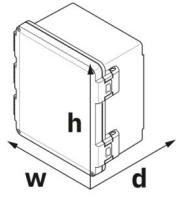
Notes

Assembly note	Only use the screws provided to screw the components onto the corner inlays, the mounting pillars, and the housing.
Recommendation	To maintain the degree of protection, you must install suitable components with at least the same IP degree of protection in all openings.
Recommendation	Further information and detailed dimensions are available in the download area.
Order information:	Mounting feet, mounting plates, mounting panels, and the mount for mast mounting are available as accessories, but are not supplied as standard.

Product properties

Product type	Complete housing
Housing type	Field housing
Housing type	Outdoor housings
Housing series	OCS
Product family	OCS..1008..
Ventilation openings present	no
Battery compartment	no

Dimensions

Dimensional drawing	
Width	257 mm
Height	276 mm
Depth	185 mm
Hole diameter	10 mm (Can be secured mechanically with the latch)

Material specifications

Color (Housing)	light gray (RAL 7035)
Color (Housing cover)	transparent
Material Housing	PC UV stabilized
Material Seal	PUR
Flammability rating according to UL 94	V2

Environmental and real-life conditions

Glow-wire test

OCS HP 100806 TRANS - Outdoor housing



1471774

<https://www.phoenixcontact.com/us/products/1471774>

Specification	IEC 60695-2-11:2014-02
Temperature	850 °C
Time of exposure	30 s

Degree of protection (IP code)

Specification	IEC 60529:2001-02
---------------	-------------------

Ambient conditions

Max. IP code to attain	IP69
Max. NEMA code to attain	6P
Impact strength	IK10 (at -35°C ... +40°C)
Ambient temperature (operation)	-40 °C ... 80 °C

PCB data

Type of PCB mount	Bolt mounting
-------------------	---------------

Mounting

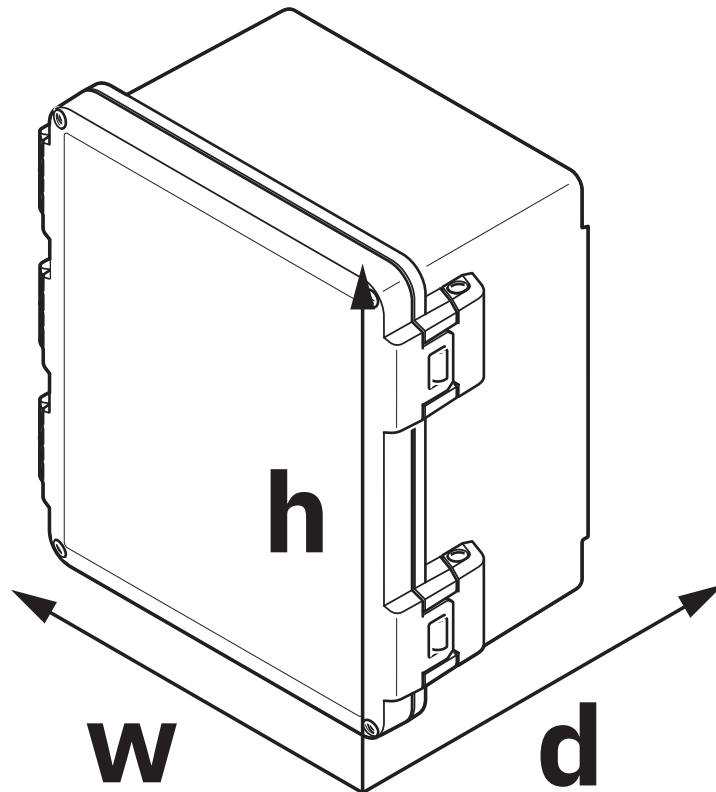
Mounting type	Mast mounting or panel mounting
Mounting position	any

Packaging specifications

Type of packaging	Box packaging
-------------------	---------------

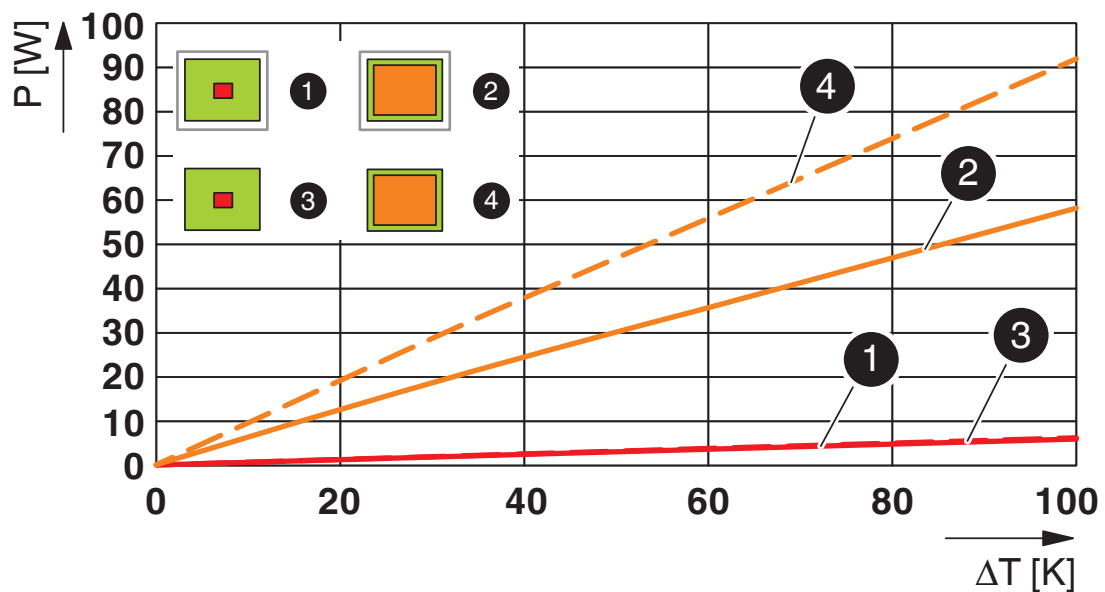
Drawings

Dimensional drawing

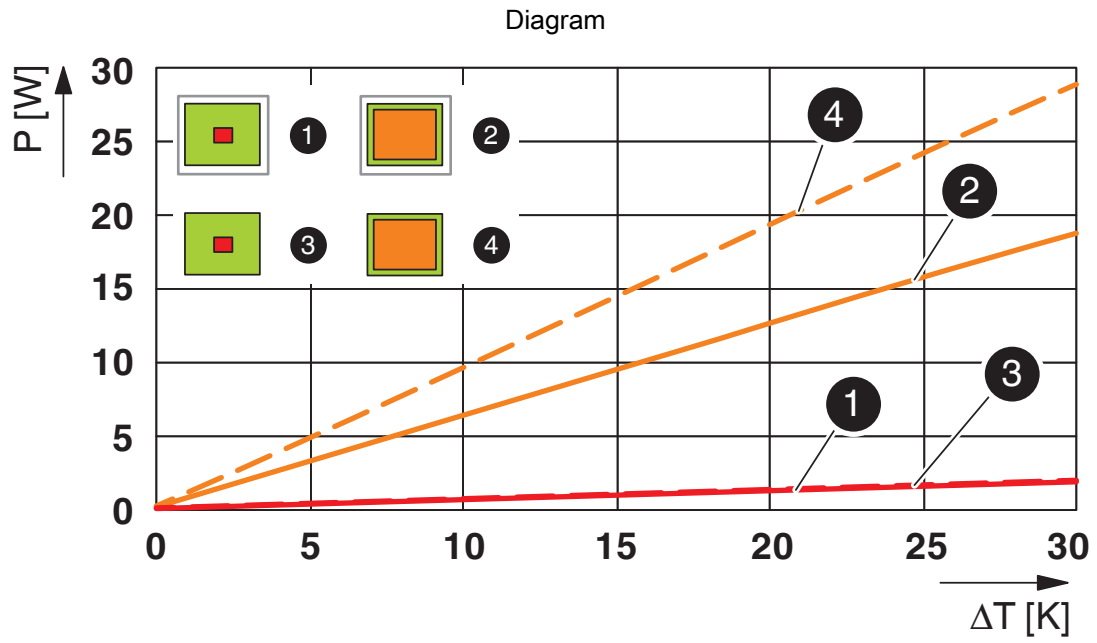


Schematic representation – for additional information, see product range drawing in the Download Center

Diagram



Power dissipation diagram for 0 K ... 100 K



Power dissipation diagram for 0 K ... 30 K

OCS HP 100806 TRANS - Outdoor housing



1471774

<https://www.phoenixcontact.com/us/products/1471774>

Approvals

To download certificates, visit the product detail page: <https://www.phoenixcontact.com/us/products/1471774>



cULus Listed

Approval ID: E255026-20221017

FI Cert

Approval ID: FI/42054

OCS HP 100806 TRANS - Outdoor housing



1471774

<https://www.phoenixcontact.com/us/products/1471774>

Classifications

ECLASS

ECLASS-13.0	27190103
ECLASS-15.0	27190103

ETIM

ETIM 10.0	EC001031
-----------	----------

1471774

<https://www.phoenixcontact.com/us/products/1471774>

Environmental product compliance

EU RoHS

Fulfills EU RoHS substance requirements	Yes
Exemption	6(c)

China RoHS

Environment friendly use period (EFUP)	EFUP-50
	An article-related China RoHS declaration table can be found in the download area for the respective article under "Manufacturer declaration". For all articles with EFUP-E, no China RoHS declaration table issued and required.

EU REACH SVHC

REACH candidate substance (CAS No.)	Lead(CAS: 7439-92-1)
SCIP	faea8fa8-2d45-4cb0-9f03-fd062a501545

Phoenix Contact 2026 © - all rights reserved

<https://www.phoenixcontact.com>

Phoenix Contact USA
586 Fulling Mill Road
Middletown, PA 17057, United States
(+717) 944-1300
info@phoenixcon.com