

# CUC-V14-C1ZNI-S/R4IE8:10 - RJ45 connector



1467901

<https://www.phoenixcontact.com/us/products/1467901>

Please be informed that the data shown in this PDF document is generated from our online catalog. Please find the complete data in the user documentation. Our general terms of use for downloads are valid.



Push-pull connector (version 14), die-cast zinc, with RJ45 connector insert, 8-pos., with IDC fast connection technology, for 1 and 7-wire cores, 26 ... 24 AWG, for cable diameter of 5.5 mm ... 10 mm

## Commercial data

Item number	1467901
Packing unit	1 pc
Note	Made to order (non-returnable)
Sales key	NULL
Product key	ABNOAA
GTIN	4046356801843
Weight per piece (including packing)	993.8 g
Weight per piece (excluding packing)	993.8 g
Customs tariff number	85366990
Country of origin	DE

# CUC-V14-C1ZNI-S/R4IE8:10 - RJ45 connector



1467901

<https://www.phoenixcontact.com/us/products/1467901>

## Technical data

### Product properties

Product type	Data plug
Type	Version 14
Number of positions	8
Connection profile	RJ45
No. of cable outlets	1
Cable outlet	straight

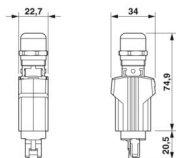
### Electrical properties

Rated current	1.75 A
Transmission speed	1 Gbps

### Connection data

Connection method	IDC fast connection
-------------------	---------------------

### Dimensions

Dimensional drawing	
Width	22 mm
Height	34 mm
Length	80 mm

### Material specifications

Housing material	Die-cast zinc
Housing surface material	nickel-plated

### Cable/line

External cable diameter	5.5 mm ... 10 mm
External cable diameter	5.5 mm ... 10 mm

### Mechanical properties

#### Mechanical data

Insertion/withdrawal cycles	≥ 750
-----------------------------	-------

### Environmental and real-life conditions

#### Ambient conditions

Degree of protection	IP65/IP67
----------------------	-----------

# CUC-V14-C1ZNI-S/R4IE8:10 - RJ45 connector



1467901

<https://www.phoenixcontact.com/us/products/1467901>

Ambient temperature (operation)	-40 °C ... 70 °C
Ambient temperature (storage/transport)	-40 °C ... 70 °C
Ambient temperature (assembly)	-10 °C ... 40 °C

## Standards and regulations

Standards/specifications	IEC PAS 61076-3-117
--------------------------	---------------------

# CUC-V14-C1ZNI-S/R4IE8:10 - RJ45 connector

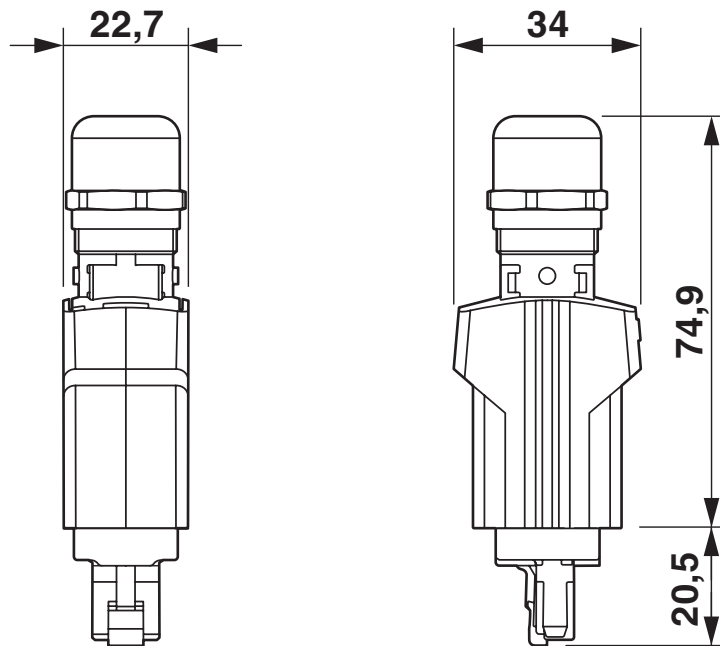
1467901

<https://www.phoenixcontact.com/us/products/1467901>



## Drawings

Dimensional drawing



1467901

<https://www.phoenixcontact.com/us/products/1467901>

## Environmental product compliance

### China RoHS

Environment friendly use period (EFUP)	EFUP-50
	An article-related China RoHS declaration table can be found in the download area for the respective article under "Manufacturer declaration". For all articles with EFUP-E, no China RoHS declaration table issued and required.

### EU REACH SVHC

REACH candidate substance (CAS No.)	No substance above 0.1 wt%
-------------------------------------	----------------------------

Phoenix Contact 2026 © - all rights reserved  
<https://www.phoenixcontact.com>

Phoenix Contact USA  
586 Fulling Mill Road  
Middletown, PA 17057, United States  
(+717) 944-1300  
[info@phoenixcon.com](mailto:info@phoenixcon.com)