

PV-DB S20-2,5/0,8-CA - Photovoltaic connectors



1463065

<https://www.phoenixcontact.com/us/products/1463065>

Please be informed that the data shown in this PDF document is generated from our online catalog. Please find the complete data in the user documentation. Our general terms of use for downloads are valid.



Commercial data

Item number	1463065
Packing unit	10 pc
Minimum order quantity	1 pc
Product key	ABLBEX
GTIN	4046356772921
Weight per piece (including packing)	102.6 g
Weight per piece (excluding packing)	102.6 g
Country of origin	DE

1463065

<https://www.phoenixcontact.com/us/products/1463065>

Technical data

Product properties

Product type	Photovoltaic connectors
Product family	SUNCLIX

Insulation characteristics

Protection class	II
------------------	----

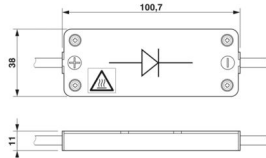
Electrical properties

Rated voltage (III/2)	1000 V
Rated surge voltage (III/3)	8 kV
Rated current	5 A

Connection data

Connection method	SUNCLIX miniature connectors (socket/plug)
-------------------	--

Dimensions

Dimensional drawing	
Width	38 mm
Height	11 mm
Length	100 mm

Material specifications

Color	black
Flammability rating according to UL 94	V0
Insulating material	PA
Contact surface	Silver Ag
Contact material	Cu alloy
Outer sheath, material	PE-X

Cable/line

Cable length	0.8 m
Cable type	PV1-F cables
Structure of individual litz in acc. with VDE 0295 / smallest wire diameter	48 litz wires x 0.25 mm
External cable diameter	5.05 mm ... 5.35 mm
Outer sheath, material	PE-X
External sheath, color	black
Single wire, cross section	2.5 mm ² 2.5 mm ²

PV-DB S20-2,5/0,8-CA - Photovoltaic connectors



1463065

<https://www.phoenixcontact.com/us/products/1463065>

Material, inner sheath	PE-X
Smallest bending radius, fixed installation	21 mm
Smallest bending radius, movable installation	21 mm
Cable pull-out force	≥ 80 N

Environmental and real-life conditions

Ambient conditions

Degree of protection	IP67
Ambient temperature (operation)	-40 °C ... 85 °C
Ambient temperature (assembly)	-25 °C ... 55 °C

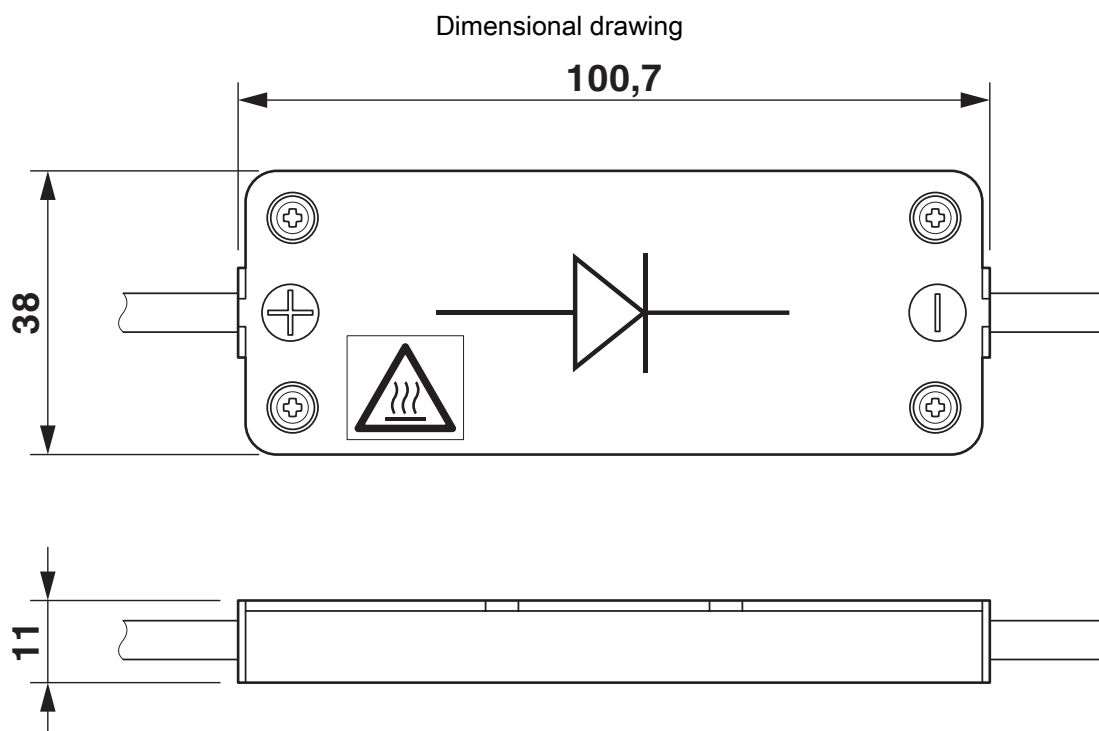
PV-DB S20-2,5/0,8-CA - Photovoltaic connectors



1463065

<https://www.phoenixcontact.com/us/products/1463065>

Drawings



1463065

<https://www.phoenixcontact.com/us/products/1463065>

Environmental product compliance

China RoHS

Environment friendly use period (EFUP)	EFUP-50
	An article-related China RoHS declaration table can be found in the download area for the respective article under "Manufacturer declaration". For all articles with EFUP-E, no China RoHS declaration table issued and required.

EU REACH SVHC

REACH candidate substance (CAS No.)	No substance above 0.1 wt%
-------------------------------------	----------------------------

Phoenix Contact 2026 © - all rights reserved
<https://www.phoenixcontact.com>

Phoenix Contact USA
586 Fulling Mill Road
Middletown, PA 17057, United States
(+717) 944-1300
info@phoenixcon.com