

# PV-C2MF-S-2,5-6 SET - Photovoltaic connector



1463055

<https://www.phoenixcontact.com/us/products/1463055>

Please be informed that the data shown in this PDF document is generated from our online catalog. Please find the complete data in the user documentation. Our general terms of use for downloads are valid.

Photovoltaic connector, Range of articles: SUNCLIX, housing material: PPE, color: black, min. conductor cross-section: 2.5 mm<sup>2</sup>, max. conductor cross-section: 6 mm<sup>2</sup>, Connection method: Spring-cage



## Commercial data

Item number	1463055
Packing unit	1 pc
Minimum order quantity	1 pc
Product key	ABLBS
GTIN	4046356742405
Weight per piece (including packing)	349 g
Weight per piece (excluding packing)	349 g
Country of origin	DE

## Technical data

### Notes

#### Safety note

Safety note	<ul style="list-style-type: none"> <li>• <b>WARNING:</b> Commission properly functioning products only. The products must be regularly inspected for damage. Decommission defective products immediately. Replace damaged products. Repairs are not possible.</li> </ul>
	<ul style="list-style-type: none"> <li>• <b>WARNING:</b> Only electrically qualified personnel may install and operate the product. They must observe the following safety notes. The qualified personnel must be familiar with the basics of electrical engineering. They must be able to recognize and prevent danger. The relevant symbol on the packaging indicates that only personnel familiar with electrical engineering are allowed to install and operate the product.</li> </ul>
	<p><b>WARNING:</b> The connectors may not be plugged in or disconnected under load. Ignoring the warning or improper use may damage persons and/or property.</p>
	<ul style="list-style-type: none"> <li>• The products are suitable for applications in plant, controller, and electrical device engineering.</li> </ul>
	<ul style="list-style-type: none"> <li>• Assembled products may not be manipulated or improperly opened.</li> </ul>
	<ul style="list-style-type: none"> <li>• Only use mating connectors that are specified in the technical data of the standards listed (e.g. the ones listed in the product accessories online at <a href="https://www.phoenixcontact.com/products">phoenixcontact.com/products</a>).</li> </ul>
	<ul style="list-style-type: none"> <li>• When using the product in direct connection with third-party manufacturers, the user is responsible.</li> </ul>
	<ul style="list-style-type: none"> <li>• For operating voltages &gt; 50 V AC, conductive connector housings must be grounded</li> </ul>
	<ul style="list-style-type: none"> <li>• Ensure that the protective or functional ground has been properly connected.</li> </ul>
	<ul style="list-style-type: none"> <li>• Observe the corresponding technical data. You will find information:                             <ul style="list-style-type: none"> <li>o On the product</li> <li>o On the packing label</li> <li>o In the supplied documentation</li> <li>o Online at <a href="https://www.phoenixcontact.com/products">phoenixcontact.com/products</a> under the product</li> </ul> </li> </ul>
	<ul style="list-style-type: none"> <li>• The installation notes/Design In documents online on the download page at <a href="https://www.phoenixcontact.com/products">phoenixcontact.com/products</a> must be observed for this product.</li> </ul>
	<ul style="list-style-type: none"> <li>• Use a protective cap to protect connectors that are not in use. The suitable accessories are available online in the accessory section of the product at <a href="https://www.phoenixcontact.com/products">phoenixcontact.com/products</a></li> </ul>
	<ul style="list-style-type: none"> <li>• The connector warms up in normal operation. Depending on the ambient conditions, the surface of the connector can continue to warm up. In this case, the user is responsible for posting warnings (e.g. DIN EN ISO 13732-1:2008-12).</li> </ul>
	<ul style="list-style-type: none"> <li>• Operate the connector only when it is fully plugged in and interlocked.</li> </ul>
	<ul style="list-style-type: none"> <li>• Ensure that when laying the cable, the tensile load on the connectors does not exceed the upper limit specified in the standards.</li> </ul>

# PV-C2MF-S-2,5-6 SET - Photovoltaic connector



1463055

<https://www.phoenixcontact.com/us/products/1463055>

• Observe the minimum bending radius of the cable. Lay the cable without twisting it.

## Product properties

Product type	Connector set
Product family	SUNCLIX

## Insulation characteristics

Protection class	II
Degree of pollution	2

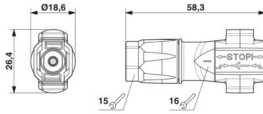
## Electrical properties

Rated voltage (II/2)	1000 V
Rated voltage (III/2)	1100 V
Rated surge voltage (II/2)	12 kV
Rated surge voltage (III/2)	12 kV
Rated surge voltage (III/3)	12.8 kV
Contact resistance	0.45 mΩ

## Connection data

Connection method	Spring-cage
Tightening torque	2 Nm ±0.1 Nm

## Dimensions

Dimensional drawing	
Width	19 mm
Height	26.4 mm
Length	99.2 mm

## Material specifications

Color	black
Color of the housing part	black
Flammability rating according to UL 94	V0
Insulating material group	I / CTI 600
Seal material	EPDM
Contact surface	Silver Ag
Housing material	PPE
Cable seal material	EPDM
Contact material	Cu
Contact surface material	Ni/Ag
Contact carrier material	PPE

# PV-C2MF-S-2,5-6 SET - Photovoltaic connector



1463055

<https://www.phoenixcontact.com/us/products/1463055>

O-ring material	Silopren
Material for screw connection	PPE

## Cable/line

External cable diameter	5.5 mm ... 8 mm
Single wire, cross section	2.5 mm <sup>2</sup> 6 mm <sup>2</sup>
Cable pull-out force	> 330 N

## Mechanical properties

### Mechanical data

Insertion force	45 N ±10 N
Withdrawal force	250 N ±50 N

## Environmental and real-life conditions

### Ambient conditions

Degree of protection (when plugged in)	IP66/IP68 (2 m / 24 h)
Degree of protection	IP66/IP68 (2 m / 24 h)
Ambient temperature (operation) (male connector/female connector)	-40 °C ... 85 °C
Ambient temperature (assembly)	-25 °C ... 50 °C

# PV-C2MF-S-2,5-6 SET - Photovoltaic connector

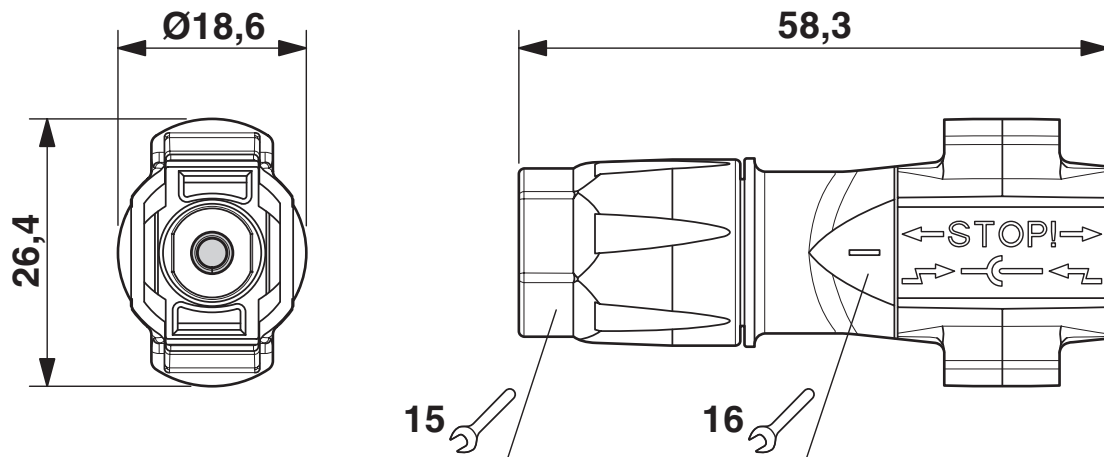


1463055

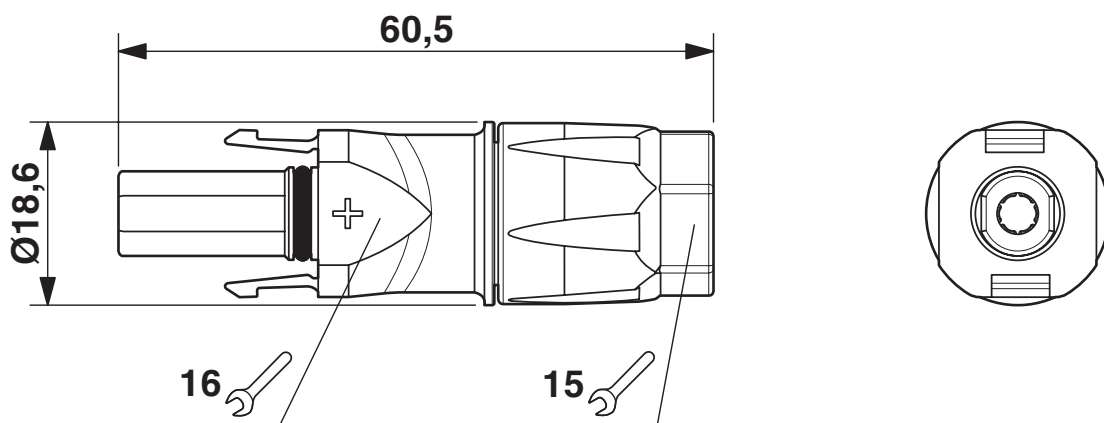
<https://www.phoenixcontact.com/us/products/1463055>

## Drawings

Dimensional drawing



Dimensional drawing



# PV-C2MF-S-2,5-6 SET - Photovoltaic connector



1463055

<https://www.phoenixcontact.com/us/products/1463055>

## Classifications

### ECLASS

ECLASS-13.0	27440107
ECLASS-15.0	27440107

### UNSPSC

UNSPSC 21.0	39121400
-------------	----------

# PV-C2MF-S-2,5-6 SET - Photovoltaic connector



1463055

<https://www.phoenixcontact.com/us/products/1463055>

## Environmental product compliance

### EU RoHS

Fulfills EU RoHS substance requirements	Yes, No exemptions
---	--------------------

### China RoHS

Environment friendly use period (EFUP)	EFUP-E
	No hazardous substances above the limits

### EU REACH SVHC

REACH candidate substance (CAS No.)	No substance above 0.1 wt%
-------------------------------------	----------------------------

Phoenix Contact 2026 © - all rights reserved  
<https://www.phoenixcontact.com>

Phoenix Contact USA  
586 Fulling Mill Road  
Middletown, PA 17057, United States  
(+717) 944-1300  
[info@phoenixcon.com](mailto:info@phoenixcon.com)