

FLT-MB-T1-264/25-3+0-UT - Type 1+2+3 combined lightning current and surge arresters



1461301

<https://www.phoenixcontact.com/us/products/1461301>

Please be informed that the data shown in this PDF document is generated from our online catalog. Please find the complete data in the user documentation. Our general terms of use for downloads are valid.



Compact, non-pluggable lightning current/surge arrester free of leakage current based on wear-free carbon spark gap technology for 3-phase power supply networks with common N and PE (4-conductor system: L1, L2, L3, PEN), suitable for use in the unmetered area, discharge capacity of up to 100 kA for lightning protection levels I and II.

Your advantages

- Safe operation and maximum system availability, thanks to reliable protection in the event of lightning current and surge voltages using innovative high-performance spark gap technology
- Maximum performance in the smallest installation space for all common power supply systems
- Suitable for use in the unmetered area, thanks to a protective circuit free of leakage current, and to a mechanical visual status indicator
- Space-saving and inexpensive installation, thanks to the slim overall width
- Informed at all times about the function of the protective effect, thanks to clear green/red indicator and optional remote indication contact

Commercial data

Item number	1461301
Packing unit	1 pc
Minimum order quantity	1 pc
Product key	CL11D2
GTIN	4063151851385
Weight per piece (including packing)	516.5 g
Weight per piece (excluding packing)	478 g
Country of origin	CN

FLT-MB-T1-264/25-3+0-UT - Type 1+2+3 combined lightning current and surge arresters

1461301

<https://www.phoenixcontact.com/us/products/1461301>

Technical data

Product properties

Product type	Combination type
IEC test classification	I + II + III T1 + T2 + T3
EN type	T1 + T2 + T3
IEC power supply system	TN-C
Type	DIN rail module, one-piece
Surge protection fault message	optical
Number of ports	One

Insulation characteristics

Overvoltage category	IV
Pollution degree	2

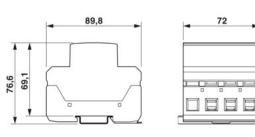
Electrical properties

Nominal frequency f_N	50 Hz (60 Hz)
-------------------------	---------------

Connection data

Connection method	Screw connection
Screw thread	M5
Tightening torque	3 Nm (2,5 mm ² ... 16 mm ²) 4.5 Nm (25 mm ² ... 35 mm ²)
Stripping length	18 mm
Conductor cross-section flexible	2.5 mm ² ... 25 mm ²
Conductor cross-section rigid	2.5 mm ² ... 35 mm ²
Conductor cross-section AWG	13 ... 2
Connection method	Fork-type cable lug
Conductor cross-section flexible	2.5 mm ² ... 25 mm ²

Dimensions

Dimensional drawing	
Width	72 mm
Height	89.8 mm
Depth	76.6 mm (incl. DIN rail 7.5 mm)
Horizontal pitch	4 Div.

Material specifications

FLT-MB-T1-264/25-3+0-UT - Type 1+2+3 combined lightning current and surge arresters



1461301

<https://www.phoenixcontact.com/us/products/1461301>

Color	light gray (RAL 7035)
Flammability rating according to UL 94	V-0
CTI value of material	600
Insulating material	PBT
Material group	I
Housing material	PBT

Mechanical properties

Mechanical data

Open side panel	No
-----------------	----

Protective circuit

Mode of protection	L-PEN
Nominal voltage U_N	240/415 V AC (TN-C)
Nominal frequency f_N	50 Hz (60 Hz)
Maximum continuous operating voltage U_C	264 V AC
Rated load current I_L	80 A (< 55 °C)
Protective conductor current I_{PE}	≤ 0.01 mA
Nominal discharge current I_n (8/20) μs	25 kA
Combination wave U_{OC}	6 kV
Impulse discharge current (10/350) μs, charge	12.5 As
Impulse discharge current (10/350) μs, specific energy	156 kJ/Ω
Impulse discharge current (10/350) μs, peak value I_{imp}	25 kA
Total discharge current I_{Total} (10/350) μs	75 kA
Follow current interrupt rating I_{fi}	50 kA
Short-circuit current rating I_{SCCR}	50 kA
Voltage protection level U_p	≤ 1.7 kV
Residual voltage U_{res}	≤ 1.7 kV (at I_n) ≤ 1.4 kV (at 12.5 kA) ≤ 1.1 kV (at 5 kA) ≤ 1.1 kV (at 2.5 kA)
Front-of-wave sparkover voltage at 6 kV (1.2/50) μs	≤ 1.7 kV
TOV behavior at U_T	457 V AC (5 s / withstand mode) 457 V AC (120 min / withstand mode)
Response time t_A	≤ 100 ns
Max. backup fuse with V-type through wiring	80 A (gG)
Max. backup fuse with branch wiring	315 A (gG)

Environmental and real-life conditions

Ambient conditions

Degree of protection	IP20 (Installed)
Ambient temperature (operation)	-40 °C ... 85 °C

FLT-MB-T1-264/25-3+0-UT - Type 1+2+3 combined lightning current and surge arresters



1461301

<https://www.phoenixcontact.com/us/products/1461301>

Ambient temperature (storage/transport)	-40 °C ... 85 °C
Altitude	≤ 5000 m
Permissible humidity (operation)	5 % ... 95 %
Shock (operation)	2g (Half-sine / 11 ms / 3x ±X, ±Y, ±Z)
Vibration (operation)	0,5g (9 ... 200 Hz / 2.5 h / X, Y, Z)

Standards and regulations

Standards/specifications	IEC 61643-11
Note	2011
Standards/specifications	EN 61643-11
Note	2012

Mounting

Mounting type	DIN rail: 35 mm
---------------	-----------------

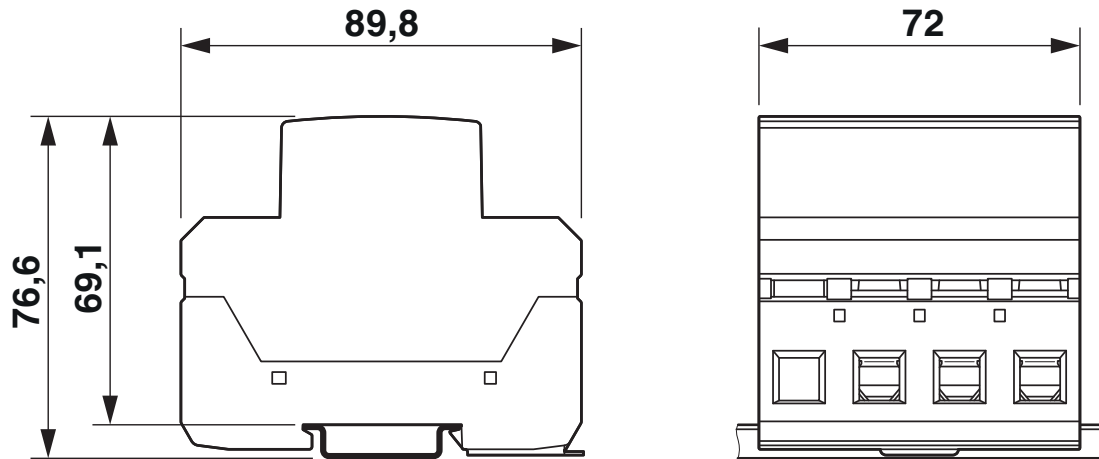
FLT-MB-T1-264/25-3+0-UT - Type 1+2+3 combined lightning current and surge arresters

1461301

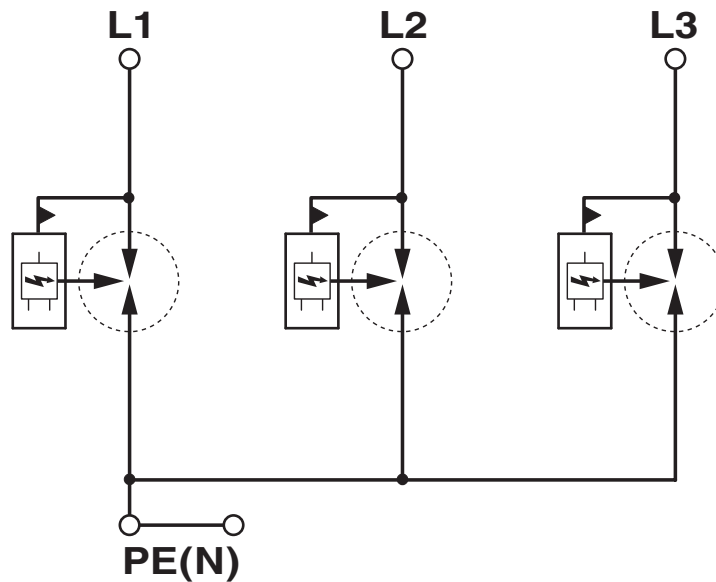
<https://www.phoenixcontact.com/us/products/1461301>

Drawings

Dimensional drawing



Circuit diagram



FLT-MB-T1-264/25-3+0-UT - Type 1+2+3 combined lightning current and surge arresters



1461301

<https://www.phoenixcontact.com/us/products/1461301>

Approvals

To download certificates, visit the product detail page: <https://www.phoenixcontact.com/us/products/1461301>



KEMA-KEUR

Approval ID: 71-136866



IECEE CB Scheme

Approval ID: NL-109225

CCA

Approval ID: NTR NL-8051

FLT-MB-T1-264/25-3+0-UT - Type 1+2+3 combined lightning current and surge arresters



1461301

<https://www.phoenixcontact.com/us/products/1461301>

Classifications

ECLASS

ECLASS-13.0	27171201
ECLASS-15.0	27171201

ETIM

ETIM 10.0	EC000381
-----------	----------

UNSPSC

UNSPSC 21.0	39121600
-------------	----------

FLT-MB-T1-264/25-3+0-UT - Type 1+2+3 combined lightning current and surge arresters



1461301

<https://www.phoenixcontact.com/us/products/1461301>

Environmental product compliance

EU RoHS

Fulfills EU RoHS substance requirements	Yes, No exemptions
---	--------------------

China RoHS

Environment friendly use period (EFUP)	EFUP-E
	No hazardous substances above the limits

EU REACH SVHC

REACH candidate substance (CAS No.)	No substance above 0.1 wt%
-------------------------------------	----------------------------

Phoenix Contact 2026 © - all rights reserved
<https://www.phoenixcontact.com>

Phoenix Contact USA
586 Fulling Mill Road
Middletown, PA 17057, United States
(+717) 944-1300
info@phoenixcon.com