

HC-B 16-TMB-100/O1STM32G-EEE - Housing



1460369

<https://www.phoenixcontact.com/us/products/1460369>

Please be informed that the data shown in this PDF document is generated from our online catalog. Please find the complete data in the user documentation. Our general terms of use for downloads are valid.



HEAVYCON ADVANCE B16 sleeve housing, with bayonet locking (Allen screw), salt water resistant aluminum, height: 100 mm, with 1 x M32 thread, straight cable outlet, without surface; conductive seal (EMC properties)

Commercial data

Item number	1460369
Packing unit	10 pc
Minimum order quantity	1 pc
Sales key	BF58
Product key	AF7AAA
GTIN	4046356592680
Weight per piece (including packing)	401.1 g
Weight per piece (excluding packing)	401.1 g
Customs tariff number	85389099
Country of origin	DE

1460369

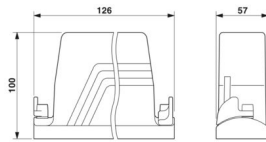
<https://www.phoenixcontact.com/us/products/1460369>

Technical data

Product properties

Product type	Housing with bayonet locking
Housing type	Sleeve housing
Application	Offshore/EMC
Type	B16
No. of cable outlets	1
Type of the screw connection	1x M32
Fixing screws	M6
Shielded	yes
Cable outlet	straight
Pg screw connection	none

Dimensions

Dimensional drawing	
Width	57 mm
Height	100 mm
Length	126 mm

Material specifications

Seal material	NBR, conductive
Housing material	Die-cast aluminum, salt water resistant
Housing surface material	uncoated
Locking latch material	Stainless steel

Environmental and real-life conditions

Ambient conditions

Degree of protection	IP66 IP67
Ambient temperature (operation)	-40 °C ... 125 °C

Mechanical properties

Mechanical data

Type of the screw connection	1x M32
Locking type	Screw

Mounting

Assembly note	If insulating powder coating is present on the control cabinet
---------------	--

HC-B 16-TMB-100/O1STM32G-EEE - Housing



1460369

<https://www.phoenixcontact.com/us/products/1460369>

	panel, it should be removed from the profile gasket area in order to ensure optimum shielding.
Fixing screws	M6

HC-B 16-TMB-100/O1STM32G-EEE - Housing



1460369

<https://www.phoenixcontact.com/us/products/1460369>

Drawings

Dimensional drawing



Dimensional drawing

Dimensional drawing



Mounting cutout

1) when M4 screws are used

2) when self-tapping Torx® screws are used (Torx® 20, M4)

HC-B 16-TMB-100/O1STM32G-EEE - Housing



1460369

<https://www.phoenixcontact.com/us/products/1460369>

Approvals

To download certificates, visit the product detail page: <https://www.phoenixcontact.com/us/products/1460369>



EAC

Approval ID: RU C-DE.AI30.B.01102

1460369

<https://www.phoenixcontact.com/us/products/1460369>

Classifications

ECLASS

ECLASS-13.0	27440202
ECLASS-15.0	27440202

ETIM

ETIM 10.0	EC000437
-----------	----------

UNSPSC

UNSPSC 21.0	31261500
-------------	----------

HC-B 16-TMB-100/O1STM32G-EEE - Housing



1460369

<https://www.phoenixcontact.com/us/products/1460369>

Environmental product compliance

EU RoHS

Fulfills EU RoHS substance requirements	Yes, No exemptions
---	--------------------

China RoHS

Environment friendly use period (EFUP)	EFUP-E
	No hazardous substances above the limits

EU REACH SVHC

REACH candidate substance (CAS No.)	No substance above 0.1 wt%
-------------------------------------	----------------------------

Phoenix Contact 2026 © - all rights reserved
<https://www.phoenixcontact.com>

Phoenix Contact USA
586 Fulling Mill Road
Middletown, PA 17057, United States
(+717) 944-1300
info@phoenixcon.com