

# HC-B 6-TMB-100/O1STM25G-EEE - Housing



1460363

<https://www.phoenixcontact.com/us/products/1460363>

Please be informed that the data shown in this PDF document is generated from our online catalog. Please find the complete data in the user documentation. Our general terms of use for downloads are valid.



HEAVYCON ADVANCE B6 sleeve housing, with bayonet locking (Allen screw), salt water resistant aluminum, height: 100 mm, with 1 x M25 thread, straight cable outlet, without surface; conductive seal (EMC properties)

## Commercial data

Item number	1460363
Packing unit	10 pc
Minimum order quantity	1 pc
Sales key	BF58
Product key	AF7AAA
GTIN	4046356592628
Weight per piece (including packing)	316.9 g
Weight per piece (excluding packing)	316.9 g
Customs tariff number	85389099
Country of origin	DE

# HC-B 6-TMB-100/O1STM25G-EEE - Housing



1460363

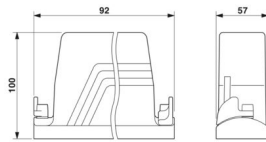
<https://www.phoenixcontact.com/us/products/1460363>

## Technical data

### Product properties

Product type	Housing with bayonet locking
Housing type	Sleeve housing
Application	Offshore/EMC
Type	B6
No. of cable outlets	1
Type of the screw connection	1x M25
Fixing screws	M6
Shielded	yes
Cable outlet	straight
Pg screw connection	none

### Dimensions

Dimensional drawing	
Width	57 mm
Height	100 mm
Length	92 mm

### Material specifications

Seal material	NBR, conductive
Housing material	Die-cast aluminum, salt water resistant
Housing surface material	uncoated
Locking latch material	Stainless steel

### Environmental and real-life conditions

#### Ambient conditions

Degree of protection	IP66
	IP67
Ambient temperature (operation)	-40 °C ... 125 °C

### Mechanical properties

#### Mechanical data

Type of the screw connection	1x M25
Locking type	Screw

### Mounting

Assembly note	If insulating powder coating is present on the control cabinet
---------------	--

# HC-B 6-TMB-100/O1STM25G-EEE - Housing



1460363

<https://www.phoenixcontact.com/us/products/1460363>

	panel, it should be removed from the profile gasket area in order to ensure optimum shielding.
Fixing screws	M6

# HC-B 6-TMB-100/O1STM25G-EEE - Housing



1460363

<https://www.phoenixcontact.com/us/products/1460363>

## Drawings

Dimensional drawing



Dimensional drawing

Dimensional drawing



### Mounting cutout

1) when M4 screws are used

2) when self-tapping Torx® screws are used (Torx® 20, M4)

# HC-B 6-TMB-100/O1STM25G-EEE - Housing



1460363

<https://www.phoenixcontact.com/us/products/1460363>

## Approvals

To download certificates, visit the product detail page: <https://www.phoenixcontact.com/us/products/1460363>



**EAC**

Approval ID: RU C-DE.AI30.B.01102

# HC-B 6-TMB-100/O1STM25G-EEE - Housing



1460363

<https://www.phoenixcontact.com/us/products/1460363>

## Classifications

### ECLASS

ECLASS-13.0	27440202
ECLASS-15.0	27440202

### ETIM

ETIM 10.0	EC000437
-----------	----------

### UNSPSC

UNSPSC 21.0	31261500
-------------	----------

# HC-B 6-TMB-100/O1STM25G-EEE - Housing



1460363

<https://www.phoenixcontact.com/us/products/1460363>

## Environmental product compliance

### EU RoHS

Fulfills EU RoHS substance requirements	Yes, No exemptions
---	--------------------

### China RoHS

Environment friendly use period (EFUP)	EFUP-E
	No hazardous substances above the limits

### EU REACH SVHC

REACH candidate substance (CAS No.)	No substance above 0.1 wt%
-------------------------------------	----------------------------

Phoenix Contact 2026 © - all rights reserved  
<https://www.phoenixcontact.com>

Phoenix Contact USA  
586 Fulling Mill Road  
Middletown, PA 17057, United States  
(+717) 944-1300  
[info@phoenixcon.com](mailto:info@phoenixcon.com)