

HC-B 6-TMS-100/O1STM25S-EEE - Housing



1460356

<https://www.phoenixcontact.com/us/products/1460356>

Please be informed that the data shown in this PDF document is generated from our online catalog. Please find the complete data in the user documentation. Our general terms of use for downloads are valid.



HEAVYCON ADVANCE sleeve housing B6, with high-grade steel screw locking (hexagonal socket-head), salt water resistant aluminum, height 100 mm, with thread, 1 x M25, lateral cable outlet, without surface; conductive seal (EMC properties)

Commercial data

Item number	1460356
Packing unit	10 pc
Minimum order quantity	1 pc
Product key	AF7AAA
GTIN	4046356592772
Weight per piece (including packing)	305.68 g
Weight per piece (excluding packing)	305.68 g
Country of origin	DE

HC-B 6-TMS-100/O1STM25S-EEE - Housing



1460356

<https://www.phoenixcontact.com/us/products/1460356>

Technical data

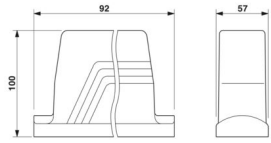
Product properties

Product type	Housing with screw locking
Housing type	Sleeve housing
Application	Offshore/EMC
Type	B6
No. of cable outlets	1
Type of the screw connection	1x M25
Fixing screws	M6 (screw head: 5 mm Allen screw)
Shielded	yes
Cable outlet	lateral
Pg screw connection	none

Connection data

Tightening torque	3 Nm (Locking screw)
-------------------	----------------------

Dimensions

Dimensional drawing	
Width	57 mm
Height	100 mm
Length	92 mm

Installation dimensions

Width of the assembly cutout	35 mm
Length of the assembly cutout	52 mm

Material specifications

Seal material	NBR, conductive
Housing material	Die-cast aluminum, corrosion resistant
Housing surface material	uncoated
Locking latch material	Stainless steel

Environmental and real-life conditions

Ambient conditions

Degree of protection	IP66
	IP68 (0.2 bar/24 h)
	IP69K
	4 (NEMA 250)

HC-B 6-TMS-100/O1STM25S-EEE - Housing



1460356

<https://www.phoenixcontact.com/us/products/1460356>

Enclosure rating (NEMA)	4X (NEMA 250)
	6P (NEMA 250)
	12 (NEMA 250)
Ambient temperature (operation)	-40 °C ... 125 °C

Mechanical properties

Mechanical data

Type of the screw connection	1x M25
Locking type	Screw

Mounting

Assembly note	In order to guarantee that the protective conductor contact functions even when plugged in at an angle, the two panel-mount flanges must have sufficient electrical contact with the metal mounting panel.
	To ensure optimum shielding, any insulating power coating must be removed from the profile gasket area on the control cabinet panel. Tightening torque of locking screw: 3 Nm.
Fixing screws	M6 (screw head: 5 mm Allen screw)

HC-B 6-TMS-100/O1STM25S-EEE - Housing

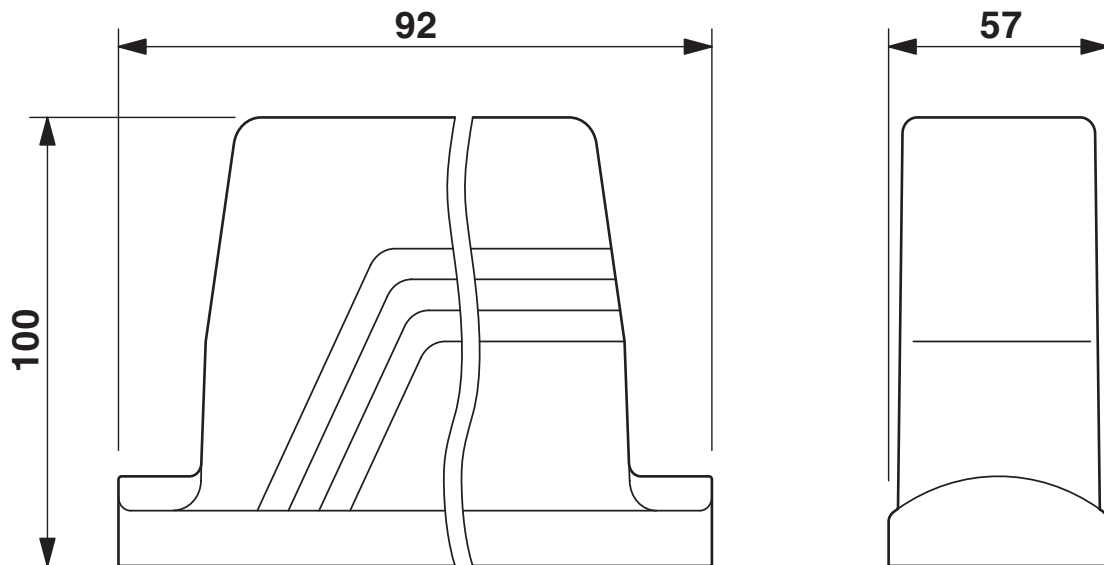


1460356

<https://www.phoenixcontact.com/us/products/1460356>

Drawings

Dimensional drawing



Dimensional drawing

Dimensional drawing



Mounting cutout

1) when M4 screws are used

2) when self-tapping Torx® screws are used (Torx® 20, M4)

HC-B 6-TMS-100/O1STM25S-EEE - Housing



1460356

<https://www.phoenixcontact.com/us/products/1460356>

Classifications

ECLASS

ECLASS-13.0	27440202
ECLASS-15.0	27440202

HC-B 6-TMS-100/O1STM25S-EEE - Housing



1460356

<https://www.phoenixcontact.com/us/products/1460356>

Environmental product compliance

EU RoHS

Fulfills EU RoHS substance requirements	Yes, No exemptions
---	--------------------

EU REACH SVHC

REACH candidate substance (CAS No.)	No substance above 0.1 wt%
-------------------------------------	----------------------------

Phoenix Contact 2026 © - all rights reserved

<https://www.phoenixcontact.com>

Phoenix Contact USA
586 Fulling Mill Road
Middletown, PA 17057, United States
(+717) 944-1300
info@phoenixcon.com