

HC-B 24-KML-H-O1M25 - Housing

1460322

<https://www.phoenixcontact.com/us/products/1460322>

Please be informed that the data shown in this PDF document is generated from our online catalog. Please find the complete data in the user documentation. Our general terms of use for downloads are valid.



HEAVYCON B24 coupling housing, with single locking latch, height: 80.5 mm, with 1 x M25 gland, straight cable outlet

Commercial data

Item number	1460322
Packing unit	1 pc
Note	Made to order (non-returnable)
Sales key	BF55
Product key	AF7AAC
GTIN	4046356794756
Weight per piece (including packing)	305.28 g
Weight per piece (excluding packing)	300.2 g
Customs tariff number	85389099
Country of origin	DE

HC-B 24-KML-H-O1M25 - Housing

1460322

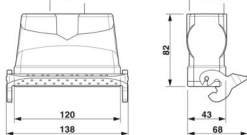
<https://www.phoenixcontact.com/us/products/1460322>

Technical data

Product properties

Product type	Housing with locking latch
Housing type	Coupling housings
No. of cable outlets	1
Type of the screw connection	1x M25
Cable outlet	straight
Pg screw connection	none

Dimensions

Dimensional drawing	
Width	43 mm
Height	82 mm
Length	120 mm

Material specifications

Seal material	NBR
Housing material	Die-cast aluminum
Housing surface material	Powder-coated, gray
Locking latch material	Stainless steel, handle: PA

Mechanical properties

Mechanical data

Type of the screw connection	1x M25
------------------------------	--------

Mounting

Assembly note	For half and full screw connections
---------------	-------------------------------------

Environmental and real-life conditions

Ambient conditions

Degree of protection	IP65
Ambient temperature (operation)	-40 °C ... 125 °C

HC-B 24-KML-H-O1M25 - Housing

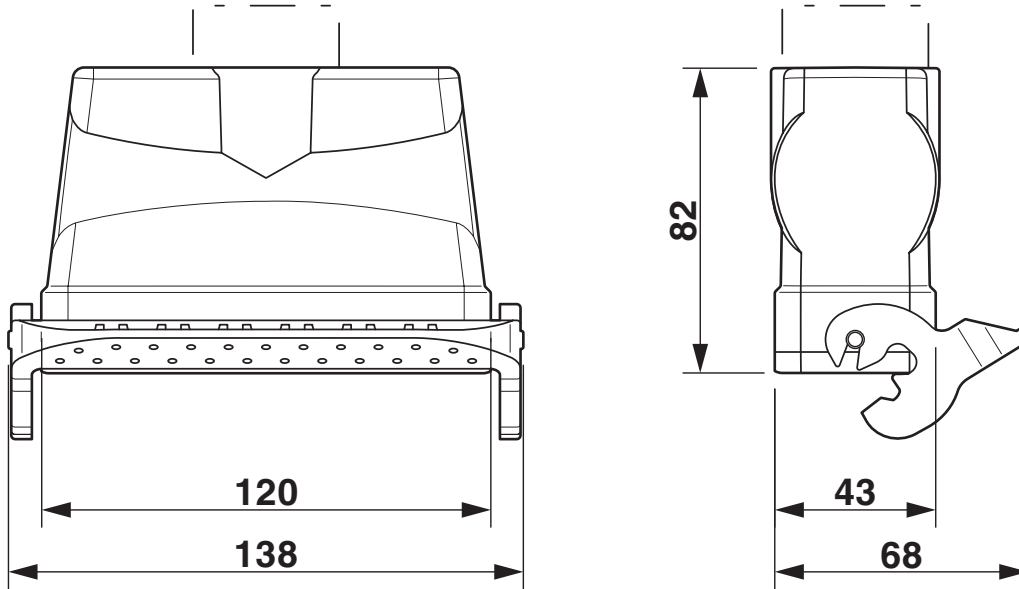


1460322

<https://www.phoenixcontact.com/us/products/1460322>

Drawings

Dimensional drawing



Dimensional drawing

HC-B 24-KML-H-O1M25 - Housing



1460322

<https://www.phoenixcontact.com/us/products/1460322>

Classifications

ECLASS

ECLASS-13.0	27440202
ECLASS-15.0	27440202

HC-B 24-KML-H-O1M25 - Housing



1460322

<https://www.phoenixcontact.com/us/products/1460322>

Environmental product compliance

EU RoHS

Fulfills EU RoHS substance requirements	Yes, No exemptions
---	--------------------

China RoHS

Environment friendly use period (EFUP)	EFUP-E
	No hazardous substances above the limits

EU REACH SVHC

REACH candidate substance (CAS No.)	No substance above 0.1 wt%
-------------------------------------	----------------------------

Phoenix Contact 2026 © - all rights reserved
<https://www.phoenixcontact.com>

Phoenix Contact USA
586 Fulling Mill Road
Middletown, PA 17057, United States
(+717) 944-1300
info@phoenixcon.com