

HC-B 16-KMQ-H-M1M32 - Housing

1460310

<https://www.phoenixcontact.com/us/products/1460310>

Please be informed that the data shown in this PDF document is generated from our online catalog. Please find the complete data in the user documentation. Our general terms of use for downloads are valid.



HEAVYCON B16 coupling housing, with double locking latch, height: 82 mm, with 1 x M32 screw connection, straight cable outlet

Commercial data

Item number	1460310
Packing unit	10 pc
Minimum order quantity	1 pc
Product key	AF7AAC
GTIN	4046356794695
Weight per piece (including packing)	311 g
Weight per piece (excluding packing)	311 g
Country of origin	DE

HC-B 16-KMQ-H-M1M32 - Housing

1460310

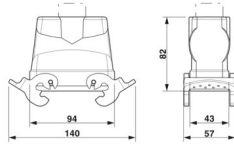
<https://www.phoenixcontact.com/us/products/1460310>

Technical data

Product properties

Product type	Housing with locking latch
Housing type	Coupling housings
Type	B16
No. of cable outlets	1
Type of the screw connection	1x M32
Cable outlet	straight
Pg screw connection	with

Dimensions

Dimensional drawing	
Width	43 mm
Height	82 mm
Length	94 mm
Wrench size, union nut	32 mm

Material specifications

Seal material	NBR
Housing material	Die-cast aluminum
Housing surface material	Powder-coated, gray
Locking latch material	Stainless steel, handle: PA

Mechanical properties

Mechanical data

Type of the screw connection	1x M32
------------------------------	--------

Cable/line

External cable diameter	16 mm ... 21 mm
-------------------------	-----------------

Connection data

External cable diameter	16 mm ... 21 mm
-------------------------	-----------------

Environmental and real-life conditions

Ambient conditions

Degree of protection	IP65
Ambient temperature (operation)	-40 °C ... 125 °C

HC-B 16-KMQ-H-M1M32 - Housing

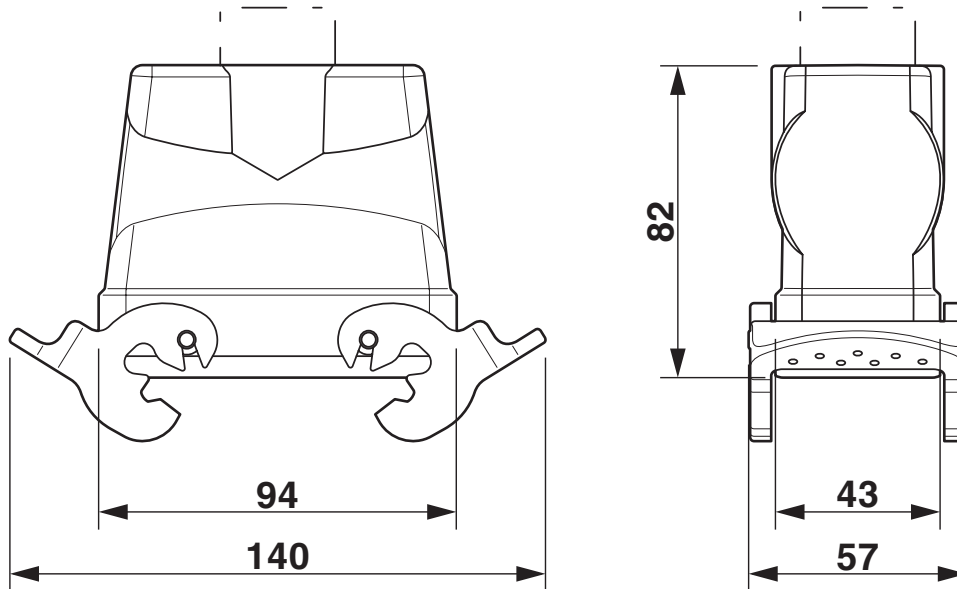
1460310

<https://www.phoenixcontact.com/us/products/1460310>



Drawings

Dimensional drawing



Dimensional drawing

HC-B 16-KMQ-H-M1M32 - Housing



1460310

<https://www.phoenixcontact.com/us/products/1460310>

Classifications

ECLASS

ECLASS-13.0	27440202
ECLASS-15.0	27440202

UNSPSC

UNSPSC 21.0	31261501
-------------	----------

HC-B 16-KMQ-H-M1M32 - Housing



1460310

<https://www.phoenixcontact.com/us/products/1460310>

Environmental product compliance

China RoHS

Environment friendly use period (EFUP)	EFUP-E
	No hazardous substances above the limits

EU REACH SVHC

REACH candidate substance (CAS No.)	No substance above 0.1 wt%
-------------------------------------	----------------------------

Phoenix Contact 2026 © - all rights reserved
<https://www.phoenixcontact.com>

Phoenix Contact USA
586 Fulling Mill Road
Middletown, PA 17057, United States
(+717) 944-1300
info@phoenixcon.com