

# HC-B 24-TMQ-H-M1M32S - Housing



1460254

<https://www.phoenixcontact.com/us/products/1460254>

Please be informed that the data shown in this PDF document is generated from our online catalog. Please find the complete data in the user documentation. Our general terms of use for downloads are valid.



HEAVYCON B24 sleeve housing, with double locking latch, height: 72 mm, with 1 x M32 screw connection, lateral cable outlet

## Commercial data

Item number	1460254
Packing unit	10 pc
Minimum order quantity	1 pc
Product key	AF7AAC
GTIN	4046356794398
Weight per piece (including packing)	344.19 g
Weight per piece (excluding packing)	344.19 g
Country of origin	DE

# HC-B 24-TMQ-H-M1M32S - Housing

1460254

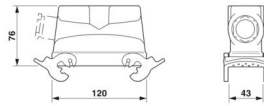
<https://www.phoenixcontact.com/us/products/1460254>

## Technical data

### Product properties

Product type	Housing with locking latch
Housing type	Sleeve housing
Type	B24
No. of cable outlets	1
Type of the screw connection	1x M32
Cable outlet	lateral
Pg screw connection	with

### Dimensions

Dimensional drawing	
Width	43 mm
Height	76 mm
Length	120 mm
Wrench size, union nut	32 mm

### Material specifications

Material Screw connection	Brass, nickel-plated
Seal material Cable seal	NBR
Housing material	Die-cast aluminum
Housing surface material	Powder-coated, gray
Locking latch material	High-grade steel, handle: PA-GF

### Mechanical properties

#### Mechanical data

Type of the screw connection	1x M32
------------------------------	--------

### Cable/line

External cable diameter	16 mm ... 21 mm
-------------------------	-----------------

### Connection data

External cable diameter	16 mm ... 21 mm
-------------------------	-----------------

### Environmental and real-life conditions

#### Ambient conditions

Degree of protection	IP65
----------------------	------

# HC-B 24-TMQ-H-M1M32S - Housing



1460254

<https://www.phoenixcontact.com/us/products/1460254>

Ambient temperature (operation)

-40 °C ... 125 °C

# HC-B 24-TMQ-H-M1M32S - Housing

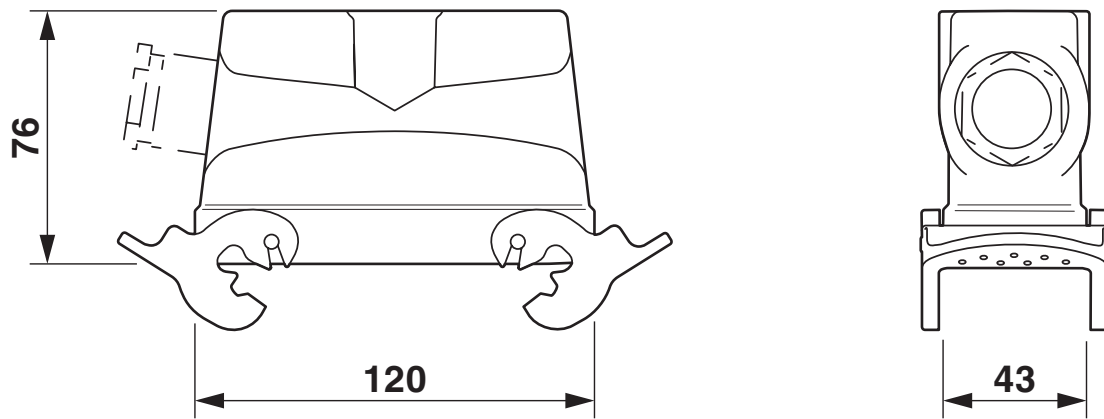
1460254

<https://www.phoenixcontact.com/us/products/1460254>



## Drawings

Dimensional drawing



Dimensional drawing

# HC-B 24-TMQ-H-M1M32S - Housing



1460254

<https://www.phoenixcontact.com/us/products/1460254>

## Classifications

### ECLASS

ECLASS-13.0	27440202
ECLASS-15.0	27440202

### UNSPSC

UNSPSC 21.0	31261501
-------------	----------

# HC-B 24-TMQ-H-M1M32S - Housing



1460254

<https://www.phoenixcontact.com/us/products/1460254>

## Environmental product compliance

### China RoHS

Environment friendly use period (EFUP)	EFUP-E
	No hazardous substances above the limits

### EU REACH SVHC

REACH candidate substance (CAS No.)	No substance above 0.1 wt%
-------------------------------------	----------------------------

Phoenix Contact 2026 © - all rights reserved  
<https://www.phoenixcontact.com>

Phoenix Contact USA  
586 Fulling Mill Road  
Middletown, PA 17057, United States  
(+717) 944-1300  
[info@phoenixcon.com](mailto:info@phoenixcon.com)