

HC-B 10-TMQ-N-M1M20G - Housing



1460185

<https://www.phoenixcontact.com/us/products/1460185>

Please be informed that the data shown in this PDF document is generated from our online catalog. Please find the complete data in the user documentation. Our general terms of use for downloads are valid.



HEAVYCON B10 sleeve housing, with double locking latch, height: 56 mm, with 1 x M20 screw connection, straight cable outlet

Commercial data

Item number	1460185
Packing unit	10 pc
Minimum order quantity	1 pc
Product key	AF7AAC
GTIN	4046356794114
Weight per piece (including packing)	203.5 g
Weight per piece (excluding packing)	203.5 g
Country of origin	DE

HC-B 10-TMQ-N-M1M20G - Housing

1460185

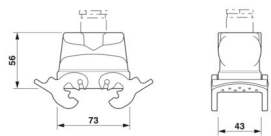
<https://www.phoenixcontact.com/us/products/1460185>

Technical data

Product properties

Product type	Housing with locking latch
Housing type	Sleeve housing
Type	B10
No. of cable outlets	1
Type of the screw connection	1x M20
Cable outlet	straight
Pg screw connection	with

Dimensions

Dimensional drawing	
Width	43 mm
Length	73 mm
Wrench size, union nut	20 mm

Material specifications

Material Screw connection	Brass, nickel-plated
Seal material Cable seal	NBR
Housing material	Die-cast aluminum
Housing surface material	Powder-coated, gray
Locking latch material	Stainless steel, handle: PA

Mechanical properties

Mechanical data

Type of the screw connection	1x M20
------------------------------	--------

Cable/line

External cable diameter	5 mm ... 12 mm
-------------------------	----------------

Connection data

External cable diameter	5 mm ... 12 mm
-------------------------	----------------

Environmental and real-life conditions

Ambient conditions

Degree of protection	IP65
Ambient temperature (operation)	-40 °C ... 125 °C

HC-B 10-TMQ-N-M1M20G - Housing

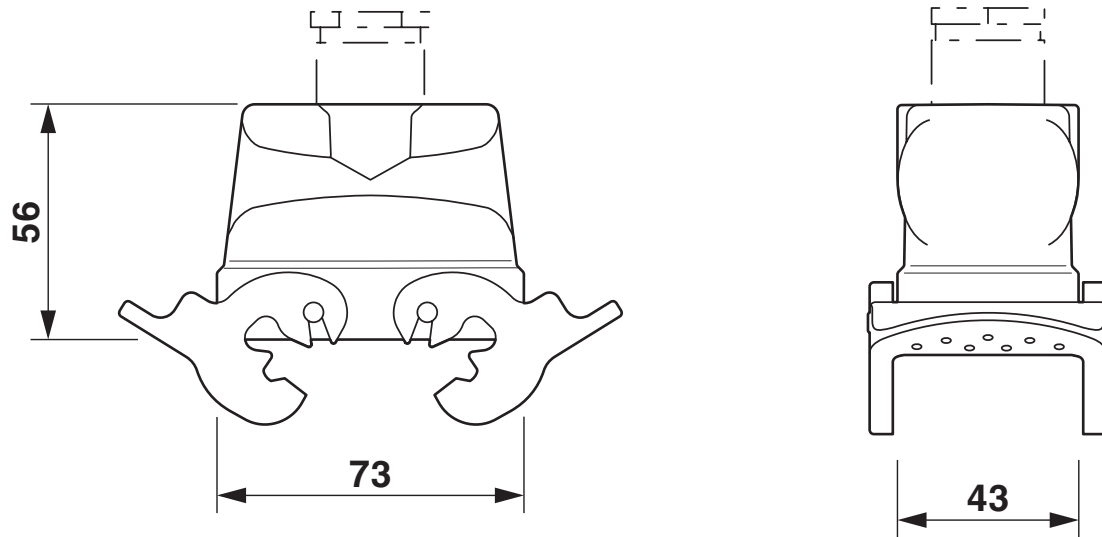
1460185

<https://www.phoenixcontact.com/us/products/1460185>



Drawings

Dimensional drawing



Dimensional drawing

HC-B 10-TMQ-N-M1M20G - Housing



1460185

<https://www.phoenixcontact.com/us/products/1460185>

Approvals

To download certificates, visit the product detail page: <https://www.phoenixcontact.com/us/products/1460185>



EAC

Approval ID: RU C-DE.AI30.B.01102

HC-B 10-TMQ-N-M1M20G - Housing



1460185

<https://www.phoenixcontact.com/us/products/1460185>

Classifications

ECLASS

ECLASS-13.0	27440202
ECLASS-15.0	27440202

HC-B 10-TMQ-N-M1M20G - Housing



1460185

<https://www.phoenixcontact.com/us/products/1460185>

Environmental product compliance

EU RoHS

Fulfills EU RoHS substance requirements	Yes, No exemptions
---	--------------------

China RoHS

Environment friendly use period (EFUP)	EFUP-E
	No hazardous substances above the limits

EU REACH SVHC

REACH candidate substance (CAS No.)	No substance above 0.1 wt%
-------------------------------------	----------------------------

Phoenix Contact 2026 © - all rights reserved
<https://www.phoenixcontact.com>

Phoenix Contact USA
586 Fulling Mill Road
Middletown, PA 17057, United States
(+717) 944-1300
info@phoenixcon.com