

HC-B 16-SMQ-84/O2M40 - Housing

1460169

<https://www.phoenixcontact.com/us/products/1460169>

Please be informed that the data shown in this PDF document is generated from our online catalog. Please find the complete data in the user documentation. Our general terms of use for downloads are valid.



HEAVYCON B16 box mounting base, with double locking latch, height: 84 mm, with 2 x M40 glands

Commercial data

| | |
|--------------------------------------|---------------|
| Item number | 1460169 |
| Packing unit | 10 pc |
| Minimum order quantity | 1 pc |
| Product key | AF7AAC |
| GTIN | 4046356696661 |
| Weight per piece (including packing) | 383.2 g |
| Weight per piece (excluding packing) | 350 g |
| Country of origin | DE |

HC-B 16-SMQ-84/O2M40 - Housing

1460169

<https://www.phoenixcontact.com/us/products/1460169>

Technical data

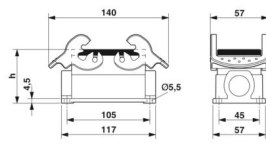
Notes

| | |
|---------|---|
| General | For contact inserts HC-B16, BB32, BBB40, D40, DD72, HS6, M, K |
|---------|---|

Product properties

| | |
|------------------------------|----------------------------|
| Product type | Housing with locking latch |
| Housing type | Surface mounting housing |
| Application | Standard |
| Type | B16 |
| No. of cable outlets | 2 |
| Type of the screw connection | 2x M40 |
| Shielded | no |
| Cable outlet | lateral |
| Pg screw connection | none |

Dimensions

| | |
|---------------------|--|
| Dimensional drawing |  |
| Width | 57 mm |
| Height | 84 mm |
| Length | 117 mm |

Material specifications

| | |
|--------------------------|-----------------------------|
| Seal material | NBR |
| Housing material | Die-cast aluminum |
| Housing surface material | Powder-coated, gray |
| Locking latch material | Stainless steel, handle: PA |

Mechanical properties

Mechanical data

| | |
|------------------------------|--------|
| Type of the screw connection | 2x M40 |
| Locking type | Latch |

Environmental and real-life conditions

Ambient conditions

| | |
|---------------------------------|-------------------|
| Degree of protection | IP65 |
| Ambient temperature (operation) | -40 °C ... 125 °C |

HC-B 16-SMQ-84/O2M40 - Housing

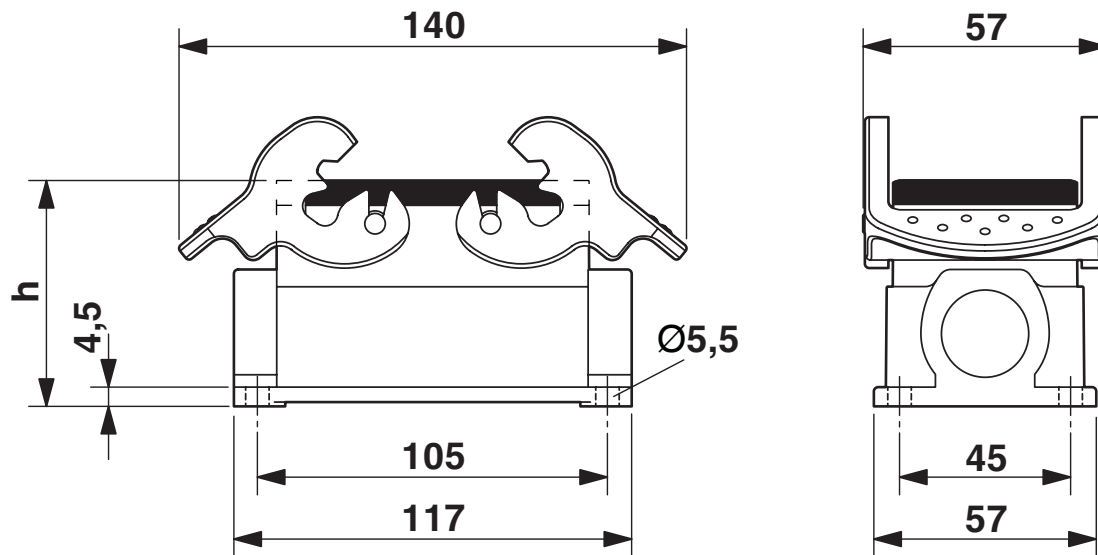


1460169

<https://www.phoenixcontact.com/us/products/1460169>

Drawings

Dimensional drawing



Dimensional drawing

HC-B 16-SMQ-84/O2M40 - Housing



1460169

<https://www.phoenixcontact.com/us/products/1460169>

Classifications

ECLASS

| | |
|-------------|----------|
| ECLASS-13.0 | 27440202 |
| ECLASS-15.0 | 27440202 |

UNSPSC

| | |
|-------------|----------|
| UNSPSC 21.0 | 31261501 |
|-------------|----------|

HC-B 16-SMQ-84/O2M40 - Housing



1460169

<https://www.phoenixcontact.com/us/products/1460169>

Environmental product compliance

China RoHS

| | |
|--|--|
| Environment friendly use period (EFUP) | EFUP-E |
| | No hazardous substances above the limits |

EU REACH SVHC

| | |
|-------------------------------------|----------------------------|
| REACH candidate substance (CAS No.) | No substance above 0.1 wt% |
|-------------------------------------|----------------------------|

Phoenix Contact 2026 © - all rights reserved
<https://www.phoenixcontact.com>

Phoenix Contact USA
586 Fulling Mill Road
Middletown, PA 17057, United States
(+717) 944-1300
info@phoenixcon.com