

# HC-B 6-KML-N-O1PG13.5 - Housing



1460168

<https://www.phoenixcontact.com/us/products/1460168>

Please be informed that the data shown in this PDF document is generated from our online catalog. Please find the complete data in the user documentation. Our general terms of use for downloads are valid.



HEAVYCON B6 coupling housing, with single locking latch, height: 62 mm, with 1 x Pg13.5 gland, straight cable outlet

## Commercial data

Item number	1460168
Packing unit	10 pc
Minimum order quantity	1 pc
Product key	AF7AAC
GTIN	4046356695114
Weight per piece (including packing)	158.96 g
Weight per piece (excluding packing)	158.96 g
Country of origin	DE

# HC-B 6-KML-N-O1PG13.5 - Housing

1460168

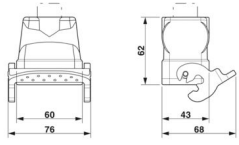
<https://www.phoenixcontact.com/us/products/1460168>

## Technical data

### Product properties

Product type	Housing with locking latch
Housing type	Coupling housings
Application	Standard
Type	B6
No. of cable outlets	1
Type of the screw connection	1x Pg13,5
Shielded	no
Cable outlet	straight
Pg screw connection	none

### Dimensions

Dimensional drawing	
Width	43 mm
Height	62 mm
Length	73 mm

### Material specifications

Seal material	NBR
Housing material	Die-cast aluminum
Housing surface material	Powder-coated, gray
Locking latch material	Stainless steel, handle: PA

### Mechanical properties

#### Mechanical data

Type of the screw connection	1x Pg13,5
Locking type	Latch

### Environmental and real-life conditions

#### Ambient conditions

Degree of protection	IP65
Ambient temperature (operation)	-40 °C ... 125 °C

# HC-B 6-KML-N-O1PG13.5 - Housing

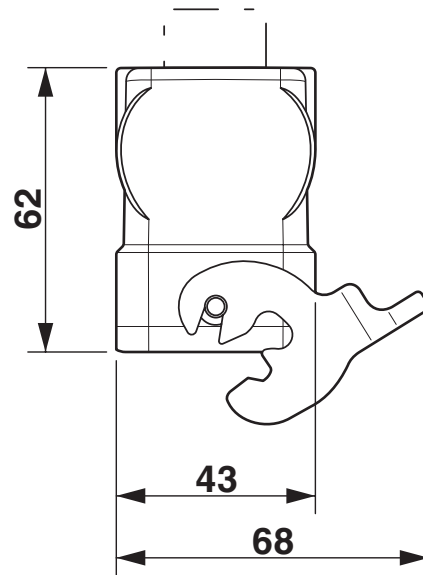
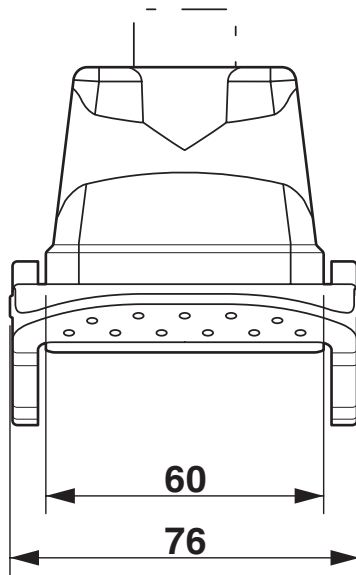
1460168

<https://www.phoenixcontact.com/us/products/1460168>



## Drawings

Dimensional drawing



Dimensional drawing

# HC-B 6-KML-N-O1PG13.5 - Housing



1460168

<https://www.phoenixcontact.com/us/products/1460168>

## Classifications

### ECLASS

ECLASS-13.0	27440202
ECLASS-15.0	27440202

### UNSPSC

UNSPSC 21.0	31261501
-------------	----------

# HC-B 6-KML-N-O1PG13.5 - Housing



1460168

<https://www.phoenixcontact.com/us/products/1460168>

## Environmental product compliance

### China RoHS

Environment friendly use period (EFUP)	EFUP-E
	No hazardous substances above the limits

### EU REACH SVHC

REACH candidate substance (CAS No.)	No substance above 0.1 wt%
-------------------------------------	----------------------------

Phoenix Contact 2026 © - all rights reserved  
<https://www.phoenixcontact.com>

Phoenix Contact USA  
586 Fulling Mill Road  
Middletown, PA 17057, United States  
(+717) 944-1300  
[info@phoenixcon.com](mailto:info@phoenixcon.com)