

HC-B 10-SMQ-56/O1M25 - Housing

1460152

<https://www.phoenixcontact.com/us/products/1460152>

Please be informed that the data shown in this PDF document is generated from our online catalog. Please find the complete data in the user documentation. Our general terms of use for downloads are valid.

Box mounting base, with double locking latch, height: 74 mm, with gland, 1 x M25



Commercial data

Item number	1460152
Packing unit	10 pc
Minimum order quantity	1 pc
Product key	AF7AAC
GTIN	4046356696630
Weight per piece (including packing)	22.22 g
Weight per piece (excluding packing)	22.22 g
Country of origin	DE

HC-B 10-SMQ-56/O1M25 - Housing

1460152

<https://www.phoenixcontact.com/us/products/1460152>

Technical data

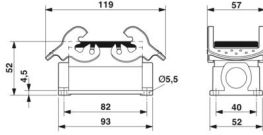
Notes

General	For contact inserts HC-B10, BB18, DD42, M, K8/24
---------	--

Product properties

Housing type	Surface mounting housing
Type	B10
No. of cable outlets	1
Type of the screw connection	1x M25
Protective cover	no
Cable outlet	lateral
Pg screw connection	none

Dimensions

Dimensional drawing	
Width	52 mm
Height	56 mm
Length	93 mm

Material specifications

Seal material	NBR
Housing material	Die-cast aluminum
Housing surface material	Powder-coated, gray
Locking latch material	Stainless steel, handle: PA

Mechanical properties

Mechanical data

Type of the screw connection	1x M25
Locking type	Latch

Mounting

Assembly note	For half and full screw connections
---------------	-------------------------------------

Environmental and real-life conditions

Ambient conditions

Degree of protection	IP65
Ambient temperature (operation)	-40 °C ... 125 °C

HC-B 10-SMQ-56/O1M25 - Housing

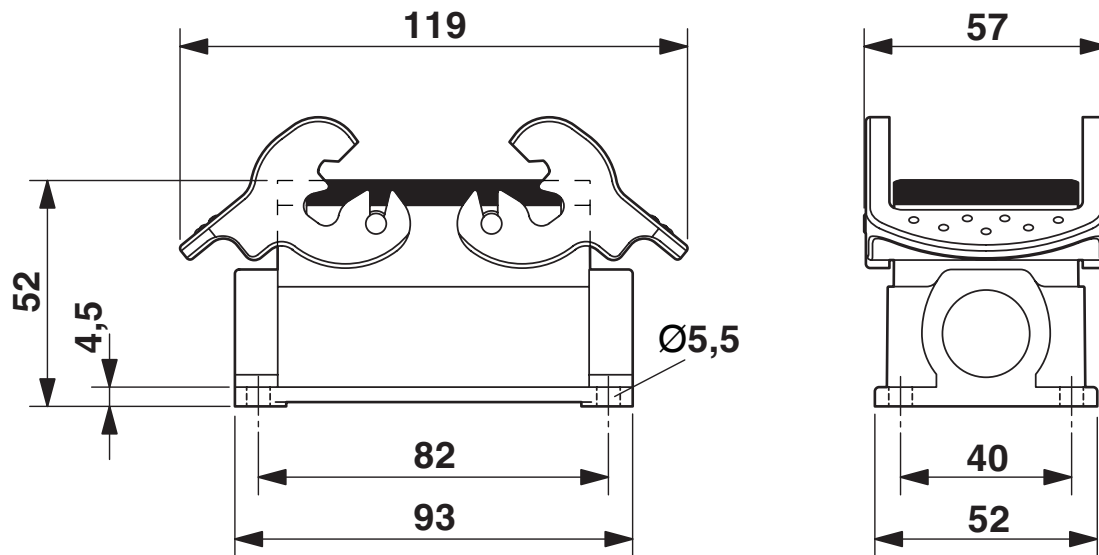
1460152

<https://www.phoenixcontact.com/us/products/1460152>



Drawings

Dimensional drawing



HC-B 10-SMQ-56/O1M25 - Housing



1460152

<https://www.phoenixcontact.com/us/products/1460152>

Classifications

ECLASS

ECLASS-13.0	27440202
ECLASS-15.0	27440202

HC-B 10-SMQ-56/O1M25 - Housing



1460152

<https://www.phoenixcontact.com/us/products/1460152>

Environmental product compliance

EU RoHS

Fulfills EU RoHS substance requirements	Yes, No exemptions
---	--------------------

EU REACH SVHC

REACH candidate substance (CAS No.)	No substance above 0.1 wt%
-------------------------------------	----------------------------

Phoenix Contact 2026 © - all rights reserved

<https://www.phoenixcontact.com>

Phoenix Contact USA
586 Fulling Mill Road
Middletown, PA 17057, United States
(+717) 944-1300
info@phoenixcon.com