

HC-B 10-TFQ-H-M1M25S - Housing



1460107

<https://www.phoenixcontact.com/us/products/1460107>

Please be informed that the data shown in this PDF document is generated from our online catalog. Please find the complete data in the user documentation. Our general terms of use for downloads are valid.



HEAVYCON sleeve housing B10, for double locking latch, height 72 mm, with screw connection 1x M25, lateral conductor exit

Commercial data

Item number	1460107
Packing unit	10 pc
Minimum order quantity	1 pc
Product key	AF7AAC
GTIN	4046356793506
Weight per piece (including packing)	208.29 g
Weight per piece (excluding packing)	208.29 g
Country of origin	DE

HC-B 10-TFQ-H-M1M25S - Housing

1460107

<https://www.phoenixcontact.com/us/products/1460107>

Technical data

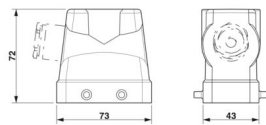
Notes

General	For contact inserts HC-B10, BB18, DD42, M, K8/24
---------	--

Product properties

Product type	Housing with locking latch
Housing type	Sleeve housing
Type	B10
No. of cable outlets	1
Type of the screw connection	1x M25
Cable outlet	lateral
Pg screw connection	with

Dimensions

Dimensional drawing	
Width	43 mm
Height	72 mm
Length	73 mm
Wrench size, union nut	25 mm

Material specifications

Material Screw connection	Brass, nickel-plated
Seal material Cable seal	NBR
Housing material	Die-cast aluminum
Housing surface material	Powder-coated, gray

Mechanical properties

Mechanical data

Type of the screw connection	1x M25
------------------------------	--------

Cable/line

External cable diameter	9 mm ... 18 mm
-------------------------	----------------

Connection data

External cable diameter	9 mm ... 18 mm
-------------------------	----------------

Environmental and real-life conditions

Ambient conditions

HC-B 10-TFQ-H-M1M25S - Housing



1460107

<https://www.phoenixcontact.com/us/products/1460107>

Degree of protection	IP65
Ambient temperature (operation)	-40 °C ... 125 °C

HC-B 10-TFQ-H-M1M25S - Housing

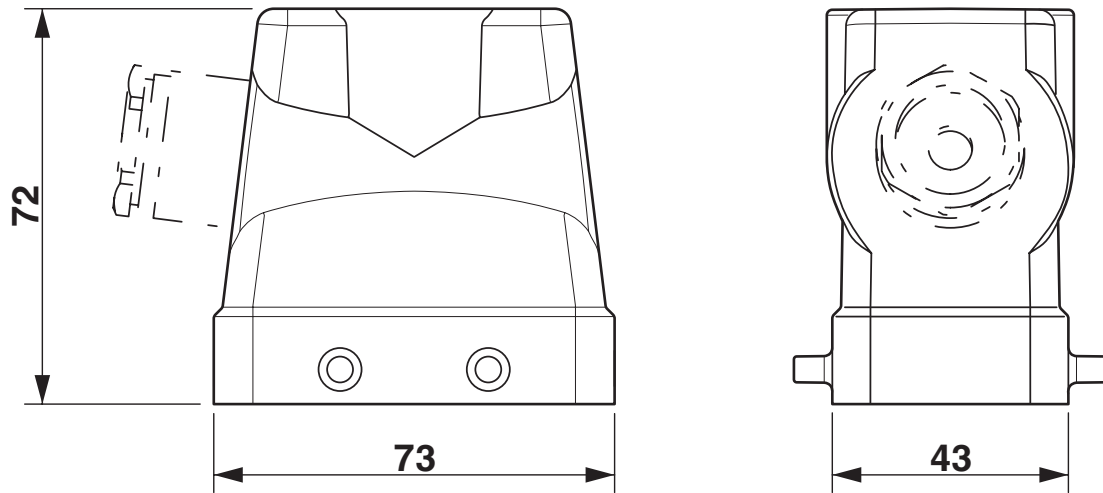


1460107

<https://www.phoenixcontact.com/us/products/1460107>

Drawings

Dimensional drawing



Dimensional drawing

HC-B 10-TFQ-H-M1M25S - Housing



1460107

<https://www.phoenixcontact.com/us/products/1460107>

Classifications

ECLASS

ECLASS-13.0	27440202
ECLASS-15.0	27440202

HC-B 10-TFQ-H-M1M25S - Housing



1460107

<https://www.phoenixcontact.com/us/products/1460107>

Environmental product compliance

EU RoHS

Fulfills EU RoHS substance requirements	Yes, No exemptions
---	--------------------

China RoHS

Environment friendly use period (EFUP)	EFUP-E
	No hazardous substances above the limits

EU REACH SVHC

REACH candidate substance (CAS No.)	No substance above 0.1 wt%
-------------------------------------	----------------------------

Phoenix Contact 2026 © - all rights reserved
<https://www.phoenixcontact.com>

Phoenix Contact USA
586 Fulling Mill Road
Middletown, PA 17057, United States
(+717) 944-1300
info@phoenixcon.com