

QPD N 4PE2,5 9-16 BK - Nut

1459647

<https://www.phoenixcontact.com/us/products/1459647>

Please be informed that the data shown in this PDF document is generated from our online catalog. Please find the complete data in the user documentation. Our general terms of use for downloads are valid.



QUICKON nut, black, 4+PE-pos., 1.0 mm² ... 2.5 mm²/690 V/20 A, for cables with 9 mm ... 16 mm diameter.

Your advantages

- Innovative and time saving - QUICKON fast connection for time saving of up to 80 % for on-site connection
- Robust throughout: housing with IP68/IP69K and IK07 protection for a wide range of applications

Commercial data

Item number	1459647
Packing unit	1 pc
Minimum order quantity	1 pc
Sales key	BF50
Product key	AF6UCX
GTIN	4046356698641
Weight per piece (including packing)	29.6 g
Weight per piece (excluding packing)	29 g
Customs tariff number	39269097
Country of origin	DE

QPD N 4PE2,5 9-16 BK - Nut

1459647

<https://www.phoenixcontact.com/us/products/1459647>

Technical data

Product properties

Product type	Installation pressure nut
Product family	QPD
Type	QPD 5x2,5
Number of positions	5
Connection profile	4+PE
Position marking	1, 2, 3, N, PE
Number of connections	10

Insulation characteristics

Overvoltage category	III
Degree of pollution	3

Electrical properties

Rated surge voltage (II/2)	8 kV
Rated surge voltage (III/2)	8 kV
Rated surge voltage (III/3)	8 kV
Rated current	20 A
rated voltage (II/2)	1000 V
rated voltage (III/2)	1000 V
Rated voltage (III/3)	690 V
Nominal current I_N	20 A

Connection data

Connection technology

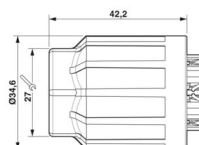
Connection method On the field side	IDC connection
Frequency of connections between conductors of the same cross section	max. 10

Conductor connection

Conductor cross-section flexibel	1 mm ² ... 2.5 mm ²
Conductor cross-section solid	1 mm ² ... 2.5 mm ²
Connection cross section AWG	16 ... 14
Tightening torque Union nut	10 Nm
Wrench size Union nut	27 mm

Dimensions

Dimensional drawing



QPD N 4PE2,5 9-16 BK - Nut



1459647

<https://www.phoenixcontact.com/us/products/1459647>

Width	34.6 mm
Height	34.6 mm
Length	42.2 mm

Material specifications

Color	black (RAL 9005)
Material Housing	PA
Flammability rating according to UL 94	V0
Material wire insulation	PVC/PE/TPE/rubber
Contact carrier material	PA

Cable/line

Structure of individual litz in acc. with VDE 0295 / smallest wire diameter	VDE 0295 class 1 to 6/min. 0.15 mm
External cable diameter	9 mm ... 16 mm
Wire diameter including insulation	2 mm ... 3.8 mm
Position marking	1, 2, 3, N, PE
Material wire insulation	PVC/PE/TPE/rubber

Environmental and real-life conditions

Ambient conditions

Degree of protection	IP66
	IP68 (2 m / 24 h)
	IP69K
	Touch-proof when not plugged in (IP2X)
Impact strength	IK07
Ambient temperature (operation)	-40 °C ... 100 °C
Temperature when conductor connected	-5 °C ... 50 °C
Ambient temperature (storage/transport)	-40 °C ... 80 °C

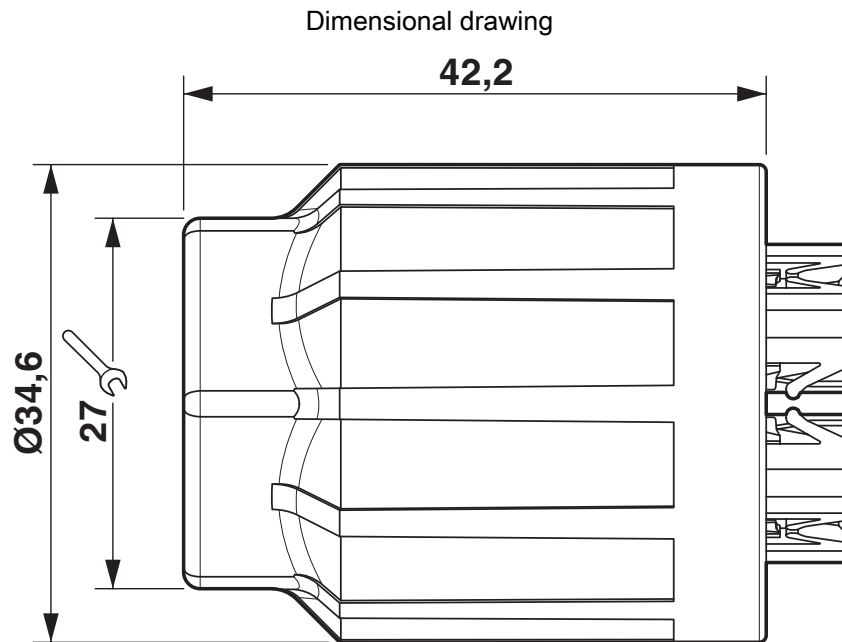
QPD N 4PE2,5 9-16 BK - Nut

1459647

<https://www.phoenixcontact.com/us/products/1459647>



Drawings



Dimensional drawing of the QPD nut 5x2,5

QPD N 4PE2,5 9-16 BK - Nut



1459647

<https://www.phoenixcontact.com/us/products/1459647>

Approvals

To download certificates, visit the product detail page: <https://www.phoenixcontact.com/us/products/1459647>



IECEE CB Scheme

Approval ID: DE1-65875



DNV GL

Approval ID: TAE00003J5



VDE Zeichengenehmigung

Approval ID: 40029149

QPD N 4PE2,5 9-16 BK - Nut



1459647

<https://www.phoenixcontact.com/us/products/1459647>

Classifications

ECLASS

ECLASS-13.0	27440691
ECLASS-15.0	27440691

ETIM

ETIM 10.0	EC002863
-----------	----------

UNSPSC

UNSPSC 21.0	39121400
-------------	----------

QPD N 4PE2,5 9-16 BK - Nut



1459647

<https://www.phoenixcontact.com/us/products/1459647>

Environmental product compliance

EU RoHS

Fulfills EU RoHS substance requirements	Yes, No exemptions
---	--------------------

China RoHS

Environment friendly use period (EFUP)	EFUP-E
	No hazardous substances above the limits

EU REACH SVHC

REACH candidate substance (CAS No.)	No substance above 0.1 wt%
-------------------------------------	----------------------------

EF3.1 Climate Change

CO2e kg	0.552 kg CO2e
---------	---------------

Phoenix Contact 2026 © - all rights reserved
<https://www.phoenixcontact.com>

Phoenix Contact USA
586 Fulling Mill Road
Middletown, PA 17057, United States
(+717) 944-1300
info@phoenixcon.com