

# SAC-M12T/2XM12 PBDP - T distributor



1458884

<https://www.phoenixcontact.com/us/products/1458884>

Please be informed that the data shown in this PDF document is generated from our online catalog. Please find the complete data in the user documentation. Our general terms of use for downloads are valid.

T distributor, PROFIBUS DP (12 Mbps), 4-position, shielded, Plug straight M12, coding: B, on Plug straight M12, coding: B and Socket straight M12, coding: B



## Commercial data

Item number	1458884
Packing unit	1 pc
Note	Made to order (non-returnable)
Sales key	BF10
Product key	AF1GAA
GTIN	4046356660075
Weight per piece (including packing)	38.7 g
Weight per piece (excluding packing)	36.9 g
Customs tariff number	85366990
Country of origin	PL

1458884

<https://www.phoenixcontact.com/us/products/1458884>

## Technical data

### Product properties

Product type	T-distributor
Sensor type	PROFIBUS DP
Number of positions	4
No. of cable outlets	2
Coding	B
Thread type	M12

### Insulation characteristics

Overvoltage category	II
Degree of pollution	3

### Electrical properties

Insulation resistance	$\geq 1 \text{ G}\Omega$
Nominal voltage $U_N$	30 V AC
	36 V DC
Nominal current $I_N$	1 A (Contact 2 and 4)
	4 A (Contact 1 and 3)
Test voltage	1 kV
Transmission speed	12 Mbps

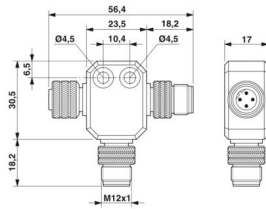
### Interfaces

Signal type/category	PROFIBUS DP, 12 Mbps
----------------------	----------------------

### Signaling

Status display	no
Status display present	no

### Dimensions

Dimensional drawing	
Length	56.4 mm

### Material specifications

Flammability rating according to UL 94	V0
Seal material	Viton
Material of grip body	PUR

# SAC-M12T/2XM12 PBDP - T distributor



1458884

<https://www.phoenixcontact.com/us/products/1458884>

Contact material	CuSn
Contact surface material	Ni/Au
Contact carrier material	PUR
Material for screw connection	Brass, nickel-plated

## Connector

### Connection 1

Type	Plug straight M12
Coding type	B

### Connection 2

Type	Plug straight M12
Coding type	B

### Connection 3

Type	Socket straight M12
Coding type	B

## Cable/line

Signal type/category	PROFIBUS DP, 12 Mbps
----------------------	----------------------

## Mechanical properties

### Mechanical data

Insertion/withdrawal cycles	≥ 100
-----------------------------	-------

## Environmental and real-life conditions

### Ambient conditions

Degree of protection	IP65 IP67
Ambient temperature (operation) (male connector/female connector)	-25 °C ... 80 °C (Plug / socket)

## Standards and regulations

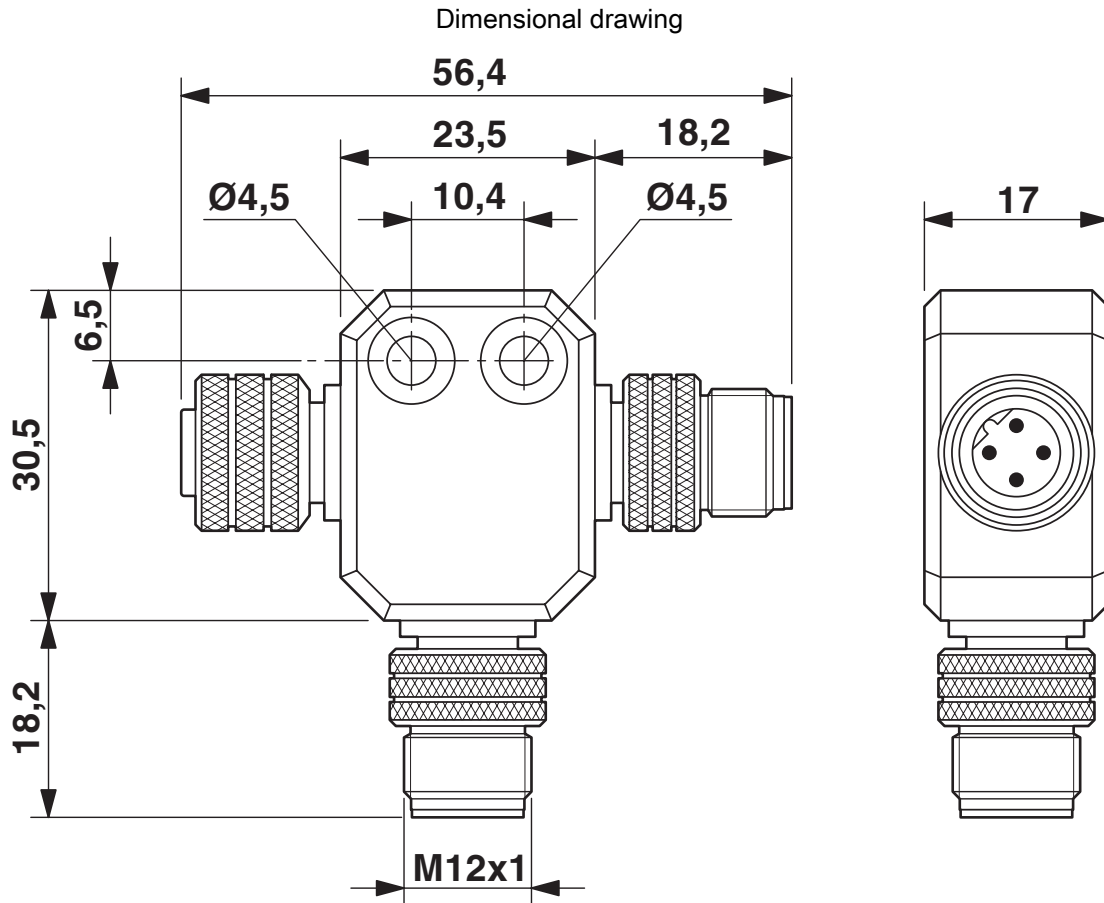
Standard designation	M12 connector
Standards/specifications	IEC 61076-2-101

# SAC-M12T/2XM12 PBDP - T distributor

1458884

<https://www.phoenixcontact.com/us/products/1458884>

## Drawings

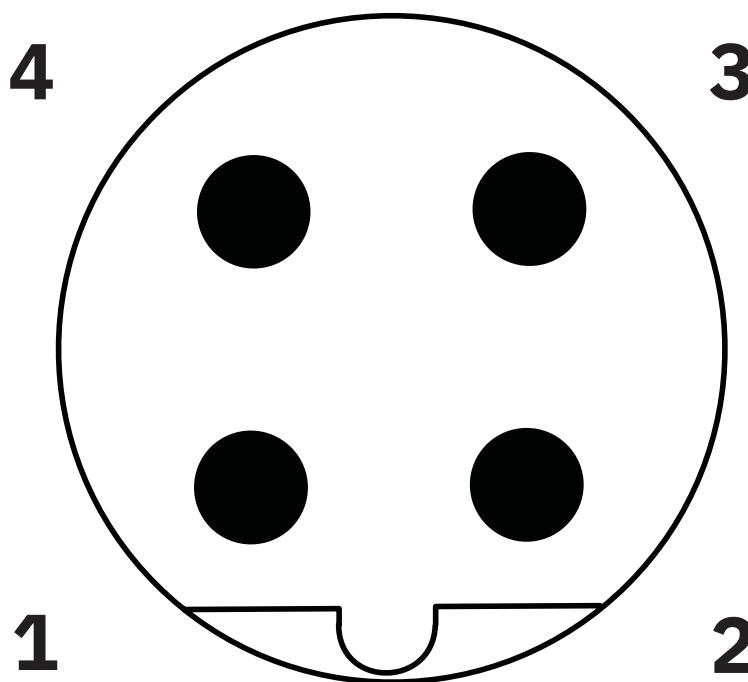


M12 T distributor

1458884

<https://www.phoenixcontact.com/us/products/1458884>

Schematic diagram



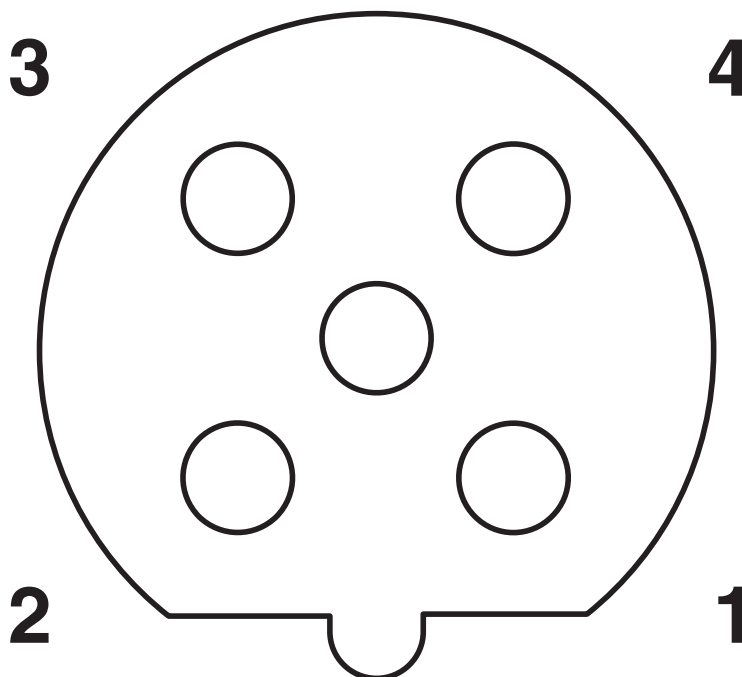
Pin assignment of M12 male connector, 4-pos., B-coded, view of pin side

# SAC-M12T/2XM12 PBDP - T distributor

1458884

<https://www.phoenixcontact.com/us/products/1458884>

Schematic diagram



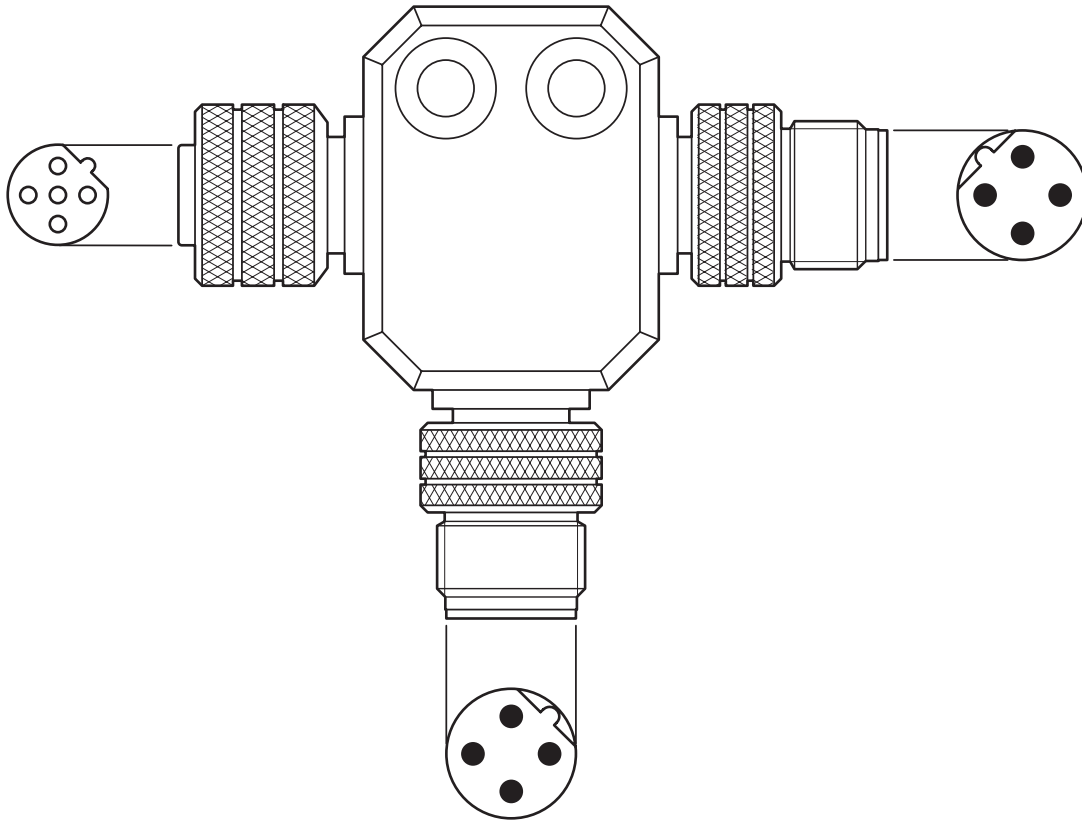
Pin assignment M12 socket, 4-pos., B-coded, view socket side

# SAC-M12T/2XM12 PBDP - T distributor

1458884

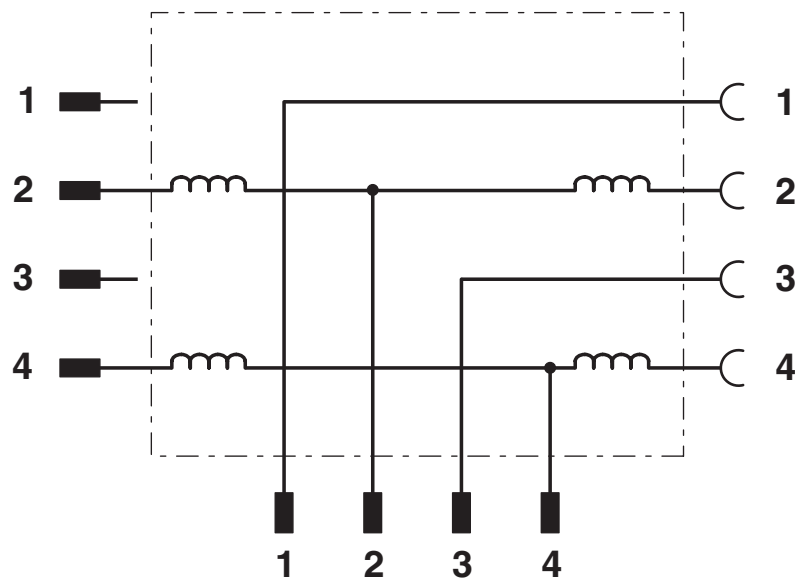
<https://www.phoenixcontact.com/us/products/1458884>

Schematic diagram



Layout of connector pin assignments

Circuit diagram



Contact assignment of the M12 plug and the M12 socket

# SAC-M12T/2XM12 PBDP - T distributor



1458884

<https://www.phoenixcontact.com/us/products/1458884>

## Classifications

### ECLASS

ECLASS-13.0	27440106
ECLASS-15.0	27440106

# SAC-M12T/2XM12 PBDP - T distributor



1458884

<https://www.phoenixcontact.com/us/products/1458884>

## Environmental product compliance

### EU RoHS

Fulfills EU RoHS substance requirements	Yes
Exemption	6(c)

### China RoHS

Environment friendly use period (EFUP)	EFUP-50
	An article-related China RoHS declaration table can be found in the download area for the respective article under "Manufacturer declaration". For all articles with EFUP-E, no China RoHS declaration table issued and required.

### EU REACH SVHC

REACH candidate substance (CAS No.)	Lead(CAS: 7439-92-1)
-------------------------------------	----------------------

Phoenix Contact 2026 © - all rights reserved  
<https://www.phoenixcontact.com>

Phoenix Contact USA  
586 Fulling Mill Road  
Middletown, PA 17057, United States  
(+717) 944-1300  
[info@phoenixcon.com](mailto:info@phoenixcon.com)