

SAC-3P-M8Y/2X1,5-PUR/M 8FR-2L - Sensor/actuator cable



1458761

<https://www.phoenixcontact.com/us/products/1458761>

Please be informed that the data shown in this PDF document is generated from our online catalog. Please find the complete data in the user documentation. Our general terms of use for downloads are valid.



Sensor/actuator cable, 3-position, PUR halogen-free, black-gray RAL 7021, Plug straight M8, coding: A, on Socket angled M8, coding: A, with 2 LEDs and Socket angled M8, coding: A, with 2 LEDs, cable length: 1.5 m

Commercial data

Item number	1458761
Packing unit	1 pc
Minimum order quantity	1 pc
Product key	AF1BOA
GTIN	4046356638111
Weight per piece (including packing)	72.1 g
Weight per piece (excluding packing)	72.1 g
Country of origin	PL

SAC-3P-M8Y/2X1,5-PUR/M 8FR-2L - Sensor/actuator cable



1458761

<https://www.phoenixcontact.com/us/products/1458761>

Technical data

Product properties

Product type	Distributor with cable
Application	Standard
Number of positions	3
No. of cable outlets	2
Shielded	no
Coding	A

Insulation characteristics

Overvoltage category	II
Degree of pollution	3

Connection data

Tightening torque	0.2 Nm (M8 knurl)
-------------------	-------------------

Material specifications

Flammability rating according to UL 94	HB
Seal material	NBR
Material of grip body	TPU, hardly inflammable, self-extinguishing
Contact material	CuSn
Contact surface material	Ni/Au
Contact carrier material	TPU GF
Material for screw connection	Zinc die-cast, nickel-plated

Electrical properties

Insulation resistance	$\geq 100 \text{ M}\Omega$
Nominal voltage U_N	24 V DC
Nominal current I_N	4 A

Signaling

Status display	2 LEDs
Status display present	yes

Connector

Connection 1

Type	Plug straight M8
Coding type	A

Connection 2

Type	Socket angled M8
Coding type	A

Connection 3

SAC-3P-M8Y/2X1,5-PUR/M 8FR-2L - Sensor/actuator cable



1458761

<https://www.phoenixcontact.com/us/products/1458761>

Type	Socket angled M8
Coding type	A

Cable/line

Cable length	1.5 m
--------------	-------

PUR halogen-free black [PUR]

Dimensional drawing	
Cable weight	18 kg/km
UL AWM Style	20549 / 10493 (80°C/300 V)
Number of positions	3
Shielded	no
Cable type	PUR halogen-free black [PUR]
Conductor structure signal line	32x 0.10 mm
AWG signal line	24
Conductor cross-section	3x 0.25 mm ² (Signal line)
Wire diameter incl. insulation	1.17 mm ±0.02 mm
External cable diameter	3.60 mm ±0.15 mm
Outer sheath, material	PUR
External sheath, color	black-gray RAL 7021
Conductor material	Bare Cu litz wires
Material wire insulation	PP
Single wire, color	brown, blue, black
Thickness, insulation	≥ 0.21 mm (Core insulation)
Thickness, outer sheath	approx. 0.50 mm
Overall twist	3 wires, twisted
Length of twist, overall twist	40 mm
Max. conductor resistance	≤ 78 Ω/km (at 20 °C)
Insulation resistance	≥ 100 GΩ*km (at 20 °C)
Nominal voltage, cable	≤ 300 V
Test voltage	≥ 3000 V
Smallest bending radius, fixed installation	18 mm
Smallest bending radius, movable installation	36 mm
Dynamic load capacity (bending)	Max. bending cycles: 10000000, Bending radius: 44 mm, Traversing path: 10 m, Traversing rate: 3 m/s, Acceleration: 10 m/s ²
Dynamic load capacity (torsion)	Torsion: ±180 °/m, Torsion cycles: ≥5000000, Torsional frequency: 35 cycles/min.

SAC-3P-M8Y/2X1,5-PUR/M 8FR-2L - Sensor/actuator cable



1458761

<https://www.phoenixcontact.com/us/products/1458761>

Halogen-free	in accordance with DIN VDE 0472 part 815
Flame resistance	in accordance with UL 758/1581 FT2 DIN EN 60332-2-2 (20 s)
Resistance to oil	in accordance with DIN EN 60811-2-1
Other resistance	hydrolysis and microbe resistant Highly resistant to acids, alkaline solutions and solvents Resistant to salt water partly UV-resistant (in accordance with DIN EN ISO 4892-2-A)
Special properties	Flexible cable conduit capable Silicone-free Free of substances which would hinder coating with paint or varnish
Ambient temperature (operation)	-40 °C ... 80 °C (cable, fixed installation) -25 °C ... 80 °C (Cable, flexible installation)

Environmental and real-life conditions

Ambient conditions

Degree of protection	IP65 IP67 IP68
Ambient temperature (operation)	-25 °C ... 90 °C (Plug / socket)

Standards and regulations

M8

Standard designation	M8 connector
Standards/specifications	IEC 61076-2-104

SAC-3P-M8Y/2X1,5-PUR/M 8FR-2L - Sensor/actuator cable



1458761

<https://www.phoenixcontact.com/us/products/1458761>

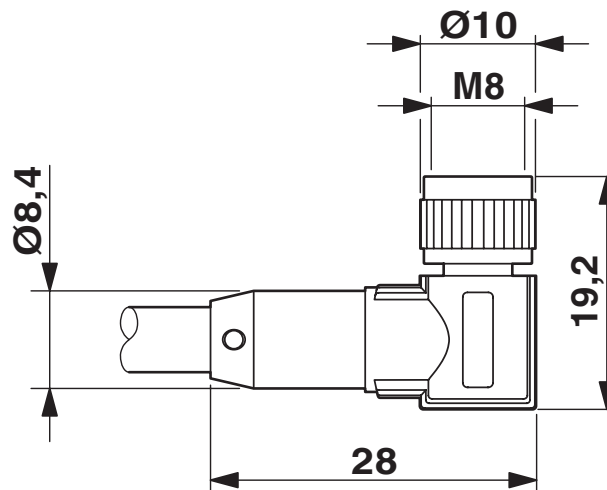
Drawings

Dimensional drawing



Plug M8 x 1, Y-distributor

Dimensional drawing



Socket M8 x 1, angled, with LED

SAC-3P-M8Y/2X1,5-PUR/M 8FR-2L - Sensor/actuator cable

1458761

<https://www.phoenixcontact.com/us/products/1458761>

Schematic diagram



Pin assignment M8 plug, 4-pos., view male side

Schematic diagram



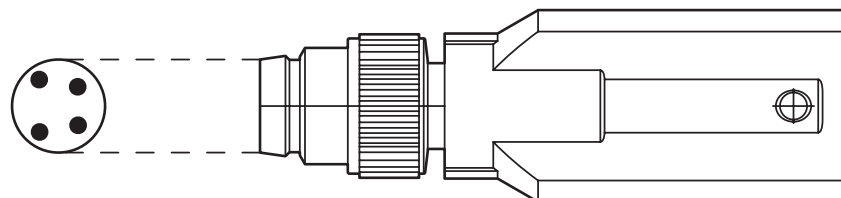
Pin assignment M8 socket, 3-pos., view female side

SAC-3P-M8Y/2X1,5-PUR/M 8FR-2L - Sensor/actuator cable

1458761

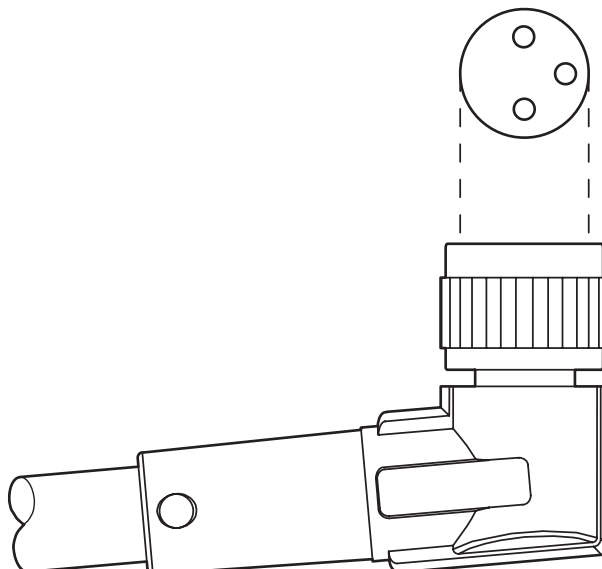
<https://www.phoenixcontact.com/us/products/1458761>

Schematic diagram



Alignment of the connector pin assignment

Schematic diagram



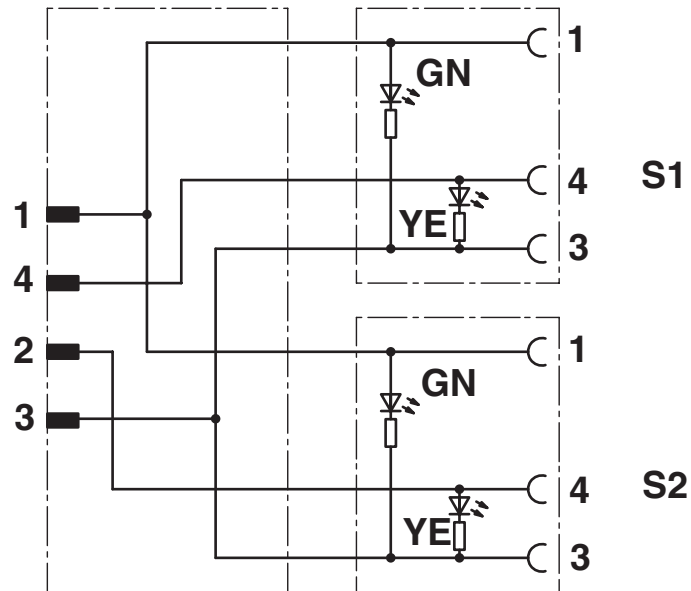
Alignment of the connector pin assignment

SAC-3P-M8Y/2X1,5-PUR/M 8FR-2L - Sensor/actuator cable

1458761

<https://www.phoenixcontact.com/us/products/1458761>

Circuit diagram



Contact assignment of the M8 plug and the M8 socket

SAC-3P-M8Y/2X1,5-PUR/M 8FR-2L - Sensor/actuator cable





1458761

<https://www.phoenixcontact.com/us/products/1458761>

Approvals

To download certificates, visit the product detail page: <https://www.phoenixcontact.com/us/products/1458761>

 UL Listed Approval ID: FILE E 221474				
	Nominal voltage U_N	Nominal current I_N	Cross section AWG	Cross section mm^2
keine				
	24 V	4 A	-	-

 cUL Listed Approval ID: FILE E 221474				
	Nominal voltage U_N	Nominal current I_N	Cross section AWG	Cross section mm^2
keine				
	24 V	4 A	-	-

 EAC-RoHS Approval ID: RU D-DE.HB35.B.00387	
--	--

SAC-3P-M8Y/2X1,5-PUR/M 8FR-2L - Sensor/actuator cable



1458761

<https://www.phoenixcontact.com/us/products/1458761>

Classifications

ECLASS

ECLASS-13.0	27060313
ECLASS-15.0	27060313

ETIM

ETIM 10.0	EC001855
-----------	----------

UNSPSC

UNSPSC 21.0	26121600
-------------	----------

SAC-3P-M8Y/2X1,5-PUR/M 8FR-2L - Sensor/actuator cable



1458761

<https://www.phoenixcontact.com/us/products/1458761>

Environmental product compliance

EU RoHS

Fulfills EU RoHS substance requirements	Yes, No exemptions
---	--------------------

China RoHS

Environment friendly use period (EFUP)	EFUP-E
	No hazardous substances above the limits

EU REACH SVHC

REACH candidate substance (CAS No.)	No substance above 0.1 wt%
-------------------------------------	----------------------------

EF3.1 Climate Change

CO2e kg	1.259 kg CO2e
---------	---------------

Phoenix Contact 2026 © - all rights reserved
<https://www.phoenixcontact.com>

Phoenix Contact USA
586 Fulling Mill Road
Middletown, PA 17057, United States
(+717) 944-1300
info@phoenixcon.com