

# SAC-5P-MR/AD-2L SCO - Valve connector



1458606

<https://www.phoenixcontact.com/us/products/1458606>

Please be informed that the data shown in this PDF document is generated from our online catalog. Please find the complete data in the user documentation. Our general terms of use for downloads are valid.



Valve connector, 5-position, Plug angled M12 SPEEDCON, coding: A, with 2 LEDs, on Valve connector AD (pressure switch), with 2 LEDs

## Commercial data

Item number	1458606
Packing unit	1 pc
Minimum order quantity	1 pc
Sales key	BF10
Product key	AF1GDA
GTIN	4046356639057
Weight per piece (including packing)	30 g
Weight per piece (excluding packing)	30.3 g
Customs tariff number	85366990
Country of origin	PL

# SAC-5P-MR/AD-2L SCO - Valve connector

1458606

<https://www.phoenixcontact.com/us/products/1458606>

## Technical data

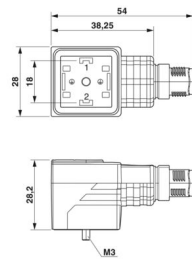
### Product properties

Product type	Valve connector adapter
Number of positions	5
No. of cable outlets	1
Coding	A

### Insulation characteristics

Overvoltage category	II
Degree of pollution	3

### Dimensions

Dimensional drawing	
Width	28 mm
Height	28.2 mm
Length	54 mm

### Connection data

Connection method	M12 connector
Tightening torque	0.6 Nm (Valve connector)

### Electrical properties

Insulation resistance	$\geq 100 \text{ M}\Omega$
Nominal voltage $U_N$	24 V AC
	24 V DC
Nominal current $I_N$	4 A
Protective circuit	unwired

### Valve connector characteristics

Fixing screws	M3 x 29
---------------	---------

### Mechanical properties

#### Mechanical data

Insertion/withdrawal cycles	50 (Valve connector)
	$\geq 100$ (M12 connector)

# SAC-5P-MR/AD-2L SCO - Valve connector



1458606

<https://www.phoenixcontact.com/us/products/1458606>

## Material specifications

Flammability rating according to UL 94	HB
Seal material	TPU
Material housing valve plug	TPU
Contact material	CuSn
Contact surface material	Ni/Au
Contact carrier material	PA 66
Contact material	CuSn
Valve plug contact insert material	PA 6.6
Contact surface material	Sn
Material for screw connection	Zinc die-cast, nickel-plated

## Signaling

Status display	2 LEDs
Status display present	yes

## Connector

### Connection 1

Type	Plug angled M12 SPEEDCON
Number of positions	5
Locking type	SPEEDCON
Coding type	A

### Connection 2

Type	Valve connector AD (pressure switch)
Number of positions	5
Material	CuSn (Contact)
	Sn (Contact surface)
	PA 6.6 (Contact carrier)
	TPU (Housing)

## Environmental and real-life conditions

### Ambient conditions

Degree of protection	IP65
	IP67
Ambient temperature (operation) (Valve connector)	-25 °C ... 85 °C (Valve connector)

## Standards and regulations

### M12

Standard designation	M12 connector
Standards/specifications	IEC 61076-2-101

### Valve connector

# SAC-5P-MR/AD-2L SCO - Valve connector



1458606

<https://www.phoenixcontact.com/us/products/1458606>

Standard designation	Valve connector
Standards/specifications	EN 175301-803

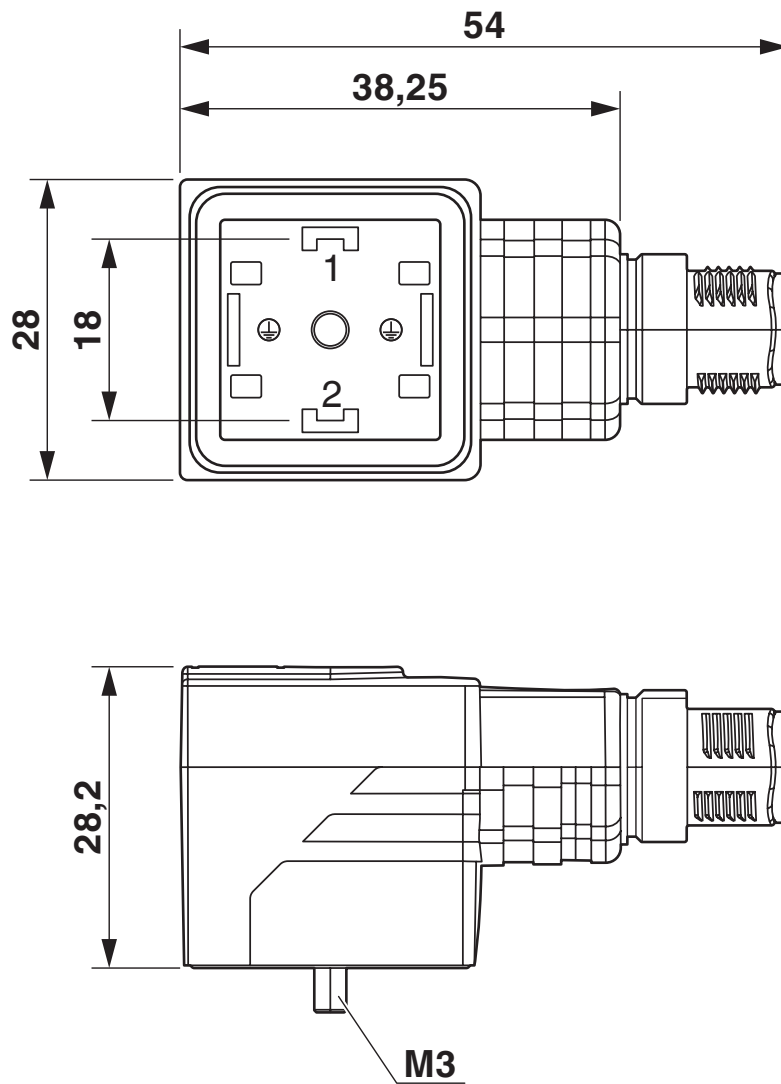
# SAC-5P-MR/AD-2L SCO - Valve connector

1458606

<https://www.phoenixcontact.com/us/products/1458606>

## Drawings

Dimensional drawing



# SAC-5P-MR/AD-2L SCO - Valve connector

1458606

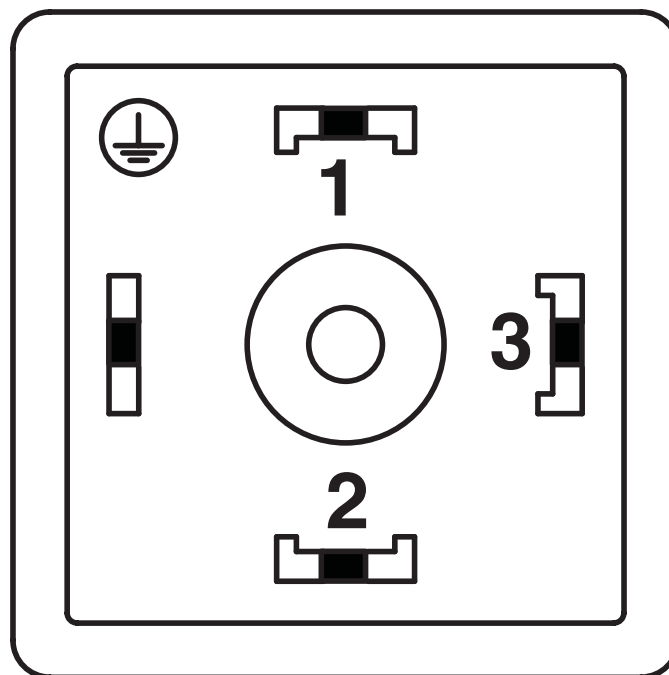
<https://www.phoenixcontact.com/us/products/1458606>

Schematic diagram



Pin assignment M12 male connector, 5-pos., A-coded, male side

Schematic diagram

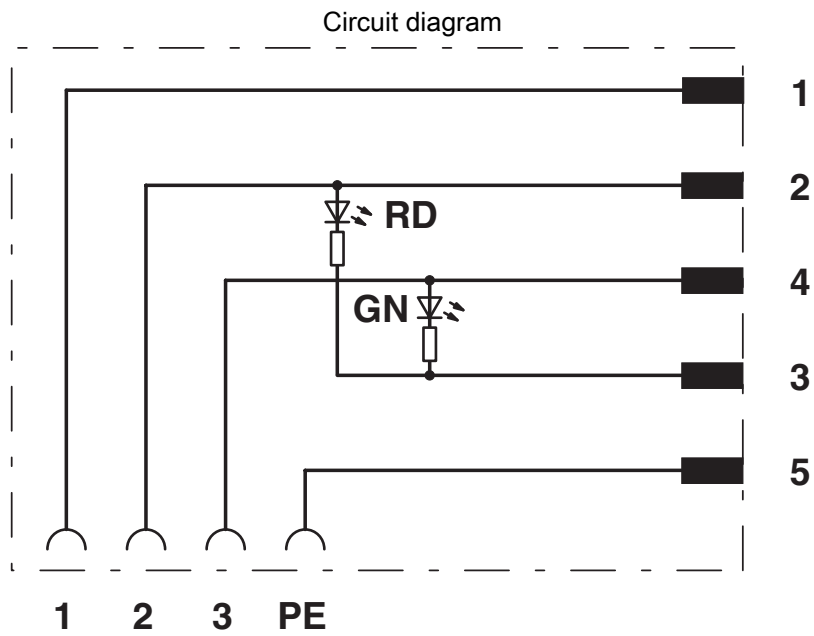


Valve plug connector pin assignment, type AD

# SAC-5P-MR/AD-2L SCO - Valve connector

1458606

<https://www.phoenixcontact.com/us/products/1458606>



Contact assignment of M12 plug and valve connector

# SAC-5P-MR/AD-2L SCO - Valve connector



1458606

<https://www.phoenixcontact.com/us/products/1458606>

## Approvals

To download certificates, visit the product detail page: <https://www.phoenixcontact.com/us/products/1458606>

### DNV

Approval ID: TAE00002K4



### EAC

Approval ID: RU C-DE.AI30.B.01102



### CSAus

Approval ID: 13631

	Nominal voltage $U_N$	Nominal current $I_N$	Cross section AWG	Cross section $\text{mm}^2$
keine				
	24 V	4 A	-	-

# SAC-5P-MR/AD-2L SCO - Valve connector



1458606

<https://www.phoenixcontact.com/us/products/1458606>

## Classifications

### ECLASS

ECLASS-13.0	27440105
ECLASS-15.0	27440105

### ETIM

ETIM 10.0	EC003623
-----------	----------

### UNSPSC

UNSPSC 21.0	31251500
-------------	----------

# SAC-5P-MR/AD-2L SCO - Valve connector



1458606

<https://www.phoenixcontact.com/us/products/1458606>

## Environmental product compliance

### EU RoHS

Fulfills EU RoHS substance requirements	Yes, No exemptions
---	--------------------

### China RoHS

Environment friendly use period (EFUP)	EFUP-E
	No hazardous substances above the limits

### EU REACH SVHC

REACH candidate substance (CAS No.)	No substance above 0.1 wt%
-------------------------------------	----------------------------

### EF3.1 Climate Change

CO2e kg	1.012 kg CO2e
---------	---------------

Phoenix Contact 2026 © - all rights reserved  
<https://www.phoenixcontact.com>

Phoenix Contact USA  
586 Fulling Mill Road  
Middletown, PA 17057, United States  
(+717) 944-1300  
[info@phoenixcon.com](mailto:info@phoenixcon.com)