

# SAC-3P-MR/B-1L-Z SCO - Valve connector



1458554

<https://www.phoenixcontact.com/us/products/1458554>

Please be informed that the data shown in this PDF document is generated from our online catalog. Please find the complete data in the user documentation. Our general terms of use for downloads are valid.



Valve connector, 3-position, Plug angled M12, coding: A, on Valve connector B (10 mm), with 1 LED, Wiring: Z diode

## Commercial data

Item number	1458554
Packing unit	1 pc
Minimum order quantity	1 pc
Sales key	BF10
Product key	AF1GDA
GTIN	4046356639002
Weight per piece (including packing)	26.1 g
Weight per piece (excluding packing)	26.1 g
Customs tariff number	85366990
Country of origin	PL

# SAC-3P-MR/B-1L-Z SCO - Valve connector

1458554

<https://www.phoenixcontact.com/us/products/1458554>

## Technical data

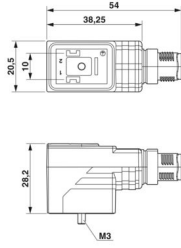
### Product properties

Product type	Valve connector adapter
Number of positions	3
No. of cable outlets	1
Coding	A

### Insulation characteristics

Overvoltage category	II
Degree of pollution	3

### Dimensions

Dimensional drawing	
Width	20 mm
Height	28.2 mm
Length	54 mm

### Connection data

Connection method	M12 connector
Tightening torque	0.6 Nm (Valve connector)

### Electrical properties

Insulation resistance	$\geq 100 \text{ M}\Omega$
Nominal voltage $U_N$	24 V AC 24 V DC
Nominal current $I_N$	4 A

### Valve connector characteristics

Fixing screws	M3 x 29
Pulse power	40 W (at 100 $\mu$ s square-wave pulse)
Terminal voltage	70 V (at 2 mA constant current)
Reverse voltage	50 V

### Mechanical properties

#### Mechanical data

Insertion/withdrawal cycles	50 (Valve connector)
-----------------------------	----------------------

# SAC-3P-MR/B-1L-Z SCO - Valve connector



1458554

<https://www.phoenixcontact.com/us/products/1458554>

	≥ 100 (M12 connector)
--	-----------------------

## Material specifications

Flammability rating according to UL 94	HB
Seal material	TPU
Material housing valve plug	TPU
Contact material	CuSn
Contact surface material	Ni/Au
Contact carrier material	PA 66
Contact material	CuSn
Valve plug contact insert material	PA 6.6
Contact surface material	Sn
Material for screw connection	Zinc die-cast, nickel-plated

## Signaling

Status display	LED (yellow)
Status display present	yes

## Connector

### Connection 1

Type	Plug angled M12
Number of positions	3
Coding type	A

### Connection 2

Type	Valve connector B (10 mm)
Number of positions	3
Material	CuSn (Contact)
	Sn (Contact surface)
	PA 6.6 (Contact carrier)
	TPU (Housing)
Protective circuit	Z diode

## Environmental and real-life conditions

### Ambient conditions

Degree of protection	IP65
	IP67
Ambient temperature (operation) (Valve connector)	-25 °C ... 85 °C (Valve connector)

## Standards and regulations

### M12

Standard designation	M12 connector
Standards/specifications	IEC 61076-2-101

# SAC-3P-MR/B-1L-Z SCO - Valve connector



1458554

<https://www.phoenixcontact.com/us/products/1458554>

Valve connector

Standard designation	Valve connector
Standards/specifications	EN 175301-803

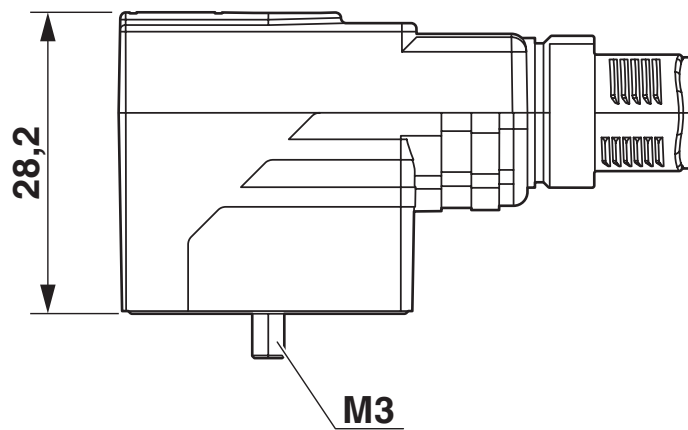
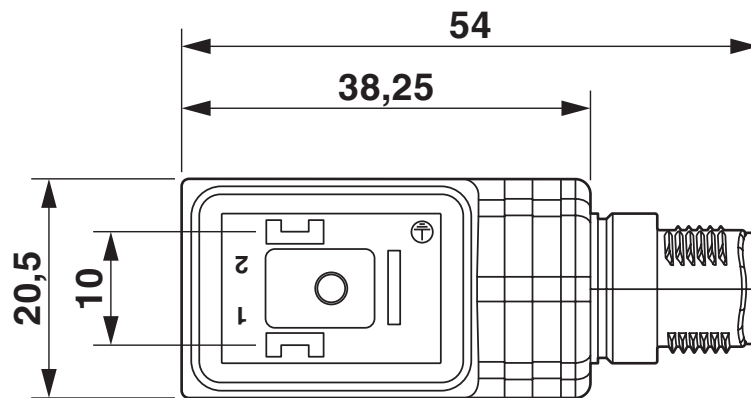
# SAC-3P-MR/B-1L-Z SCO - Valve connector

1458554

<https://www.phoenixcontact.com/us/products/1458554>

## Drawings

Dimensional drawing

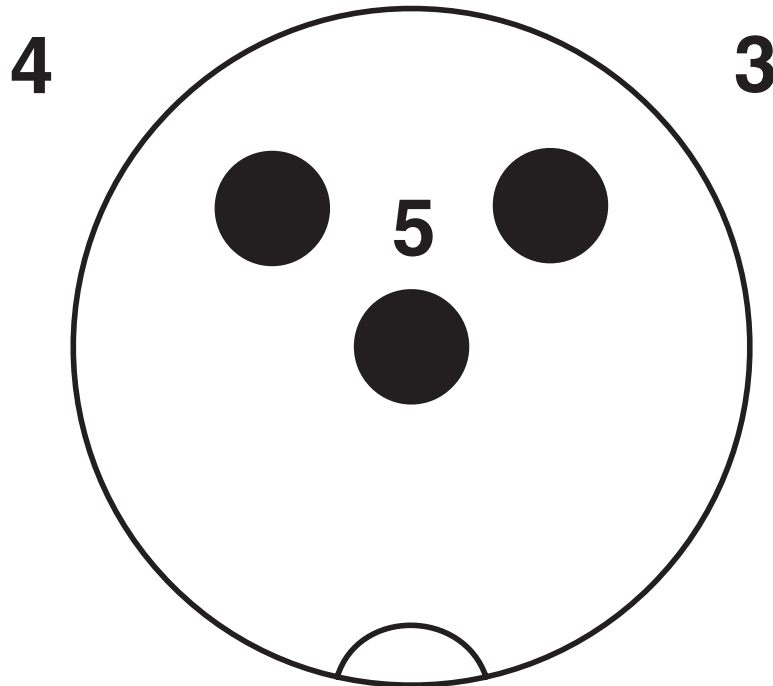


# SAC-3P-MR/B-1L-Z SCO - Valve connector

1458554

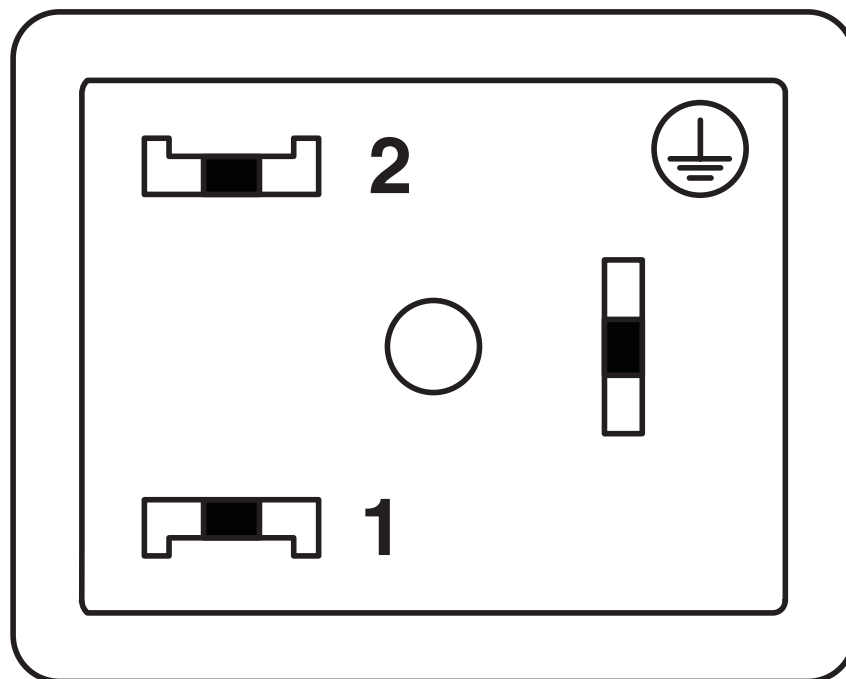
<https://www.phoenixcontact.com/us/products/1458554>

Schematic diagram



Pin assignment M12 plug, 3-pos., A-coded, view male side

Schematic diagram



Valve connector pin assignment, type B

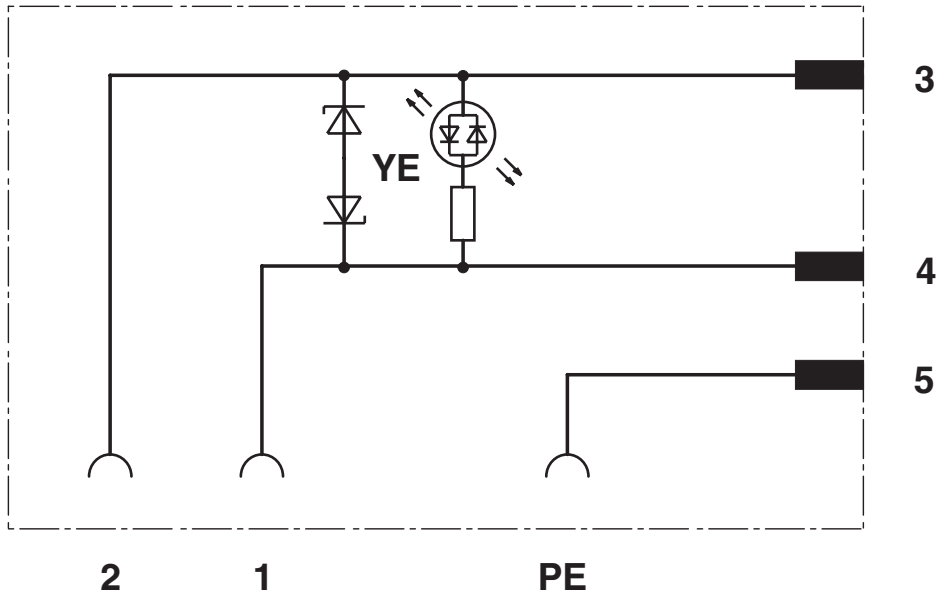
# SAC-3P-MR/B-1L-Z SCO - Valve connector

1458554

<https://www.phoenixcontact.com/us/products/1458554>



Circuit diagram



# SAC-3P-MR/B-1L-Z SCO - Valve connector



1458554

<https://www.phoenixcontact.com/us/products/1458554>

## Approvals

To download certificates, visit the product detail page: <https://www.phoenixcontact.com/us/products/1458554>

### DNV

Approval ID: TAE00002K4



### EAC

Approval ID: RU C-DE.AI30.B.01102



### CSAus

Approval ID: 13631

	Nominal voltage $U_N$	Nominal current $I_N$	Cross section AWG	Cross section $\text{mm}^2$
keine				
	24 V	4 A	-	-

# SAC-3P-MR/B-1L-Z SCO - Valve connector



1458554

<https://www.phoenixcontact.com/us/products/1458554>

## Classifications

### ECLASS

ECLASS-13.0	27440105
ECLASS-15.0	27440105

### ETIM

ETIM 10.0	EC003623
-----------	----------

### UNSPSC

UNSPSC 21.0	31251500
-------------	----------

# SAC-3P-MR/B-1L-Z SCO - Valve connector



1458554

<https://www.phoenixcontact.com/us/products/1458554>

## Environmental product compliance

### EU RoHS

Fulfills EU RoHS substance requirements	Yes
Exemption	7(c)-I

### China RoHS

Environment friendly use period (EFUP)	EFUP-50
	An article-related China RoHS declaration table can be found in the download area for the respective article under "Manufacturer declaration". For all articles with EFUP-E, no China RoHS declaration table issued and required.

### EU REACH SVHC

REACH candidate substance (CAS No.)	Diboron trioxide(CAS: 1303-86-2)
	Lead monoxide (lead oxide)(CAS: 1317-36-8)
SCIP	668f7fcf-1663-4936-ac1c-1819298ad490

### EF3.1 Climate Change

CO2e kg	0.768 kg CO2e
---------	---------------

Phoenix Contact 2026 © - all rights reserved  
<https://www.phoenixcontact.com>

Phoenix Contact USA  
586 Fulling Mill Road  
Middletown, PA 17057, United States  
(+717) 944-1300  
[info@phoenixcon.com](mailto:info@phoenixcon.com)