

# SAC- 3,0/0,1-116/2XB-1L-Z - Double valve connector cable



1458172

<https://www.phoenixcontact.com/us/products/1458172>

Please be informed that the data shown in this PDF document is generated from our online catalog. Please find the complete data in the user documentation. Our general terms of use for downloads are valid.



Double valve connector cable, 4-position, PUR/PVC, black, free cable end, on Valve connector B (10 mm), with 1 LED, Wiring: Z diode and Valve connector B (10 mm), with 1 LED, Wiring: Z diode, cable length: 3 m, valve connector spacing: 0.1 m

## Your advantages

- Easy and safe: 100 % electrically tested plug-in components
- Efficient: control valves with two connections via a single connecting cable
- Convenient: increased machine availability thanks to quick and easy diagnostics

## Commercial data

Item number	1458172
Packing unit	1 pc
Minimum order quantity	1 pc
Sales key	BF07
Product key	AF1DHA
GTIN	4046356638616
Weight per piece (including packing)	241.66 g
Weight per piece (excluding packing)	241.66 g
Customs tariff number	85444290
Country of origin	PL

# SAC- 3,0/0,1-116/2XB-1L-Z - Double valve connector cable



1458172

<https://www.phoenixcontact.com/us/products/1458172>

## Technical data

### Product properties

Product type	Sensor/actuator cable with valve connector
Application	Standard
Number of positions	4
No. of cable outlets	1
Shielded	no

### Insulation characteristics

Overvoltage category	II
Degree of pollution	3

### Connection data

#### Conductor connection

Tightening torque	0.6 Nm
-------------------	--------

### Material specifications

Flammability rating according to UL 94	HB
Seal material	TPU
Material housing valve plug	TPU
Contact material	CuSn
Valve plug contact insert material	PA 6.6
Contact surface material	Sn

### Electrical properties

Insulation resistance	≥ 100 MΩ
Nominal voltage $U_N$	24 V AC
	24 V DC
Nominal current $I_N$	4 A

### Valve connector characteristics

Fixing screws	M3 x 29
Pulse power	40 W (at 100 μs square-wave pulse)
Terminal voltage	70 V (at 2 mA constant current)
Reverse voltage	50 V

### Mechanical properties

#### Mechanical data

Insertion/withdrawal cycles	50
-----------------------------	----

### Signaling

Status display	1 LED
Status display present	yes

# SAC- 3,0/0,1-116/2XB-1L-Z - Double valve connector cable

1458172

<https://www.phoenixcontact.com/us/products/1458172>

## Connector

### Connection 1

Type	free cable end
------	----------------

### Connection 2

Type	Valve connector B (10 mm)
Material	CuSn (Contact)
	Sn (Contact surface)
	PA 6.6 (Contact carrier)
	TPU (Housing)
Protective circuit	Z diode


### Connection 3

Type	Valve connector B (10 mm)
Material	CuSn (Contact)
	Sn (Contact surface)
	PA 6.6 (Contact carrier)
	TPU (Housing)
Protective circuit	Z diode

## Cable/line

Cable length	3 m
	0.1 m

PUR/PVC, 0.75 mm<sup>2</sup>, black [116]

Dimensional drawing	
Cable weight	57 kg/km
UL AWM Style	20549
Number of positions	4
Shielded	no
Cable type	PUR/PVC, 0.75 mm <sup>2</sup> , black [116]
Conductor structure signal line	24x 0.20 mm
AWG signal line	18
Conductor cross-section	4x 0.75 mm <sup>2</sup>
Wire diameter incl. insulation	1.7 mm ±0.05 mm
External cable diameter	6.30 mm ±0.2 mm
Outer sheath, material	PUR

# SAC- 3,0/0,1-116/2XB-1L-Z - Double valve connector cable



1458172

<https://www.phoenixcontact.com/us/products/1458172>

External sheath, color	black
Conductor material	Bare Cu litz wires
Material wire insulation	PVC
Single wire, color	black 1, black 2, black 3, green/yellow
Overall twist	4 wires, twisted
Max. conductor resistance	26 Ω/km (at 20 °C)
Insulation resistance	≥ 20 MΩ*km
Nominal voltage, cable	300 V
Test voltage	1200 V
Smallest bending radius, fixed installation	63 mm
Flame resistance	according to DIN VDE 0482
	According to DIN EN 50265-2-1
	in acc. with UL FT-2
Ambient temperature (operation)	-5 °C ... 80 °C (Cable, flexible installation)
	-40 °C ... 80 °C (cable, fixed installation)

## Environmental and real-life conditions

### Ambient conditions

Degree of protection	IP65
	IP67
Ambient temperature (operation) (Valve connector)	-25 °C ... 85 °C (Valve connector)

## Standards and regulations

### Valve connector

Standard designation	Valve connector
Standards/specifications	EN 175301-803

# SAC- 3,0/0,1-116/2XB-1L-Z - Double valve connector cable

1458172

<https://www.phoenixcontact.com/us/products/1458172>

## Drawings

Dimensional drawing



Double valve plug, 2 x type B

# SAC- 3,0/0,1-116/2XB-1L-Z - Double valve connector cable

1458172

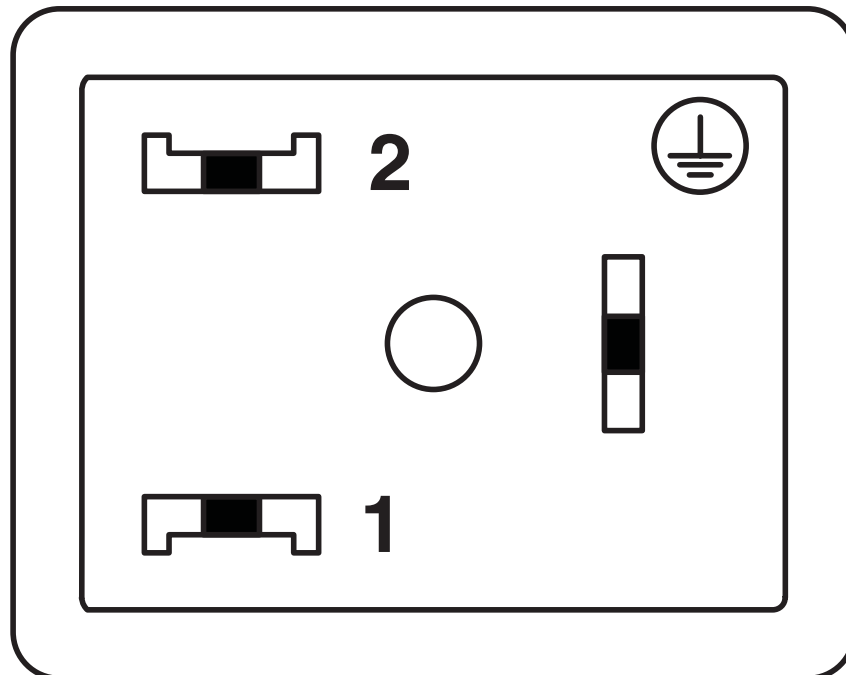
<https://www.phoenixcontact.com/us/products/1458172>

Dimensional drawing



Valve connector spacing

Schematic diagram



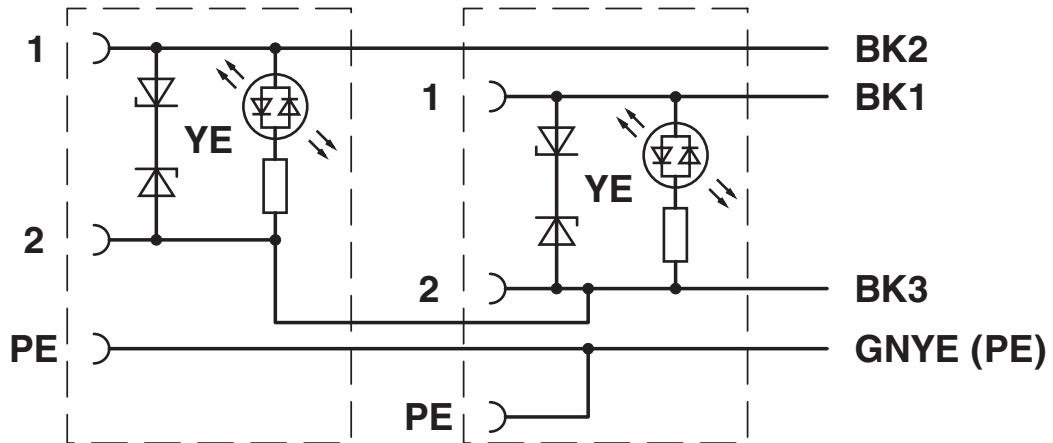
Valve connector pin assignment, type B

# SAC- 3,0/0,1-116/2XB-1L-Z - Double valve connector cable

1458172

<https://www.phoenixcontact.com/us/products/1458172>

Circuit diagram



Contact assignment of the double-valve connector

# SAC- 3,0/0,1-116/2XB-1L-Z - Double valve connector cable



1458172

<https://www.phoenixcontact.com/us/products/1458172>

## Classifications

### ECLASS

ECLASS-13.0	27060312
ECLASS-15.0	27060312

### ETIM

ETIM 9.0	EC001855
----------	----------

### UNSPSC

UNSPSC 21.0	31251500
-------------	----------

# SAC- 3,0/0,1-116/2XB-1L-Z - Double valve connector cable



1458172

<https://www.phoenixcontact.com/us/products/1458172>

## Environmental product compliance

### EU RoHS

Fulfills EU RoHS substance requirements	Yes
Exemption	7(c)-I

### China RoHS

Environment friendly use period (EFUP)	EFUP-50
	An article-related China RoHS declaration table can be found in the download area for the respective article under "Manufacturer declaration". For all articles with EFUP-E, no China RoHS declaration table issued and required.

### EU REACH SVHC

REACH candidate substance (CAS No.)	Diboron trioxide(CAS: 1303-86-2)
	Lead monoxide (lead oxide)(CAS: 1317-36-8)

Phoenix Contact 2026 © - all rights reserved

<https://www.phoenixcontact.com>

Phoenix Contact USA  
586 Fulling Mill Road  
Middletown, PA 17057, United States  
(+717) 944-1300  
[info@phoenixcon.com](mailto:info@phoenixcon.com)