

FT NUT M25 BK - Nut



1457937

<https://www.phoenixcontact.com/us/products/1457937>

Please be informed that the data shown in this PDF document is generated from our online catalog. Please find the complete data in the user documentation. Our general terms of use for downloads are valid.

Nut, Range of articles: PRC 35, color: black



Product description

Nut for color-coding device interfaces

Your advantages

- Color coding for PRC connectors
- Easy installation
- Other colors available on request

Commercial data

Item number	1457937
Packing unit	100 pc
Minimum order quantity	100 pc
Sales key	AB03
Product key	ABL CZB
GTIN	4046356623957
Weight per piece (including packing)	2.759 g
Weight per piece (excluding packing)	2.66 g
Customs tariff number	39269097
Country of origin	PL

Technical data

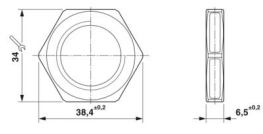
Product properties

Product type	Panel feed-through
Product family	PRC 35

Insulation characteristics

Degree of pollution	2
---------------------	---

Dimensions

Dimensional drawing	
Width	38.4 mm
Height	34 mm
Length	6.5 mm
Wrench size, union nut	34 mm

Material specifications

Color	black (RAL 9005)
Color of the housing part	black
Flammability rating according to UL 94	V0
Material for screw connection	PPE

Cable/line

Halogen-free	yes (in accordance with IEC 61249-2-21:2003- 11 Cl.3.1)
--------------	---

Mounting

Mounting type	Threads
Thread type	M25 x 1,5 (DIN EN 60423)

Environmental and real-life conditions

Ambient conditions

Category of shock impact	IK08 (-25°C)
Ambient temperature (operation)	-40 °C ... 105 °C
Ambient temperature (storage/transport)	-40 °C ... 70 °C
Ambient temperature (assembly)	5 °C ... 85 °C

FT NUT M25 BK - Nut

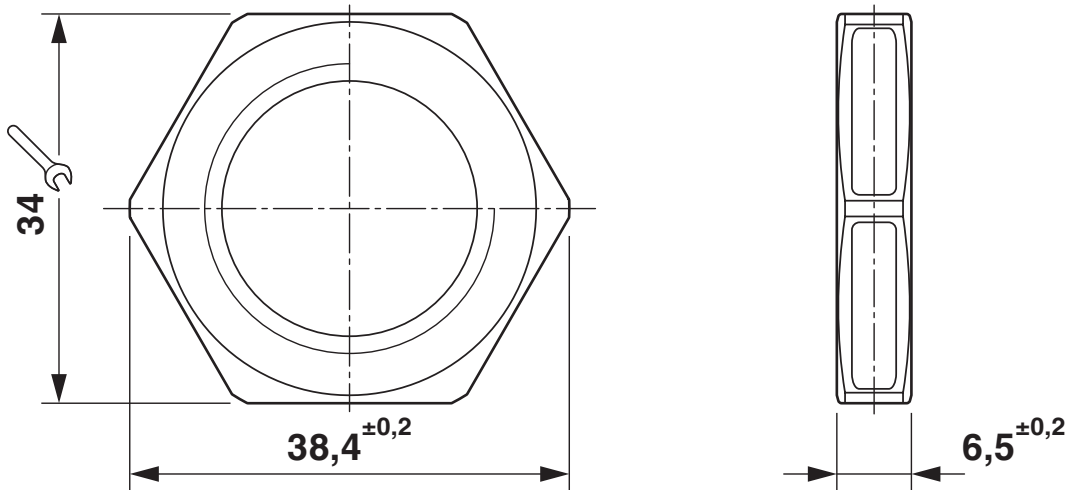
1457937

<https://www.phoenixcontact.com/us/products/1457937>



Drawings

Dimensional drawing



FT NUT M25 BK - Nut



1457937

<https://www.phoenixcontact.com/us/products/1457937>

Classifications

ECLASS

ECLASS-13.0	27440691
ECLASS-15.0	27440192

ETIM

ETIM 10.0	EC002943
-----------	----------

UNSPSC

UNSPSC 21.0	39121400
-------------	----------

FT NUT M25 BK - Nut



1457937

<https://www.phoenixcontact.com/us/products/1457937>

Environmental product compliance

EU RoHS

Fulfills EU RoHS substance requirements	Yes, No exemptions
---	--------------------

China RoHS

Environment friendly use period (EFUP)	EFUP-E
	No hazardous substances above the limits

EU REACH SVHC

REACH candidate substance (CAS No.)	No substance above 0.1 wt%
-------------------------------------	----------------------------

Phoenix Contact 2026 © - all rights reserved
<https://www.phoenixcontact.com>

Phoenix Contact USA
586 Fulling Mill Road
Middletown, PA 17057, United States
(+717) 944-1300
info@phoenixcon.com