

SACC-DSI-MINFS-3CON-M26 PCB - Flush-type connector



1457830

<https://www.phoenixcontact.com/us/products/1457830>

Please be informed that the data shown in this PDF document is generated from our online catalog. Please find the complete data in the user documentation. Our general terms of use for downloads are valid.

Sensor/actuator flush-type socket, 3-pos., 7/8", PCB mounting with M26 fastening thread



Commercial data

| | |
|--------------------------------------|--------------------------------|
| Item number | 1457830 |
| Packing unit | 1 pc |
| Note | Made to order (non-returnable) |
| Sales key | A11 |
| Product key | ABQPAA |
| GTIN | 4046356616942 |
| Weight per piece (including packing) | 64 g |
| Weight per piece (excluding packing) | 64 g |
| Customs tariff number | 85366990 |
| Country of origin | DE |

SACC-DSI-MINFS-3CON-M26 PCB - Flush-type connector



1457830

<https://www.phoenixcontact.com/us/products/1457830>

Technical data

Product properties

| | |
|----------------------|-----------------------------------|
| Product type | Circular connectors (device side) |
| Number of positions | 3 |
| No. of cable outlets | 1 |
| Shielded | no |
| Coding | A |

Insulation characteristics

| | |
|----------------------|----|
| Overvoltage category | II |
| Degree of pollution | 3 |

Material specifications

| | |
|--|------------------------------|
| Flammability rating according to UL 94 | HB |
| Seal material | Viton |
| Contact material | CuZn |
| Contact surface material | Au |
| Contact carrier material | PUR |
| Material for screw connection | Zinc die-cast, nickel-plated |

Electrical properties

| | |
|-----------------------|----------------------------|
| Contact resistance | $\leq 5 \text{ m}\Omega$ |
| Insulation resistance | $\geq 100 \text{ M}\Omega$ |
| Nominal voltage U_N | 250 V |
| Nominal current I_N | 12 A |

Connection data

Conductor connection

| | |
|-------------------|-------------|
| Connection method | Solder pins |
|-------------------|-------------|

Connector

Connection 1

| | |
|-------------------|------------|
| Head design | Socket |
| Head cable outlet | straight |
| Head thread type | 7/8"-16UNF |

Environmental and real-life conditions

Ambient conditions

| | |
|---|---------------------------|
| Degree of protection | IP67 |
| Ambient temperature (operation) (male connector/female connector) | -40 °C ... 85 °C (Socket) |

SACC-DSI-MINFS-3CON-M26 PCB - Flush-type connector

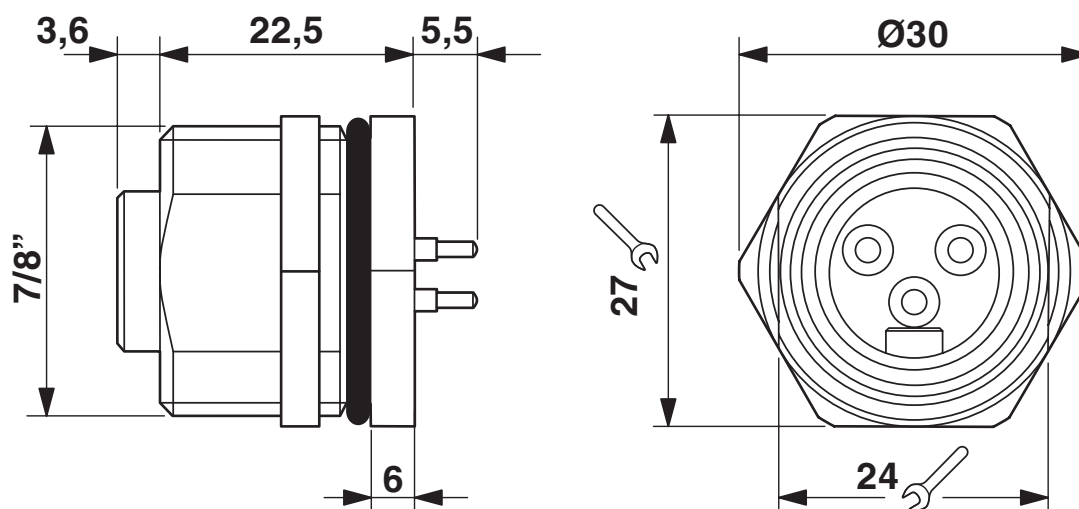


1457830

<https://www.phoenixcontact.com/us/products/1457830>

Drawings

Dimensional drawing



7/8" flush-type socket

SACC-DSI-MINFS-3CON-M26 PCB - Flush-type
connector

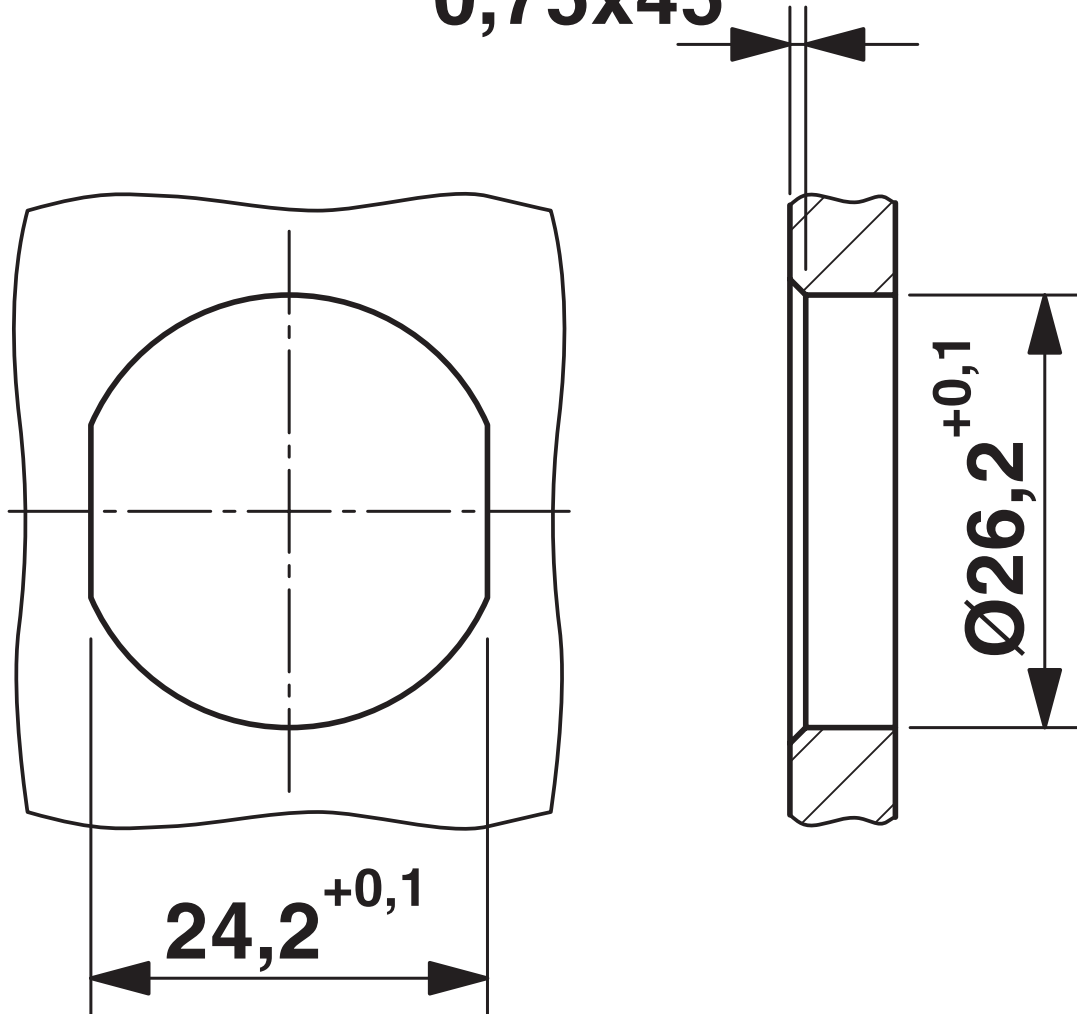


1457830

<https://www.phoenixcontact.com/us/products/1457830>

Dimensional drawing

0,75x45°

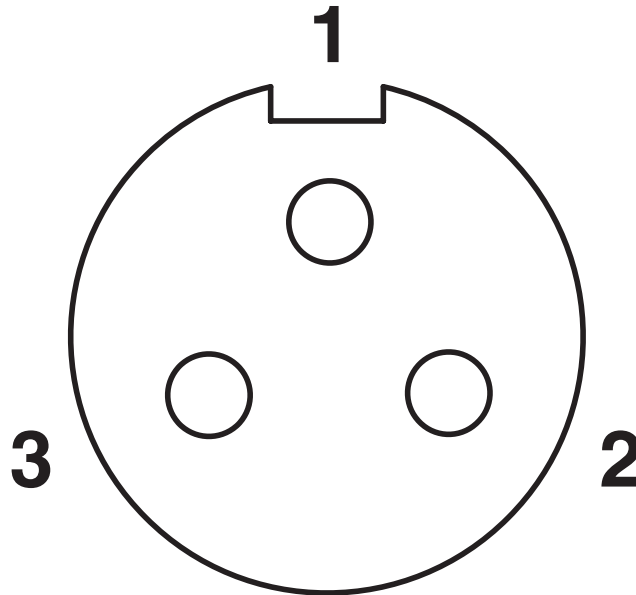


SACC-DSI-MINFS-3CON-M26 PCB - Flush-type connector

1457830

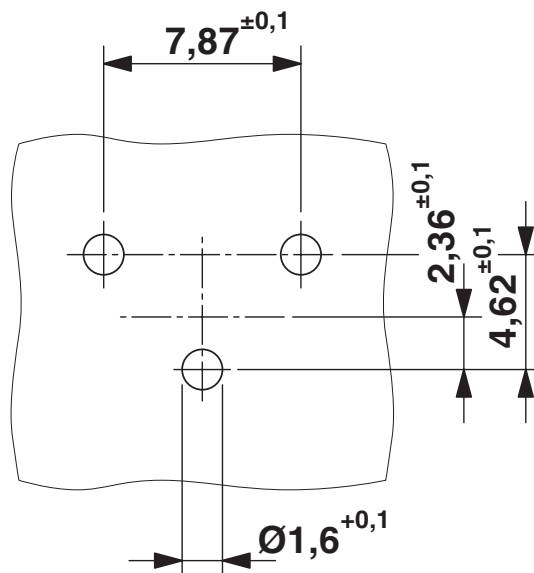
<https://www.phoenixcontact.com/us/products/1457830>

Schematic diagram



Connector pin assignment

Drilling plan/solder pad geometry



SACC-DSI-MINFS-3CON-M26 PCB - Flush-type connector



1457830

<https://www.phoenixcontact.com/us/products/1457830>

Phoenix Contact 2026 © - all rights reserved
<https://www.phoenixcontact.com>

Phoenix Contact USA
586 Fulling Mill Road
Middletown, PA 17057, United States
(+717) 944-1300
info@phoenixcon.com