

SACC-MSB-2SC SH PB EX - Data connector



1457733

<https://www.phoenixcontact.com/us/products/1457733>

Please be informed that the data shown in this PDF document is generated from our online catalog. Please find the complete data in the user documentation. Our general terms of use for downloads are valid.



Bus system connector, M12 male connector, PROFIBUS, shielded, B-coded, 2-pos., spring-cage connection, metal knurl, SPEEDCON fast locking system, suitable for installation in Ex zone 2 potentially explosive areas

Your advantages

- Safe use in the field, thanks to a high degree of protection
- Reliable signal transmission – 360° shielding in environments with electromagnetic interference
- Save time, thanks to installation with SPEEDCON fast locking system

Commercial data

Item number	1457733
Packing unit	1 pc
Minimum order quantity	1 pc
Product key	AF2CFC
GTIN	4046356627177
Weight per piece (including packing)	37.5 g
Weight per piece (excluding packing)	37.5 g
Country of origin	DE

SACC-MSB-2SC SH PB EX - Data connector



1457733

<https://www.phoenixcontact.com/us/products/1457733>

Technical data

Mounting

Assembly note	AWG 18 wire cross section upon request
---------------	--

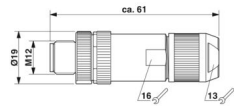
Product properties

Product type	Circular connector (cable-side)
Number of positions	2
No. of cable outlets	1
Shielded	yes
Coding	B

Insulation characteristics

Overvoltage category	II
Degree of pollution	3

Dimensions

Dimensional drawing	
Length	61 mm

External dimensions

Outside diameter	4 mm ... 8 mm
------------------	---------------

Material specifications

Flammability rating according to UL 94	V0
Seal material	NBR
Material of grip body	Zinc die-cast, nickel-plated
Contact material	CuSn
Contact surface material	Ni/Au
Contact carrier material	PA 6.6
Material for screw connection	Zinc die-cast, nickel-plated

Connection data

Conductor connection

Connection method	Spring-cage connection
Connection cross section	0.14 mm ² ... 0.5 mm ²
Connection cross section AWG	26 ... 20

Electrical properties

Contact resistance	≤ 8 mΩ
--------------------	--------

SACC-MSB-2SC SH PB EX - Data connector



1457733

<https://www.phoenixcontact.com/us/products/1457733>

Insulation resistance	≥ 100 MΩ
Nominal voltage U _N	30 V DC
Nominal current I _N	2 A

Connector

Connection 1

Head design	Plug
Head cable outlet	straight
Head thread type	M12
Head locking type	SPEEDCON
Coding	B

Environmental and real-life conditions

Ambient conditions

Degree of protection	IP67
Ambient temperature (operation) (male connector/female connector)	-30 °C ... 75 °C (Plug / socket)

Standards and regulations

M12

Standard designation	M12 connector
Standards/specifications	IEC 61076-2-101
Standard designation	ATEX Directive 94/9/EC
Standards/specifications	IEC 60079-0 IEC 60079-11 IEC 60079-15
Standard designation	Declaration of conformity
Standards/specifications	QSI 10 ATEX 2018U II 3G Ex nA II Gc
Standard designation	Shock, vibration
Standards/specifications	EN 50155:2001

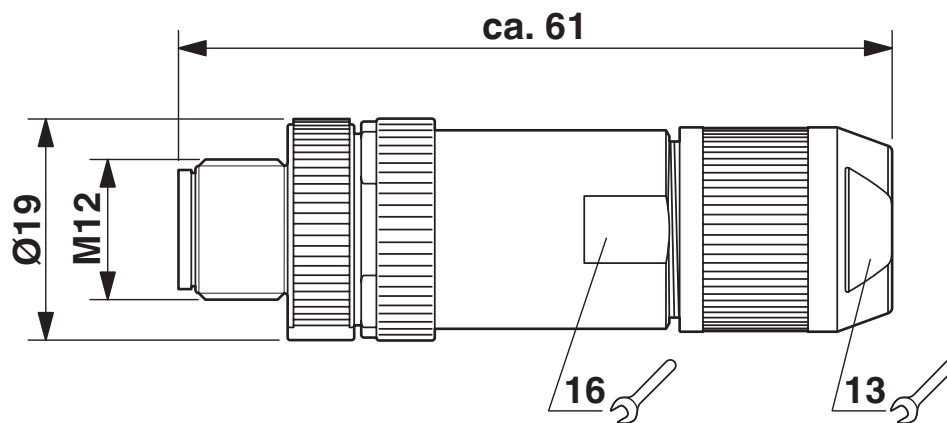
SACC-MSB-2SC SH PB EX - Data connector

1457733

<https://www.phoenixcontact.com/us/products/1457733>

Drawings

Dimensional drawing



M12 SPEEDCON plug, straight, shielded

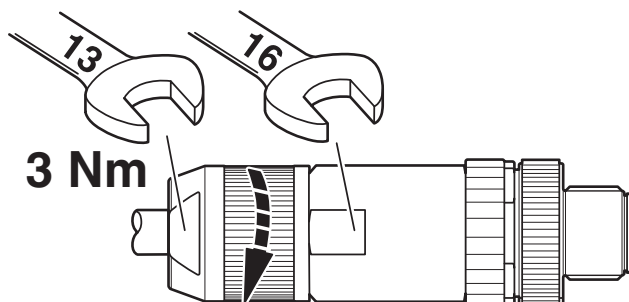
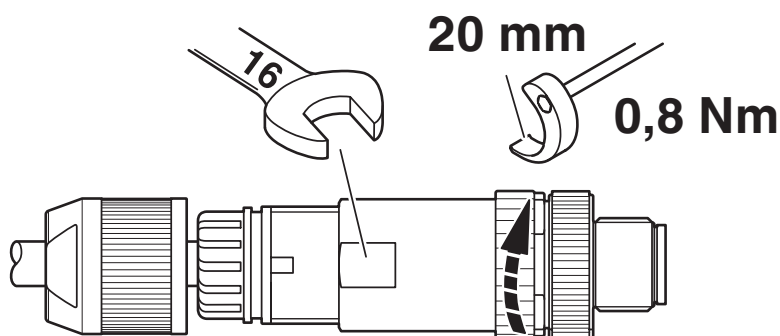
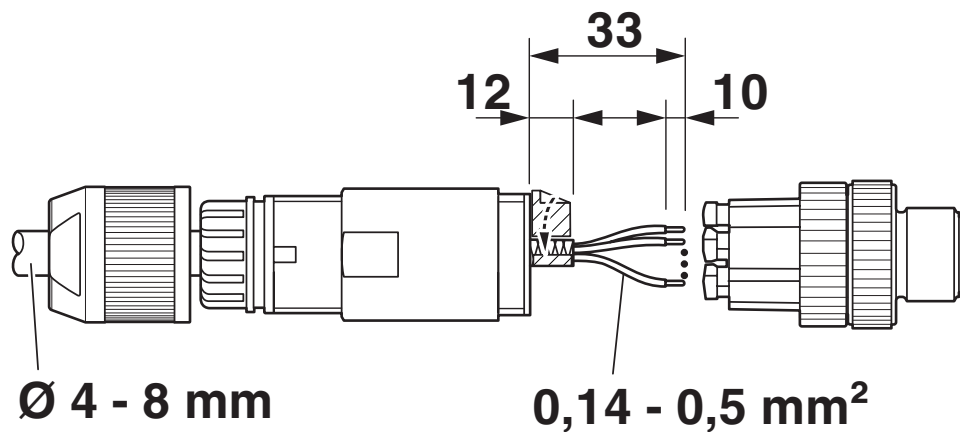
SACC-MSB-2SC SH PB EX - Data connector



1457733

<https://www.phoenixcontact.com/us/products/1457733>

Functional drawing



Slide the pressure nut and sleeve housing along the cable, strip the cable, shorten the shield, strip the single wires, connect the wires, in the case of a straight sleeve housing gently twist the wires together, stick the shielding foil around the shortened shield, in the case of a cable outside diameter < 6 mm stick an additional shielding foil around the wire pack, screw the sleeve housing to the plug insert, screw the pressure nut tight.

SACC-MSB-2SC SH PB EX - Data connector

1457733

<https://www.phoenixcontact.com/us/products/1457733>



Schematic diagram



Pin assignment M12 plug, 5-pos., B-coded

SACC-MSB-2SC SH PB EX - Data connector



1457733

<https://www.phoenixcontact.com/us/products/1457733>

Classifications

ECLASS

ECLASS-13.0	27440116
ECLASS-15.0	27440116

SACC-MSB-2SC SH PB EX - Data connector



1457733

<https://www.phoenixcontact.com/us/products/1457733>

Environmental product compliance

EU RoHS

Fulfills EU RoHS substance requirements	Yes, No exemptions
---	--------------------

China RoHS

Environment friendly use period (EFUP)	EFUP-E
	No hazardous substances above the limits

EU REACH SVHC

REACH candidate substance (CAS No.)	No substance above 0.1 wt%
-------------------------------------	----------------------------

Phoenix Contact 2026 © - all rights reserved
<https://www.phoenixcontact.com>

Phoenix Contact USA
586 Fulling Mill Road
Middletown, PA 17057, United States
(+717) 944-1300
info@phoenixcon.com