

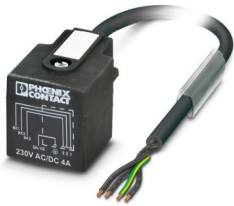
SAC-4P- 3,0-PVC/AD - Sensor/actuator cable



1455670

<https://www.phoenixcontact.com/us/products/1455670>

Please be informed that the data shown in this PDF document is generated from our online catalog. Please find the complete data in the user documentation. Our general terms of use for downloads are valid.



Sensor/actuator cable, 4-position, PVC, black RAL 9005, free cable end, on Valve connector AD (pressure switch), Wiring: unwired, cable length: 3 m

Commercial data

Item number	1455670
Packing unit	1 pc
Minimum order quantity	50 pc
Note	Made to order (non-returnable)
Product key	AF1DBA
GTIN	4046356579513
Weight per piece (including packing)	158.9 g
Weight per piece (excluding packing)	158.9 g
Country of origin	PL

SAC-4P- 3,0-PVC/AD - Sensor/actuator cable



1455670

<https://www.phoenixcontact.com/us/products/1455670>

Technical data

Product properties

Product type	Sensor/actuator cable with valve connector
Number of positions	4
No. of cable outlets	1

Insulation characteristics

Overvoltage category	III
Degree of pollution	3

Connection data

Conductor connection

Tightening torque	0.6 Nm (Valve connector)
-------------------	--------------------------

Material specifications

Flammability rating according to UL 94	V0
Material housing valve plug	TPU
Contact material	CuSn
Valve plug contact insert material	PA 6
Contact surface material	Sn

Electrical properties

Insulation resistance	$\geq 100 \text{ M}\Omega$
Nominal voltage U_N	230 V AC 230 V DC
Nominal current I_N	4 A

Signaling

Status display	no
Status display present	no

Connector

Connection 1

Type	free cable end
------	----------------

Connection 2

Type	Valve connector AD (pressure switch)
Material	CuSn (Contact)
	Sn (Contact surface)
	PA 6 (Contact carrier)
	TPU (Housing)
Protective circuit	unwired

SAC-4P- 3,0-PVC/AD - Sensor/actuator cable



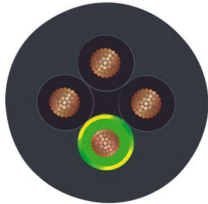
1455670

<https://www.phoenixcontact.com/us/products/1455670>

Cable/line

Cable length	3 m
--------------	-----

PVC black [PVC]

Dimensional drawing	
UL AWM Style	2464
Number of positions	4
Shielded	no
Cable type	PVC black [PVC]
Conductor structure signal line	16x 0.20 mm
AWG signal line	20
Conductor cross-section	4x 0.5 mm ²
Wire diameter incl. insulation	1.5 mm ±0.05 mm
External cable diameter	5.20 mm ±0.2 mm
Outer sheath, material	PVC
External sheath, color	black RAL 9005
Conductor material	Bare Cu litz wires
Material wire insulation	PVC
Single wire, color	black 1, black 2, black 3, green/yellow
Overall twist	4 wires, twisted
Max. conductor resistance	39 Ω/km (at 20 °C)
Insulation resistance	≥ 20 MΩ*km
Nominal voltage, cable	300 V
Test voltage	1200 V
Minimum bending radius, fixed installation	5 x D
Smallest bending radius, fixed installation	26 mm
Flame resistance	DIN VDE 0482 DIN EN 50265-2-1
Resistance to oil	largely oil-resistant
Ambient temperature (operation)	-40 °C ... 80 °C (cable, fixed installation) -5 °C ... 80 °C (Cable, flexible installation)

Environmental and real-life conditions

Ambient conditions

Degree of protection	IP65 IP67
----------------------	--------------

SAC-4P- 3,0-PVC/AD - Sensor/actuator cable



1455670

<https://www.phoenixcontact.com/us/products/1455670>

Ambient temperature (operation) (Valve connector)	-20 °C ... 85 °C (Valve connector)
---	------------------------------------

Standards and regulations

Valve connector

Standard designation	Valve connector
Standards/specifications	EN 175301-803

SAC-4P- 3,0-PVC/AD - Sensor/actuator cable

1455670

<https://www.phoenixcontact.com/us/products/1455670>

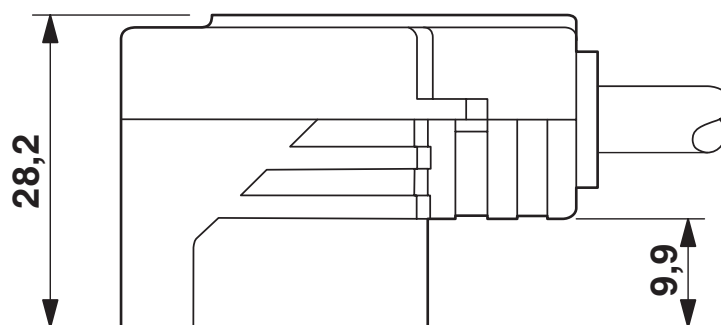
Drawings

Dimensional drawing



Valve connector, type AD

Dimensional drawing



Valve connector, type AD, side view

1455670

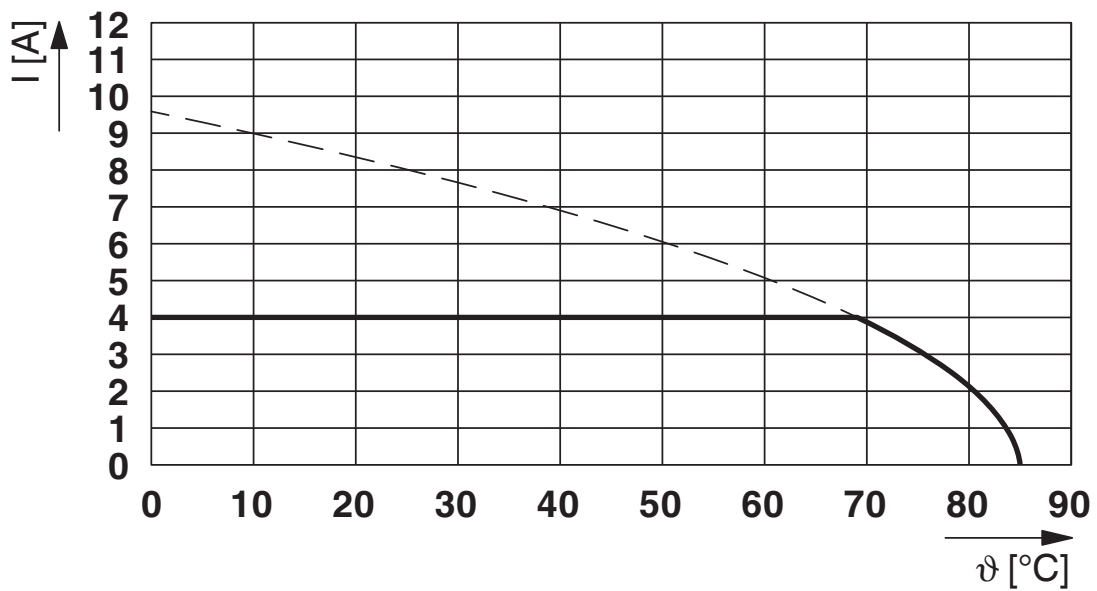
<https://www.phoenixcontact.com/us/products/1455670>

Schematic diagram



Valve plug connector pin assignment, type AD

Diagram



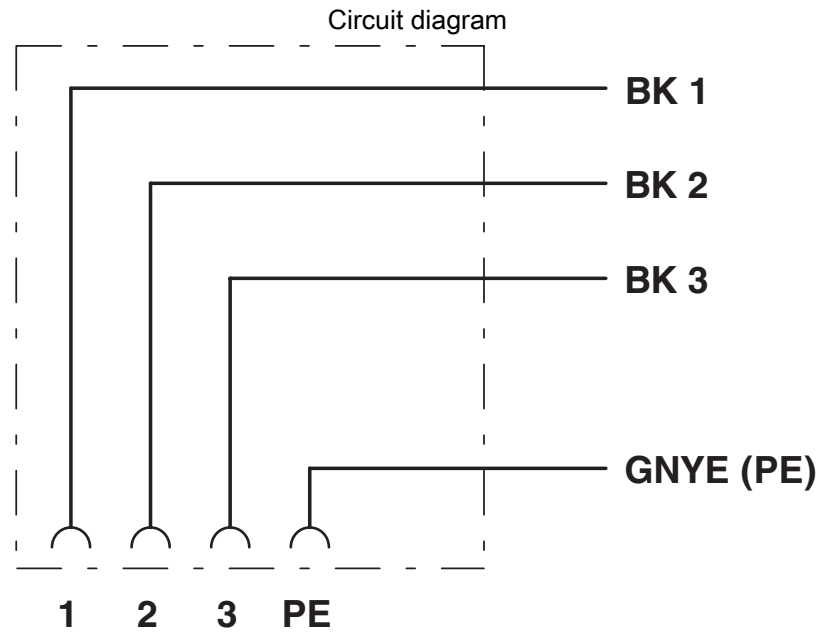
Derating diagram

SAC-4P- 3,0-PVC/AD - Sensor/actuator cable



1455670

<https://www.phoenixcontact.com/us/products/1455670>



Contact assignment of the valve plug

SAC-4P- 3,0-PVC/AD - Sensor/actuator cable




1455670

<https://www.phoenixcontact.com/us/products/1455670>

Approvals

To download certificates, visit the product detail page: <https://www.phoenixcontact.com/us/products/1455670>

 CSAus Approval ID: 13631				
	Nominal voltage U_N	Nominal current I_N	Cross section AWG	Cross section mm^2
keine				
	230 V	6 A	-	-

SAC-4P- 3,0-PVC/AD - Sensor/actuator cable



1455670

<https://www.phoenixcontact.com/us/products/1455670>

Classifications

ECLASS

ECLASS-13.0	27060312
ECLASS-15.0	27060312

ETIM

ETIM 9.0	EC001855
----------	----------

UNSPSC

UNSPSC 21.0	31251500
-------------	----------

SAC-4P- 3,0-PVC/AD - Sensor/actuator cable



1455670

<https://www.phoenixcontact.com/us/products/1455670>

Environmental product compliance

EU RoHS

Fulfills EU RoHS substance requirements	Yes, No exemptions
---	--------------------

China RoHS

Environment friendly use period (EFUP)	EFUP-E
	No hazardous substances above the limits

EU REACH SVHC

REACH candidate substance (CAS No.)	6,6'-di-tert-butyl-2,2'-methylenedi-p-cresol(CAS: 119-47-1)
-------------------------------------	---

Phoenix Contact 2026 © - all rights reserved
<https://www.phoenixcontact.com>

Phoenix Contact USA
586 Fulling Mill Road
Middletown, PA 17057, United States
(+717) 944-1300
info@phoenixcon.com