

SACC-DSI-MINMS-3CON-UNF PCB - Flush-type connector

1455007

<https://www.phoenixcontact.com/us/products/1455007>

Please be informed that the data shown in this PDF document is generated from our online catalog. Please find the complete data in the user documentation. Our general terms of use for downloads are valid.

Sensor/actuator flush-type plug, 3-pos., 7/8", PCB mounting with 7/8" fastening thread



Commercial data

Item number	1455007
Packing unit	1 pc
Note	Made to order (non-returnable)
Sales key	A11
Product key	ABQPAA
GTIN	4046356616973
Weight per piece (including packing)	44.7 g
Weight per piece (excluding packing)	44.7 g
Customs tariff number	85366990
Country of origin	DE

SACC-DSI-MINMS-3CON-UNF PCB - Flush-type connector



1455007

<https://www.phoenixcontact.com/us/products/1455007>

Technical data

Product properties

Product type	Circular connectors (device side)
Number of positions	3
No. of cable outlets	1
Shielded	no

Insulation characteristics

Overvoltage category	II
Degree of pollution	3

Material specifications

Flammability rating according to UL 94	HB
Seal material	Viton
Contact material	CuZn
Contact surface material	Au
Contact carrier material	PUR
Material for screw connection	Zinc die-cast, nickel-plated

Electrical properties

Contact resistance	$\leq 5 \text{ m}\Omega$
Insulation resistance	$\geq 100 \text{ M}\Omega$
Nominal voltage U_N	250 V
Nominal current I_N	12 A

Connection data

Conductor connection

Connection method	Solder pins
-------------------	-------------

Connector

Connection 1

Head design	Plug
Head cable outlet	straight
Head thread type	7/8"-16UNF

Environmental and real-life conditions

Ambient conditions

Degree of protection	IP67
Ambient temperature (operation) (male connector/female connector)	-40 °C ... 85 °C (Plug)

SACC-DSI-MINMS-3CON-UNF PCB - Flush-type connector

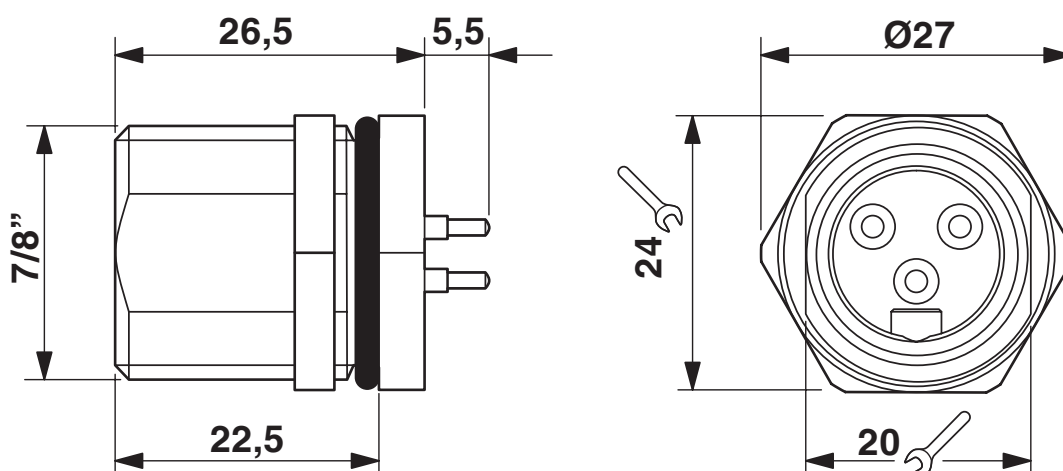


1455007

<https://www.phoenixcontact.com/us/products/1455007>

Drawings

Dimensional drawing



7/8" flush-type plug

SACC-DSI-MINMS-3CON-UNF PCB - Flush-type connector

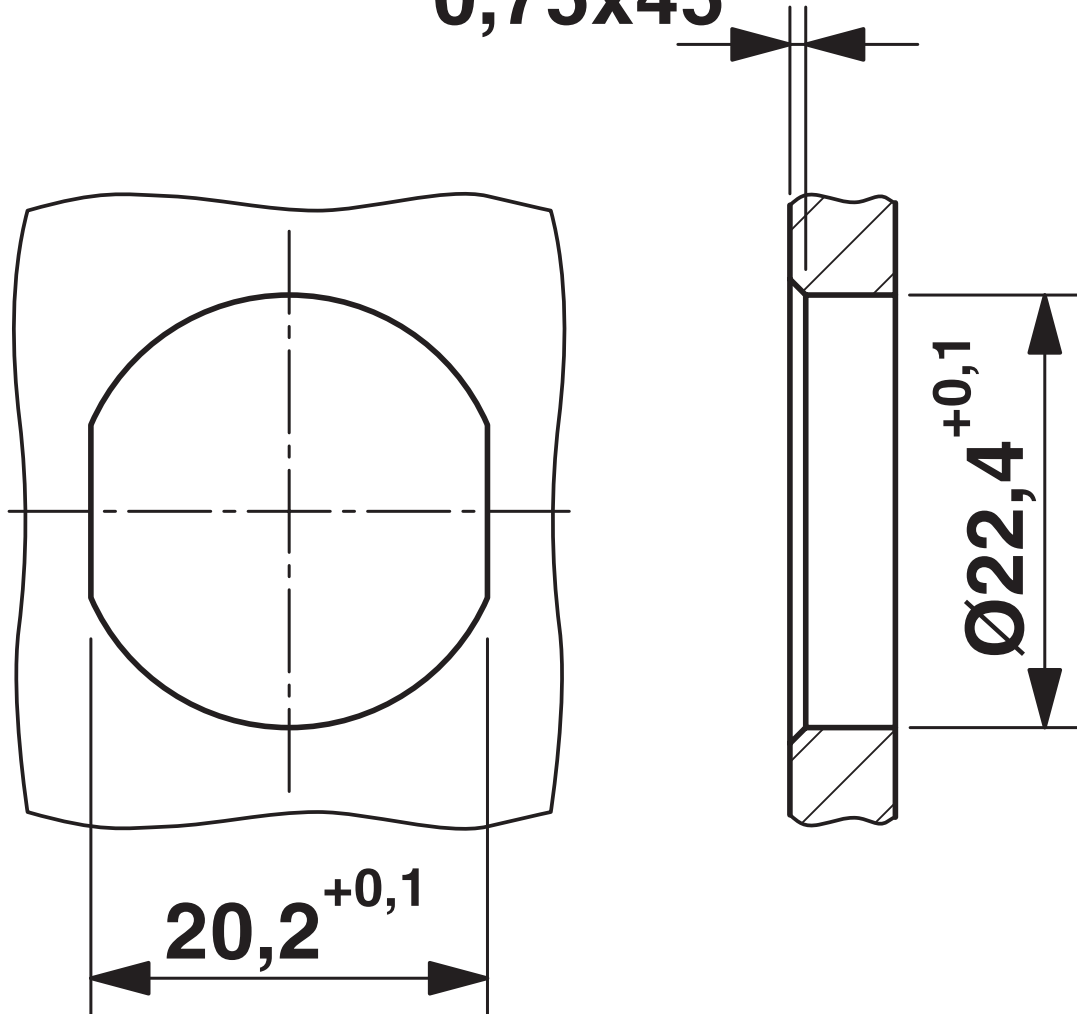


1455007

<https://www.phoenixcontact.com/us/products/1455007>

Dimensional drawing

0,75x45°

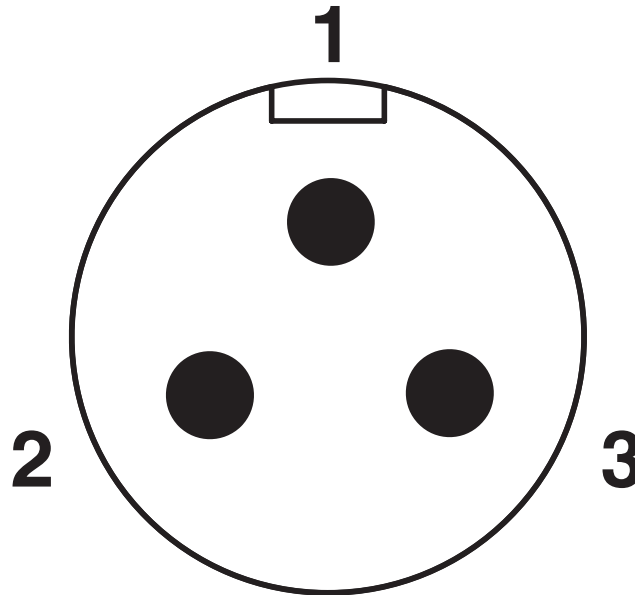


SACC-DSI-MINMS-3CON-UNF PCB - Flush-type connector

1455007

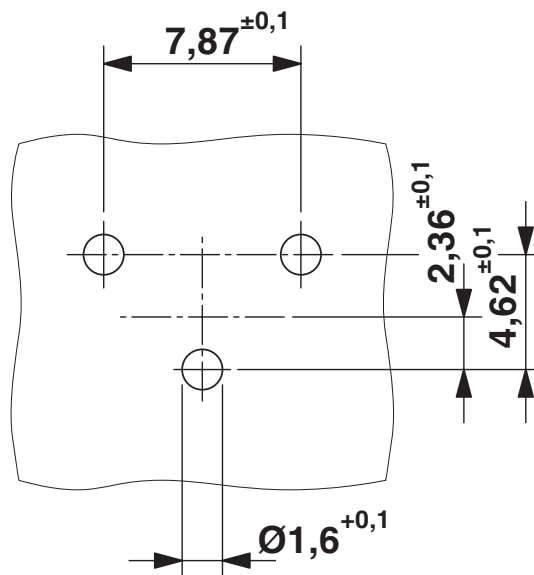
<https://www.phoenixcontact.com/us/products/1455007>

Schematic diagram



Connector pin assignment

Drilling plan/solder pad geometry



SACC-DSI-MINMS-3CON-UNF PCB - Flush-type connector



1455007

<https://www.phoenixcontact.com/us/products/1455007>

Phoenix Contact 2026 © - all rights reserved

<https://www.phoenixcontact.com>

Phoenix Contact USA
586 Fulling Mill Road
Middletown, PA 17057, United States
(+717) 944-1300
info@phoenixcon.com