

# SACC-DSI-MINFS-5CON-M26/1,0 - Device connector rear mounting



1453805

<https://www.phoenixcontact.com/us/products/1453805>

Please be informed that the data shown in this PDF document is generated from our online catalog. Please find the complete data in the user documentation. Our general terms of use for downloads are valid.



Sensor/actuator flush-type socket, 5-pos., 7/8", rear mounting with M26 fastening thread, with 1.0 m PE litz wire, 5 x 0.75 mm<sup>2</sup>

## Commercial data

Item number	1453805
Packing unit	1 pc
Note	Made to order (non-returnable)
Sales key	A11
Product key	ABQPAA
GTIN	4046356557863
Weight per piece (including packing)	143.3 g
Weight per piece (excluding packing)	143.3 g
Customs tariff number	85444290
Country of origin	DE

# SACC-DSI-MINFS-5CON-M26/1,0 - Device connector rear mounting



1453805

<https://www.phoenixcontact.com/us/products/1453805>

## Technical data

### Product properties

Product type	Circular connectors (device side)
Number of positions	5
No. of cable outlets	1
Shielded	no

### Insulation characteristics

Overvoltage category	II
Degree of pollution	3

### Material specifications

Flammability rating according to UL 94	HB
Contact material	CuZn
Contact surface material	Au
Contact carrier material	PUR
Material for screw connection	Zinc die-cast, nickel-plated

### Electrical properties

Contact resistance	$\leq 5 \text{ m}\Omega$
Insulation resistance	$\geq 100 \text{ M}\Omega$
Nominal voltage $U_N$	250 V
Nominal current $I_N$	9 A

### Connection data

#### Conductor connection

Connection method	Individual wires
-------------------	------------------

### Connector

#### Connection 1

Head design	Socket
Head cable outlet	straight
Head thread type	7/8"-16UNF

### Cable/line

Cable length	1 m
Cable type	PVC litz wire
Wire diameter incl. insulation	2.7 mm
Single wire, color	brown, white, blue, black, green-yellow
Cable cross section	0.75 mm <sup>2</sup>
Conductor structure signal line	24x 0.20 mm

# SACC-DSI-MINFS-5CON-M26/1,0 - Device connector rear mounting



1453805

<https://www.phoenixcontact.com/us/products/1453805>

AWG signal line	18
Material wire insulation	PVC
Thickness, insulation	0.85 mm (Core insulation)
Ambient temperature (operation)	-40 °C ... 85 °C (cable, fixed installation)

## Environmental and real-life conditions

### Ambient conditions

Degree of protection	IP67
Ambient temperature (operation) (male connector/female connector)	-40 °C ... 85 °C (Socket)
Ambient temperature (operation) (Cable, fixed installation)	-40 °C ... 85 °C (cable, fixed installation)

# SACC-DSI-MINFS-5CON-M26/1,0 - Device connector rear mounting

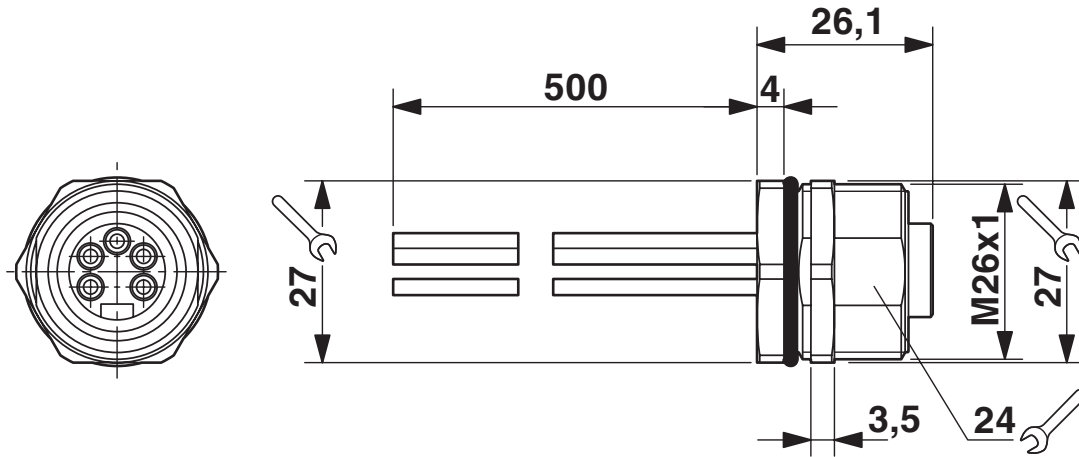


1453805

<https://www.phoenixcontact.com/us/products/1453805>

## Drawings

Dimensional drawing



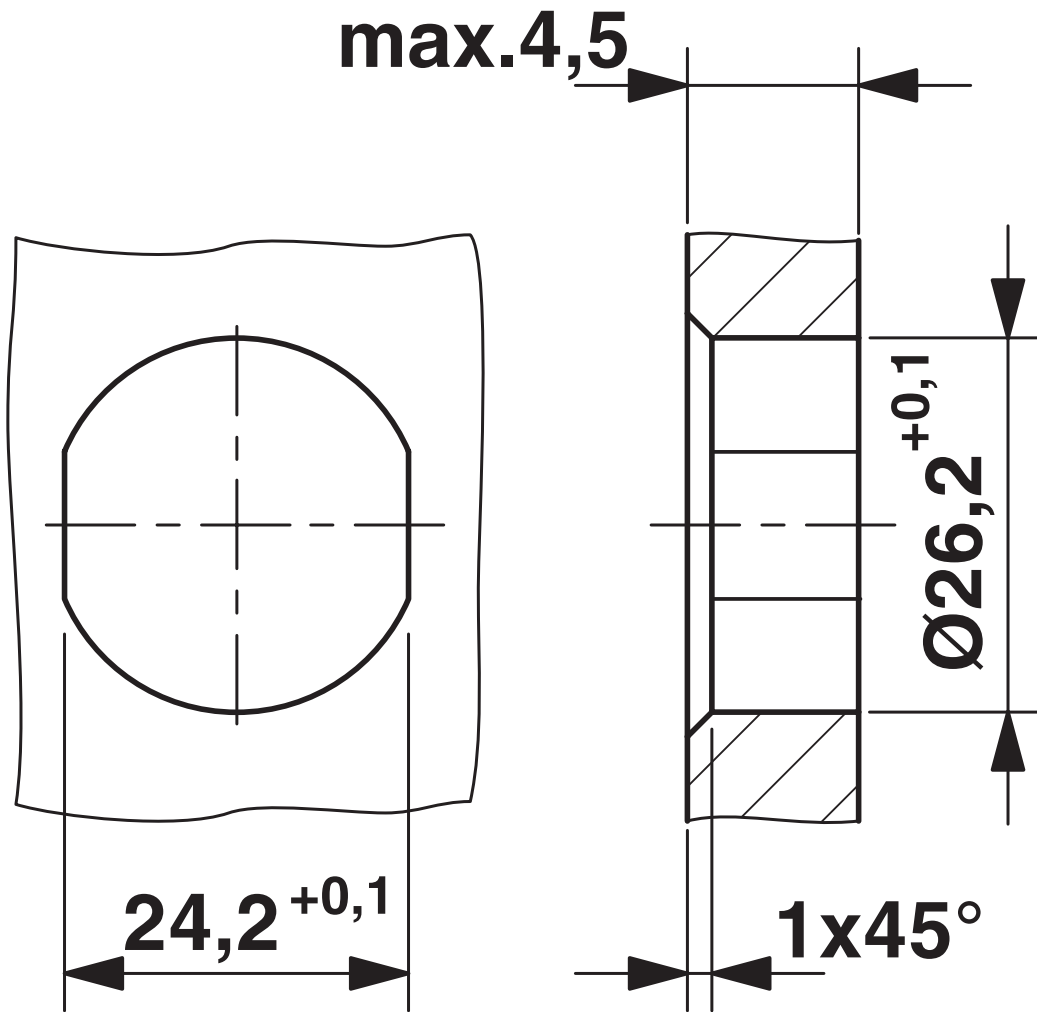
7/8" flush-type socket

SACC-DSI-MINFS-5CON-M26/1,0 - Device connector  
rear mounting

1453805

<https://www.phoenixcontact.com/us/products/1453805>

Dimensional drawing



Housing cutout

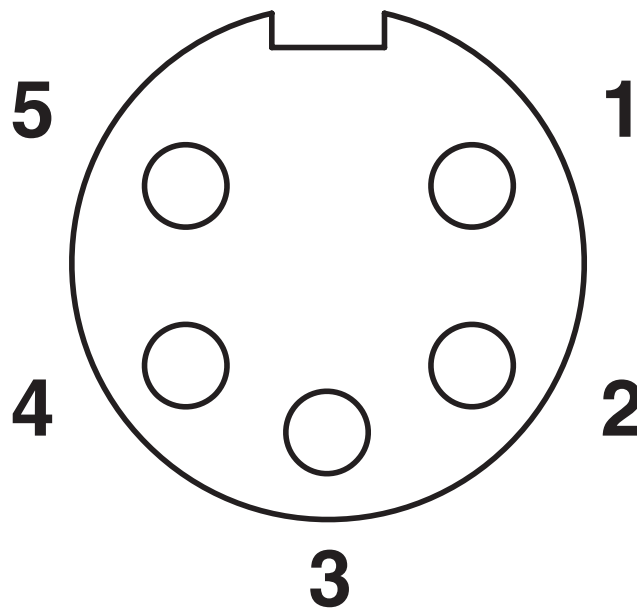
# SACC-DSI-MINFS-5CON-M26/1,0 - Device connector rear mounting



1453805

<https://www.phoenixcontact.com/us/products/1453805>

Schematic diagram



Connector pin assignment

Circuit diagram



# SACC-DSI-MINFS-5CON-M26/1,0 - Device connector rear mounting



1453805

<https://www.phoenixcontact.com/us/products/1453805>

## Environmental product compliance

### China RoHS

Environment friendly use period (EFUP)	EFUP-25
	An article-related China RoHS declaration table can be found in the download area for the respective article under "Manufacturer declaration". For all articles with EFUP-E, no China RoHS declaration table issued and required.

### EU REACH SVHC

REACH candidate substance (CAS No.)	No substance above 0.1 wt%
-------------------------------------	----------------------------

Phoenix Contact 2026 © - all rights reserved  
<https://www.phoenixcontact.com>

Phoenix Contact USA  
586 Fulling Mill Road  
Middletown, PA 17057, United States  
(+717) 944-1300  
[info@phoenixcon.com](mailto:info@phoenixcon.com)