

# SAC-3P-MS/ 3,0-116/A-1L-Z SCO - Sensor/actuator cable



1453436

<https://www.phoenixcontact.com/us/products/1453436>

Please be informed that the data shown in this PDF document is generated from our online catalog. Please find the complete data in the user documentation. Our general terms of use for downloads are valid.



Sensor/actuator cable, 3-position, PUR/PVC, black RAL 9005, Plug straight M12 SPEEDCON, coding: A, on Valve connector A, with 1 LED, Wiring: Z diode, cable length: 3 m

## Commercial data

Item number	1453436
Packing unit	1 pc
Minimum order quantity	1 pc
Product key	AF1DJA
GTIN	4046356552967
Weight per piece (including packing)	189.2 g
Weight per piece (excluding packing)	189.2 g
Country of origin	PL

# SAC-3P-MS/ 3,0-116/A-1L-Z SCO - Sensor/actuator cable



1453436

<https://www.phoenixcontact.com/us/products/1453436>

## Technical data

### Product properties

Product type	Sensor/actuator cable with valve connector
Number of positions	3
No. of cable outlets	1
Shielded	no
Coding	A

### Insulation characteristics

Overvoltage category	III
Degree of pollution	3

### Material specifications

Flammability rating according to UL 94	HB
--	----

### Electrical properties

Nominal voltage $U_N$	24 V AC
	24 V DC
Nominal current $I_N$	4 A

### Signaling

Status display	1 LED
Status display present	yes

### Connector

#### Connection 1

Type	Plug straight M12 SPEEDCON
Number of positions	3
Locking type	SPEEDCON
Coding type	A

#### Connection 2

Type	Valve connector A
Protective circuit	Z diode

### Cable/line


Cable length	3 m
--------------	-----

PUR/PVC, 0.75 mm<sup>2</sup>, black [116]

# SAC-3P-MS/ 3,0-116/A-1L-Z SCO - Sensor/actuator cable

1453436

<https://www.phoenixcontact.com/us/products/1453436>

Dimensional drawing	
Cable weight	53.4 kg/km
UL AWM Style	20549
Number of positions	3
Shielded	no
Cable type	PUR/PVC, 0.75 mm <sup>2</sup> , black [116]
Conductor structure signal line	24x 0.20 mm
AWG signal line	18
Conductor cross-section	3x 0.75 mm <sup>2</sup>
Wire diameter incl. insulation	1.7 mm ±0.05 mm
External cable diameter	5.80 mm ±0.2 mm
Outer sheath, material	PUR
External sheath, color	black RAL 9005
Conductor material	Bare Cu litz wires
Material wire insulation	PVC
Single wire, color	black 1, black 2, green/yellow
Overall twist	3 wires, twisted
Max. conductor resistance	26 Ω/km (at 20 °C)
Insulation resistance	≥ 20 MΩ*km
Nominal voltage, cable	300 V
Test voltage	1200 V
Minimum bending radius, fixed installation	5 x D
Minimum bending radius, flexible installation	10 x D
Smallest bending radius, fixed installation	29 mm
Smallest bending radius, movable installation	58 mm
Dynamic load capacity (bending)	Max. bending cycles: 1000000, Traversing path: 10 m, Traversing rate: 2 m/s, Acceleration: 2.5 m/s <sup>2</sup>
Flame resistance	DIN VDE 0482 DIN EN 50265-2-1 in acc. with UL FT-2
Resistance to oil	in accordance with DIN EN 60811-2-1
Other resistance	Low adhesion
Special properties	flexible
Ambient temperature (operation)	-40 °C ... 80 °C (cable, fixed installation) -5 °C ... 80 °C (Cable, flexible installation)

## Environmental and real-life conditions

# SAC-3P-MS/ 3,0-116/A-1L-Z SCO - Sensor/actuator cable



1453436

<https://www.phoenixcontact.com/us/products/1453436>

## Ambient conditions

Degree of protection	IP65
	IP67
Ambient temperature (operation)	-25 °C ... 90 °C (Plug / socket)
	-20 °C ... 85 °C (Valve connector)
	-40 °C ... 80 °C (cable, fixed installation)
	-15 °C ... 80 °C (Cable, flexible installation)

# SAC-3P-MS/ 3,0-116/A-1L-Z SCO - Sensor/actuator cable

1453436

<https://www.phoenixcontact.com/us/products/1453436>

## Drawings

Dimensional drawing



Plug, M12 x 1, straight, shielded

Dimensional drawing



Valve connector, type A

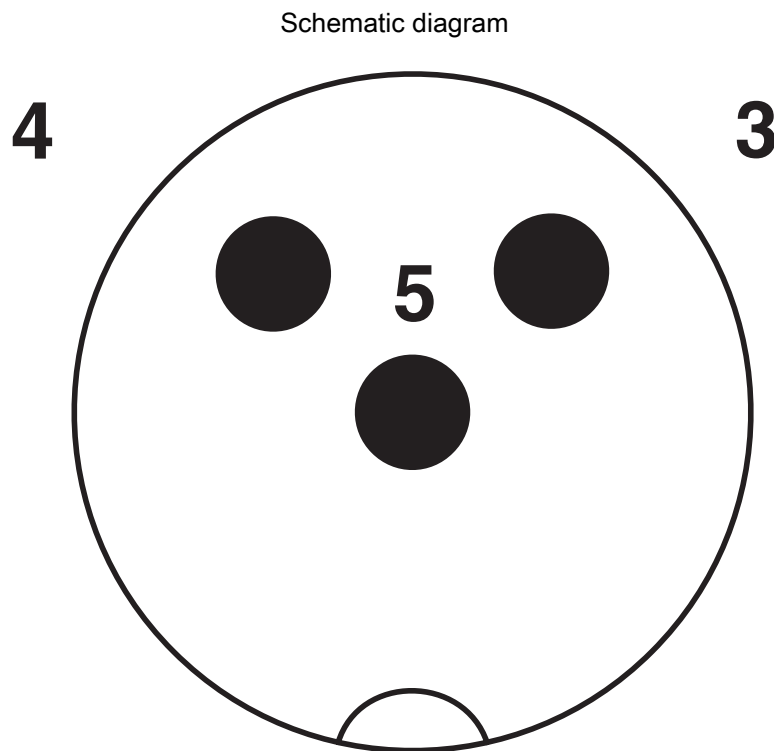
# SAC-3P-MS/ 3,0-116/A-1L-Z SCO - Sensor/actuator cable

1453436

<https://www.phoenixcontact.com/us/products/1453436>



Valve connector, type A, side view



Pin assignment M12 plug, 3-pos., valve connector

# SAC-3P-MS/ 3,0-116/A-1L-Z SCO - Sensor/actuator cable

1453436

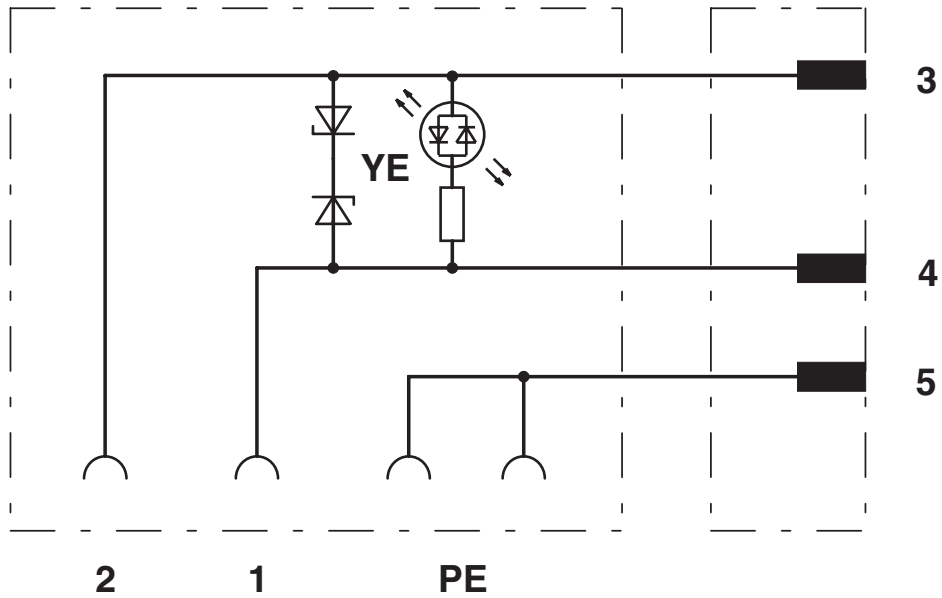
<https://www.phoenixcontact.com/us/products/1453436>

Schematic diagram



Valve connector pin assignment, type A

Circuit diagram



Contact assignment of M12 plug and valve connector

# SAC-3P-MS/ 3,0-116/A-1L-Z SCO - Sensor/actuator cable



1453436

<https://www.phoenixcontact.com/us/products/1453436>

## Classifications

### ECLASS

ECLASS-13.0	27060312
ECLASS-15.0	27060312

Phoenix Contact 2026 © - all rights reserved

<https://www.phoenixcontact.com>

Phoenix Contact USA  
586 Fulling Mill Road  
Middletown, PA 17057, United States  
(+717) 944-1300  
[info@phoenixcon.com](mailto:info@phoenixcon.com)