

SAC-3P- 5,0-116/A-1L-Z - Sensor/actuator cable



1453397

<https://www.phoenixcontact.com/us/products/1453397>

Please be informed that the data shown in this PDF document is generated from our online catalog. Please find the complete data in the user documentation. Our general terms of use for downloads are valid.



Sensor/actuator cable, 3-position, PUR/PVC, black RAL 9005, free cable end, on Valve connector A, with 1 LED, Wiring: Z diode, cable length: 5 m

Commercial data

Item number	1453397
Packing unit	1 pc
Minimum order quantity	1 pc
Sales key	BF07
Product key	AF1DAA
GTIN	4046356552936
Weight per piece (including packing)	279.3 g
Weight per piece (excluding packing)	277.8 g
Customs tariff number	85444290
Country of origin	PL

SAC-3P- 5,0-116/A-1L-Z - Sensor/actuator cable



1453397

<https://www.phoenixcontact.com/us/products/1453397>

Technical data

Product properties

Product type	Sensor/actuator cable with valve connector
Number of positions	3

Insulation characteristics

Overvoltage category	III
Degree of pollution	3

Material specifications

Flammability rating according to UL 94	V0
Seal material	TPU
Material housing valve plug	TPU
Contact material	CuSn
Valve plug contact insert material	PA 6.6
Contact surface material	Sn

Electrical properties

Insulation resistance	≥ 100 MΩ
Nominal voltage U_N	24 V AC
	24 V DC
Nominal current I_N	4 A

Signaling

Status display	1 LED
Status display present	yes

Connector

Connection 1

Type	free cable end
------	----------------

Connection 2

Type	Valve connector A
Material	CuSn (Contact)
	Sn (Contact surface)
	PA 6.6 (Contact carrier)
	TPU (Housing)
Protective circuit	Z diode

Cable/line

Cable length	5 m
--------------	-----


PUR/PVC, 0.75 mm², black [116]

SAC-3P- 5,0-116/A-1L-Z - Sensor/actuator cable



1453397

<https://www.phoenixcontact.com/us/products/1453397>

Dimensional drawing	
Cable weight	53.4 kg/km
UL AWM Style	20549
Number of positions	3
Shielded	no
Cable type	PUR/PVC, 0.75 mm ² , black [116]
Conductor structure signal line	24x 0.20 mm
AWG signal line	18
Conductor cross-section	3x 0.75 mm ²
Wire diameter incl. insulation	1.7 mm ±0.05 mm
External cable diameter	5.80 mm ±0.2 mm
Outer sheath, material	PUR
External sheath, color	black RAL 9005
Conductor material	Bare Cu litz wires
Material wire insulation	PVC
Single wire, color	black 1, black 2, green/yellow
Overall twist	3 wires, twisted
Max. conductor resistance	26 Ω/km (at 20 °C)
Insulation resistance	≥ 20 MΩ*km
Nominal voltage, cable	300 V
Test voltage	1200 V
Minimum bending radius, fixed installation	5 x D
Minimum bending radius, flexible installation	10 x D
Smallest bending radius, fixed installation	29 mm
Smallest bending radius, movable installation	58 mm
Dynamic load capacity (bending)	Max. bending cycles: 1000000, Traversing path: 10 m, Traversing rate: 2 m/s, Acceleration: 2.5 m/s ²
Flame resistance	DIN VDE 0482 DIN EN 50265-2-1 in acc. with UL FT-2
Resistance to oil	in accordance with DIN EN 60811-2-1
Other resistance	Low adhesion
Special properties	flexible
Ambient temperature (operation)	-40 °C ... 80 °C (cable, fixed installation) -5 °C ... 80 °C (Cable, flexible installation)

Environmental and real-life conditions

SAC-3P- 5,0-116/A-1L-Z - Sensor/actuator cable



1453397

<https://www.phoenixcontact.com/us/products/1453397>

Ambient conditions

Degree of protection	IP65
	IP67
Ambient temperature (operation)	-20 °C ... 85 °C (Valve connector)
	-40 °C ... 80 °C (cable, fixed installation)
	-5 °C ... 80 °C (Cable, flexible installation)

SAC-3P- 5,0-116/A-1L-Z - Sensor/actuator cable

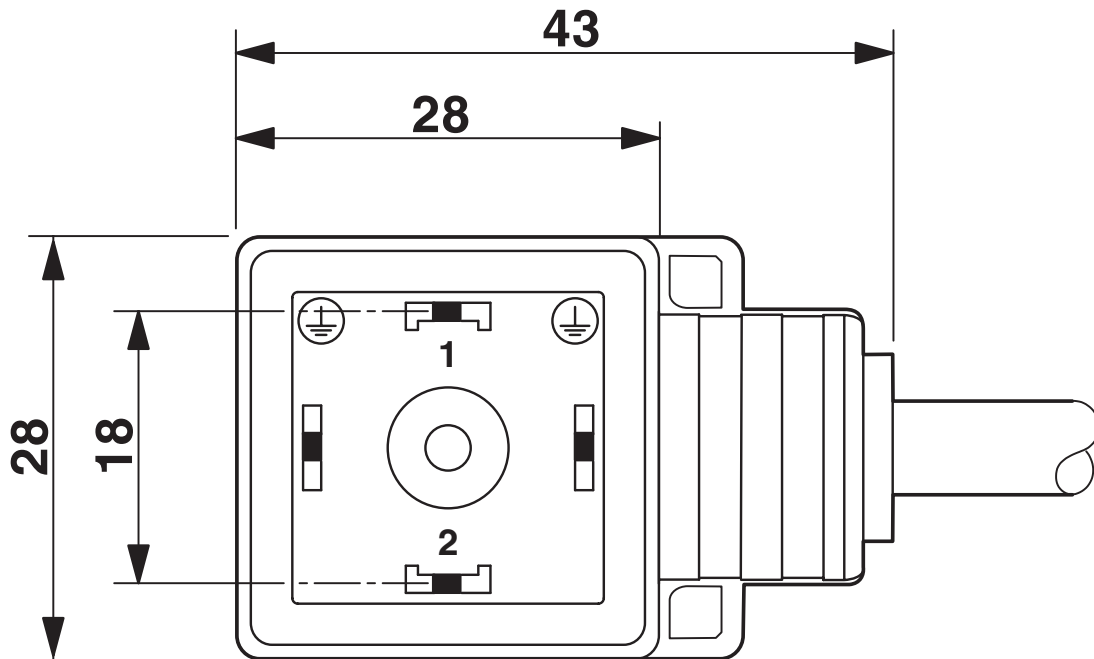


1453397

<https://www.phoenixcontact.com/us/products/1453397>

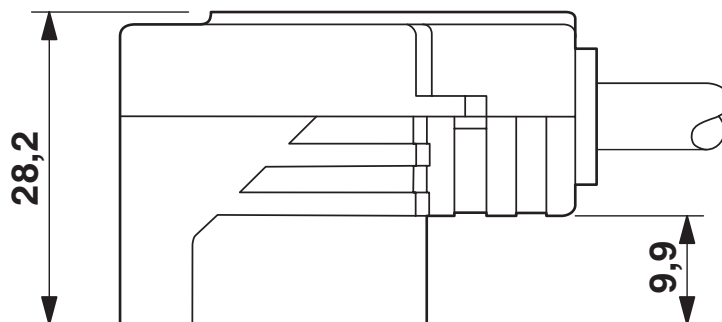
Drawings

Dimensional drawing



Valve connector, type A

Dimensional drawing

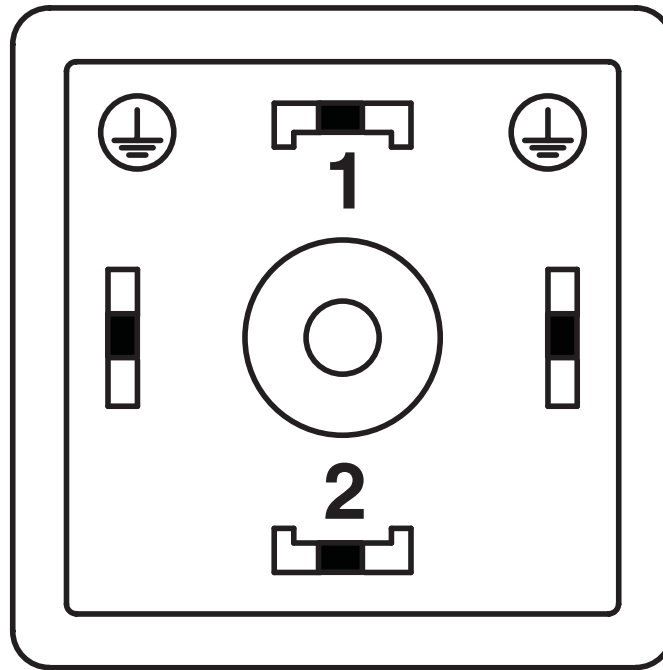


Valve connector, type A, side view

1453397

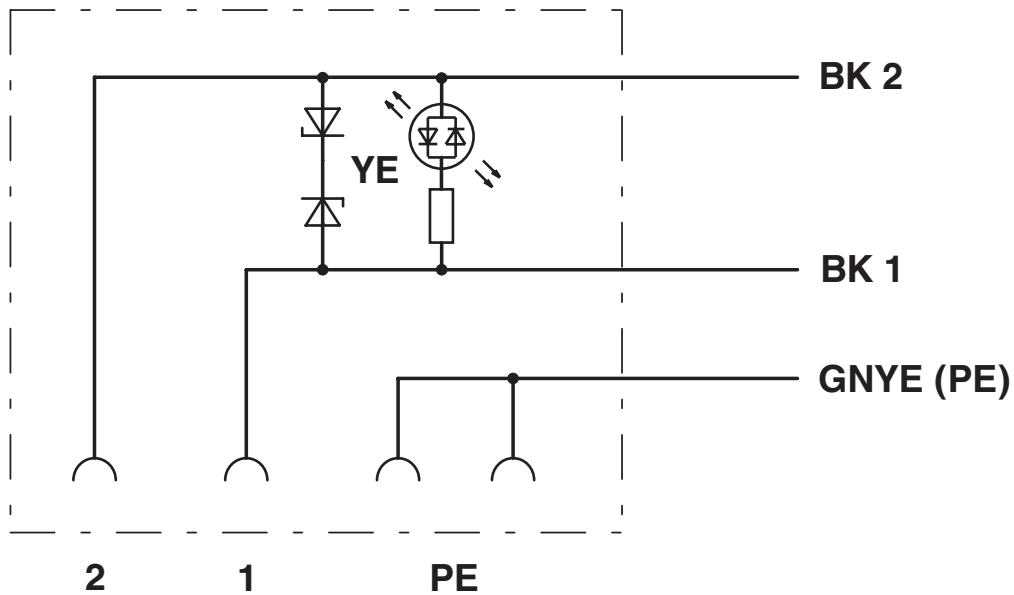
<https://www.phoenixcontact.com/us/products/1453397>

Schematic diagram



Valve connector pin assignment, type A

Circuit diagram



Contact assignment of the valve plug

SAC-3P- 5,0-116/A-1L-Z - Sensor/actuator cable





1453397

<https://www.phoenixcontact.com/us/products/1453397>

Approvals

To download certificates, visit the product detail page: <https://www.phoenixcontact.com/us/products/1453397>

 CSA Approval ID: 13631				
	Nominal voltage U_N	Nominal current I_N	Cross section AWG	Cross section mm^2
keine				
	24 V	4 A	-	-

 CSAus Approval ID: 13631				
	Nominal voltage U_N	Nominal current I_N	Cross section AWG	Cross section mm^2
keine				
	24 V	4 A	-	-

SAC-3P- 5,0-116/A-1L-Z - Sensor/actuator cable



1453397

<https://www.phoenixcontact.com/us/products/1453397>

Classifications

ECLASS

ECLASS-13.0	27060312
ECLASS-15.0	27060312

ETIM

ETIM 10.0	EC001855
-----------	----------

UNSPSC

UNSPSC 21.0	31251500
-------------	----------

SAC-3P- 5,0-116/A-1L-Z - Sensor/actuator cable



1453397

<https://www.phoenixcontact.com/us/products/1453397>

Environmental product compliance

EU RoHS

Fulfills EU RoHS substance requirements	Yes
Exemption	7(c)-I

China RoHS

Environment friendly use period (EFUP)	EFUP-50
	An article-related China RoHS declaration table can be found in the download area for the respective article under "Manufacturer declaration". For all articles with EFUP-E, no China RoHS declaration table issued and required.

EU REACH SVHC

REACH candidate substance (CAS No.)	Diboron trioxide(CAS: 1303-86-2)
	Lead monoxide (lead oxide)(CAS: 1317-36-8)

Phoenix Contact 2026 © - all rights reserved

<https://www.phoenixcontact.com>

Phoenix Contact USA
586 Fulling Mill Road
Middletown, PA 17057, United States
(+717) 944-1300
info@phoenixcon.com