

SAC-2P-MS/1,5-PUR/ZC-1L-S SCO - Sensor/actuator cable



1453287

<https://www.phoenixcontact.com/us/products/1453287>

Please be informed that the data shown in this PDF document is generated from our online catalog. Please find the complete data in the user documentation. Our general terms of use for downloads are valid.



Sensor/actuator cable, 2-position, PUR, gray RAL 7001, Plug straight M12 SPEEDCON, coding: A, with 1 LED, on Valve connector Festo ZC, with 1 LED, Wiring: Protective circuit and holding current reduction, cable length: 1.5 m

Your advantages

- Easy and safe: 100 % electrically tested plug-in components
- Save time, thanks to installation with SPEEDCON fast locking system
- Connecting cable specially for Festo KMYZ9 type valves

Commercial data

Item number	1453287
Packing unit	1 pc
Minimum order quantity	1 pc
Sales key	BF19
Product key	AF1DWA
GTIN	4046356550994
Weight per piece (including packing)	28.8 g
Weight per piece (excluding packing)	28 g
Customs tariff number	85444290
Country of origin	PL

SAC-2P-MS/1,5-PUR/ZC-1L-S SCO - Sensor/actuator cable



1453287

<https://www.phoenixcontact.com/us/products/1453287>

Technical data

Product properties

Product type	Sensor/actuator cable with valve connector
Application	Standard
Number of positions	2
No. of cable outlets	1
Shielded	no
Coding	A

Insulation characteristics

Overvoltage category	II
Degree of pollution	3

Connection data

Conductor connection

Tightening torque	0.4 Nm (M12 connector)
-------------------	------------------------

Material specifications

Flammability rating according to UL 94	HB
Seal material	NBR
Material housing valve plug	PA
Contact material	CuSn
Contact surface material	Ni/Au
Contact carrier material	TPU GF
Contact material	CuSn
Contact surface material	Sn
Material for screw connection	Zinc die-cast, nickel-plated

Electrical properties

Insulation resistance	$\geq 100 \text{ M}\Omega$
Nominal voltage U_N	24 V DC
Nominal current I_N	4 A

Valve connector characteristics

Fixing screws	M2
---------------	----

Mechanical properties

Mechanical data

Insertion/withdrawal cycles	≥ 100
-----------------------------	------------

Signaling

Status display	1 LED
Status display present	yes

SAC-2P-MS/1,5-PUR/ZC-1L-S SCO - Sensor/actuator cable

1453287

<https://www.phoenixcontact.com/us/products/1453287>

Connector

Connection 1

Type	Plug straight M12 SPEEDCON
Number of positions	2
Locking type	SPEEDCON
Coding type	A
Material	CuSn (Contact)
	Ni/Au (Contact surface)
	TPU GF (Contact carrier)
	TPU, hardly inflammable, self-extinguishing (Grip body)

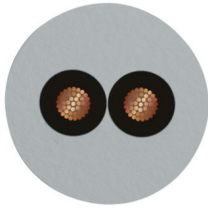
Connection 2

Type	Valve connector Festo ZC
Number of positions	2
Material	CuSn (Contact)
	Sn (Contact surface)
	PA (Housing)
Protective circuit	Protective circuit and holding current reduction

Cable/line

Cable length	1.5 m
--------------	-------

PUR gray [PUR]

Dimensional drawing	
Number of positions	2
Shielded	no
Cable type	PUR gray [PUR]
AWG signal line	24
Conductor cross-section	2x 0.25 mm ² (Signal line)
External cable diameter	3.40 mm
Outer sheath, material	PUR
External sheath, color	gray RAL 7001
Conductor material	Bare Cu litz wires
Single wire, color	black, black
Ambient temperature (operation)	-10 °C ... 50 °C (cable, fixed installation)
	-10 °C ... 50 °C (Cable, flexible installation)

SAC-2P-MS/1,5-PUR/ZC-1L-S SCO - Sensor/actuator cable



1453287

<https://www.phoenixcontact.com/us/products/1453287>

Environmental and real-life conditions

Ambient conditions

Degree of protection	IP65
	IP67
	IP68
Ambient temperature (operation) (Valve connector)	-10 °C ... 50 °C (Valve connector)
Ambient temperature (operation) (male connector/female connector)	-25 °C ... 90 °C (Plug / socket)

SAC-2P-MS/1,5-PUR/ZC-1L-S SCO - Sensor/actuator cable

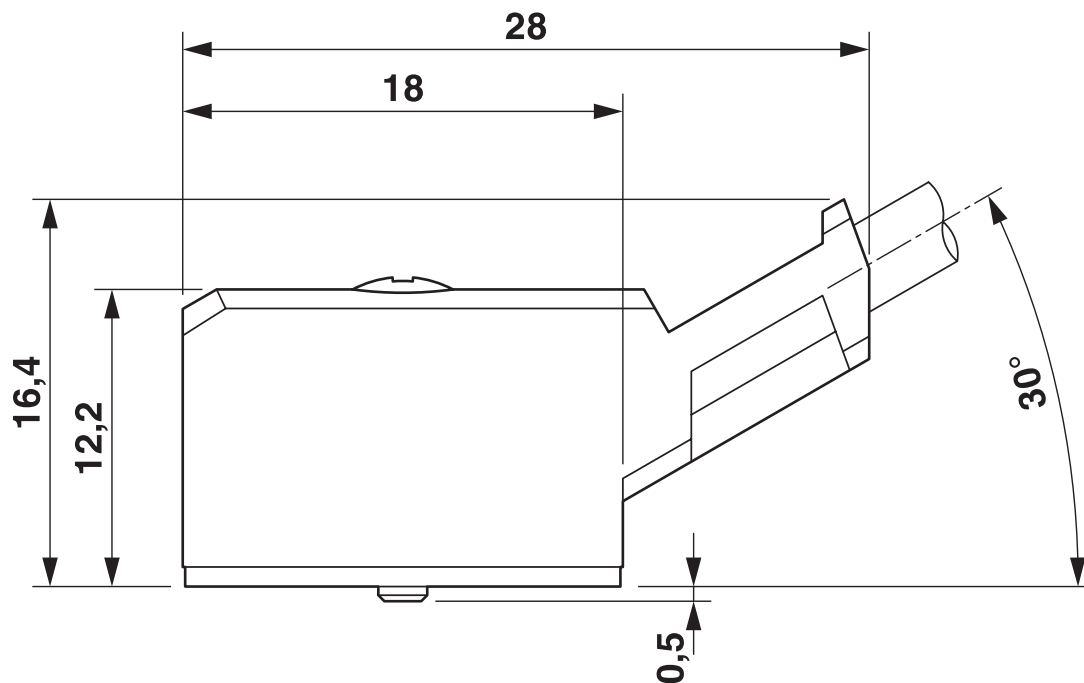


1453287

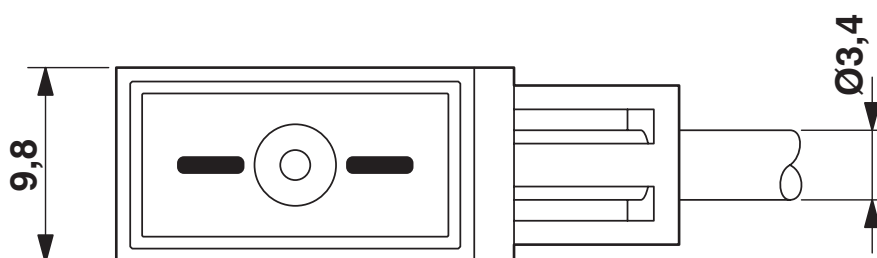
<https://www.phoenixcontact.com/us/products/1453287>

Drawings

Dimensional drawing



Dimensional drawing



SAC-2P-MS/1,5-PUR/ZC-1L-S SCO - Sensor/actuator cable

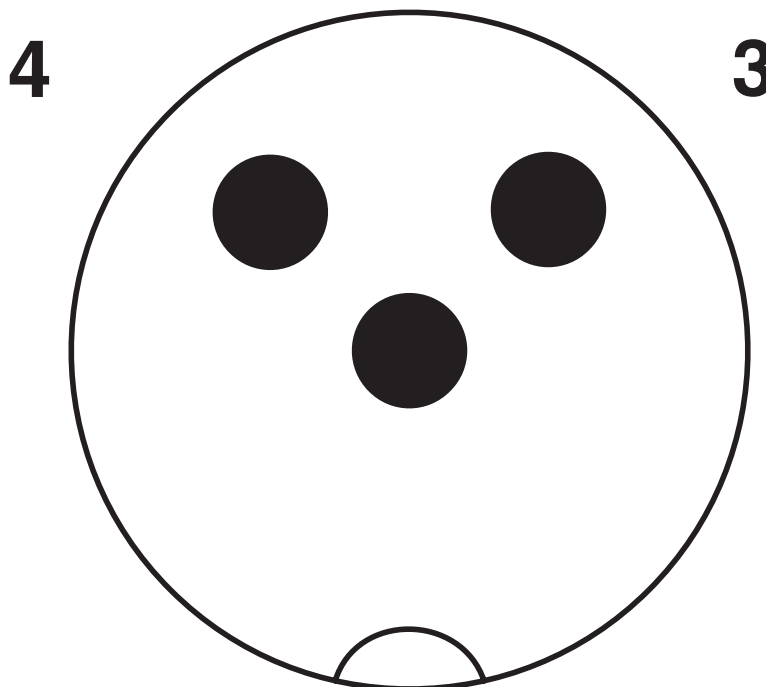
1453287

<https://www.phoenixcontact.com/us/products/1453287>

Dimensional drawing



Schematic diagram



SAC-2P-MS/1,5-PUR/ZC-1L-S SCO - Sensor/actuator cable



1453287

<https://www.phoenixcontact.com/us/products/1453287>

Schematic diagram



SAC-2P-MS/1,5-PUR/ZC-1L-S SCO - Sensor/actuator cable



1453287

<https://www.phoenixcontact.com/us/products/1453287>

Approvals

To download certificates, visit the product detail page: <https://www.phoenixcontact.com/us/products/1453287>



EAC-RoHS

Approval ID: RU D-DE.HB35.B.00387

SAC-2P-MS/1,5-PUR/ZC-1L-S SCO - Sensor/actuator cable



1453287

<https://www.phoenixcontact.com/us/products/1453287>

Classifications

ECLASS

ECLASS-13.0	27060312
ECLASS-15.0	27060312

ETIM

ETIM 10.0	EC001855
-----------	----------

UNSPSC

UNSPSC 21.0	31251500
-------------	----------

SAC-2P-MS/1,5-PUR/ZC-1L-S SCO - Sensor/actuator cable



1453287

<https://www.phoenixcontact.com/us/products/1453287>

Environmental product compliance

EU RoHS

Fulfills EU RoHS substance requirements	Yes, No exemptions
---	--------------------

China RoHS

Environment friendly use period (EFUP)	EFUP-E
	No hazardous substances above the limits

EU REACH SVHC

REACH candidate substance (CAS No.)	No substance above 0.1 wt%
-------------------------------------	----------------------------

EF3.1 Climate Change

CO2e kg	2.618 kg CO2e
---------	---------------

Phoenix Contact 2026 © - all rights reserved
<https://www.phoenixcontact.com>

Phoenix Contact USA
586 Fulling Mill Road
Middletown, PA 17057, United States
(+717) 944-1300
info@phoenixcon.com