

SACC-E-MINMS-5CON-PG13/1,0 - Circular connectors (device side)



1453258

<https://www.phoenixcontact.com/us/products/1453258>

Please be informed that the data shown in this PDF document is generated from our online catalog. Please find the complete data in the user documentation. Our general terms of use for downloads are valid.



Sensor/actuator panel-mount connector, 5-pos., 7/8", front mounting with Pg13.5 thread, with 2.0 m PVC litz wire, 5 x 0.75 mm²

Commercial data

Item number	1453258
Packing unit	1 pc
Minimum order quantity	50 pc
Note	Made to order (non-returnable)
Product key	ABQPAA
GTIN	4046356548724
Weight per piece (including packing)	113.3 g
Weight per piece (excluding packing)	113.3 g
Country of origin	DE

SACC-E-MINMS-5CON-PG13/1,0 - Circular connectors (device side)



1453258

<https://www.phoenixcontact.com/us/products/1453258>

Technical data

Product properties

Product type	Circular connectors (device side)
Number of positions	5
No. of cable outlets	1
Shielded	no
Coding	A

Insulation characteristics

Overvoltage category	II
Degree of pollution	3

Material specifications

Flammability rating according to UL 94	HB
Seal material	Viton
Contact material	CuZn
Contact surface material	Au
Contact carrier material	PUR
Material for screw connection	Zinc die-cast, nickel-plated

Electrical properties

Contact resistance	$\leq 5 \text{ m}\Omega$
Insulation resistance	$\geq 100 \text{ M}\Omega$
Nominal voltage U_N	250 V
Nominal current I_N	9 A

Connection data

Conductor connection

Connection method	Individual wires
-------------------	------------------

Connector

Connection 1

Head design	Plug
Head cable outlet	straight
Head thread type	7/8"-16UNF

Connection 2

Head design	free cable end
-------------	----------------

Cable/line

Cable length	2 m
--------------	-----

SACC-E-MINMS-5CON-PG13/1,0 - Circular connectors (device side)



1453258

<https://www.phoenixcontact.com/us/products/1453258>

Signal type/category	Universal
Wire diameter incl. insulation	2.7 mm
Single wire, color	brown, white, blue, black, green-yellow
Cable cross section	0.75 mm ²
Conductor structure signal line	24x 0.20 mm
AWG signal line	18
Material wire insulation	PE
Thickness, insulation	0.85 mm (Core insulation)

Environmental and real-life conditions

Ambient conditions

Degree of protection	IP67
Ambient temperature (operation) (male connector/female connector)	-40 °C ... 85 °C (Plug)
Ambient temperature (operation) (fixed installation)	-40 °C ... 85 °C (cable, fixed installation)

SACC-E-MINMS-5CON-PG13/1,0 - Circular connectors (device side)

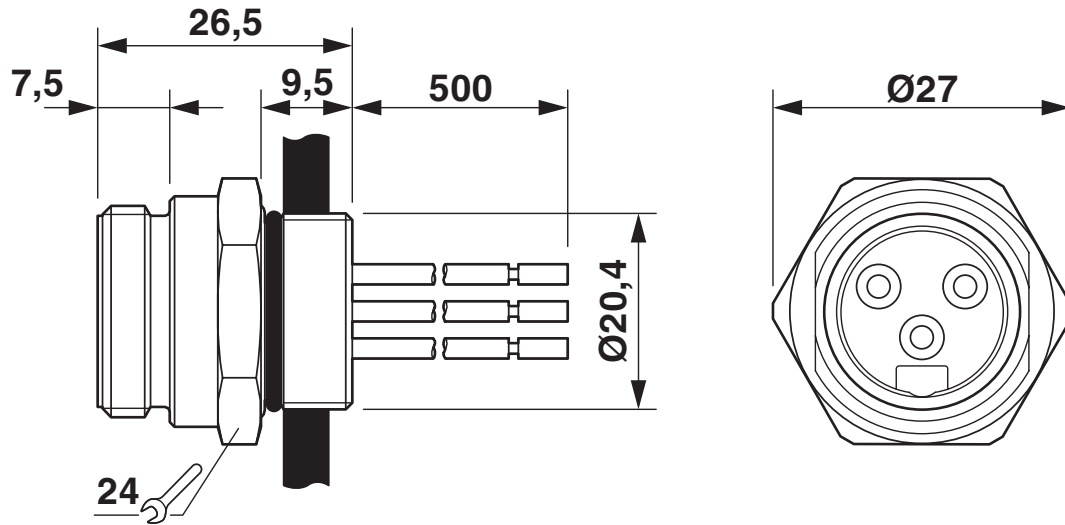


1453258

<https://www.phoenixcontact.com/us/products/1453258>

Drawings

Dimensional drawing



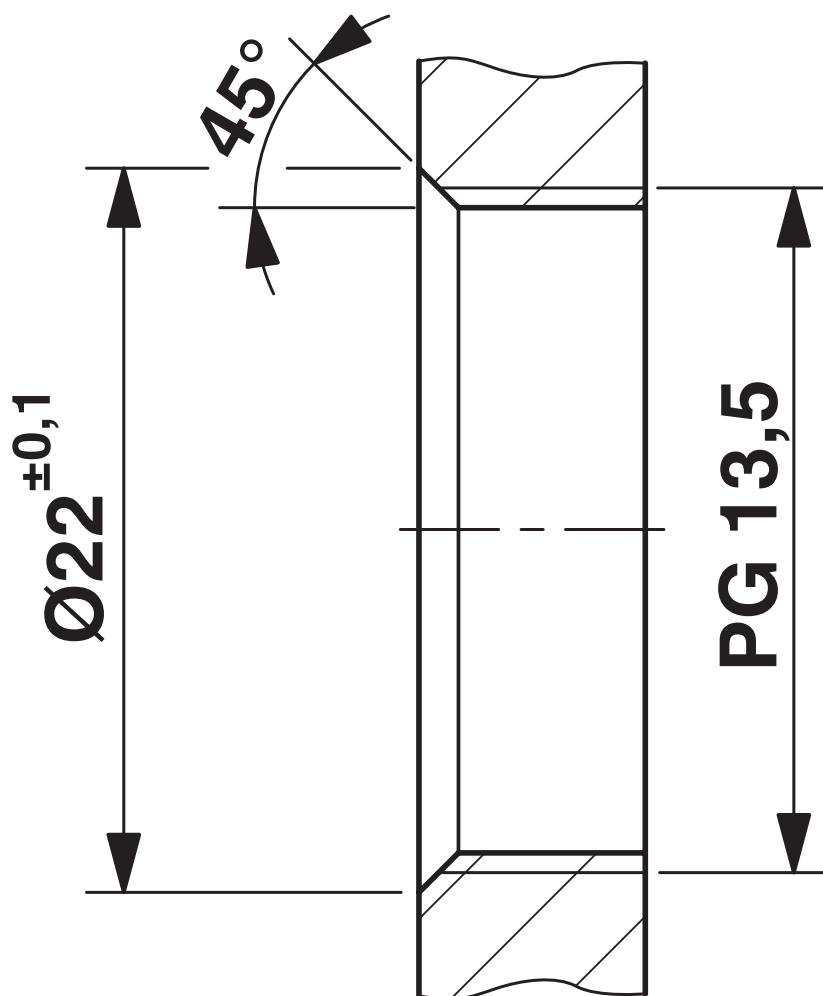
7/8" flush-type plug

SACC-E-MINMS-5CON-PG13/1,0 - Circular connectors (device side)

1453258

<https://www.phoenixcontact.com/us/products/1453258>

Dimensional drawing



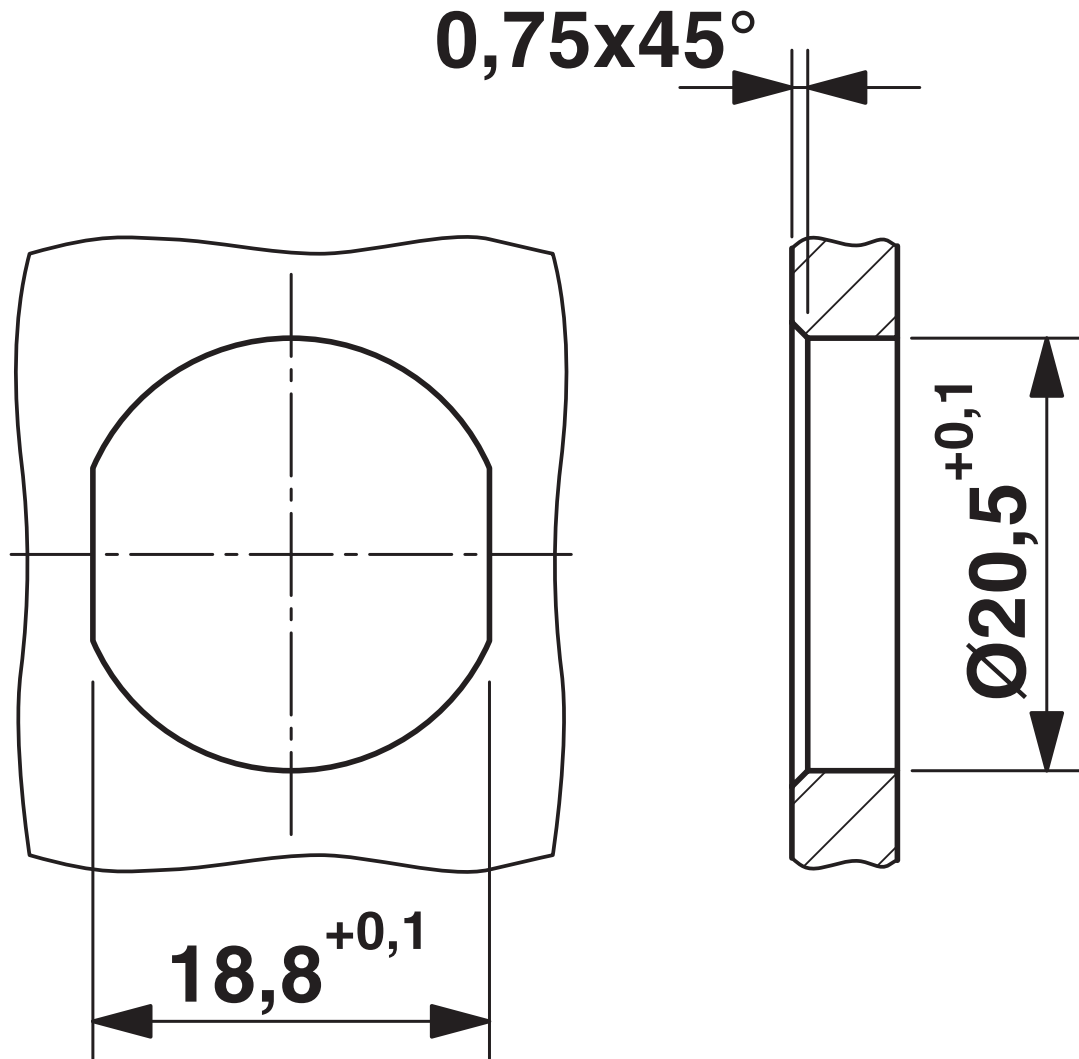
Mounting panel with thread

SACC-E-MINMS-5CON-PG13/1,0 - Circular connectors (device side)

1453258

<https://www.phoenixcontact.com/us/products/1453258>

Dimensional drawing



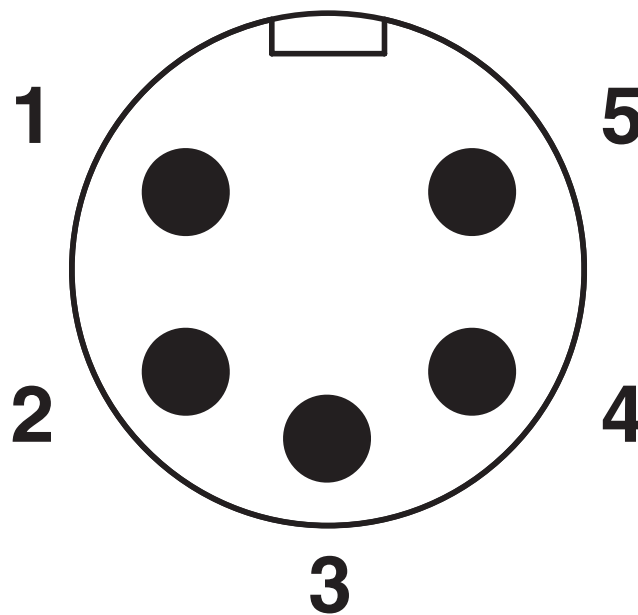
Mounting panel with feed-through hole

SACC-E-MINMS-5CON-PG13/1,0 - Circular connectors (device side)

1453258

<https://www.phoenixcontact.com/us/products/1453258>

Schematic diagram



Pin assignment, plug, 7/8"-16UNF, 5-pos., view of male side

Phoenix Contact 2026 © - all rights reserved
<https://www.phoenixcontact.com>

Phoenix Contact USA
586 Fulling Mill Road
Middletown, PA 17057, United States
(+717) 944-1300
info@phoenixcon.com