

SACB-C-H180-8/16 SCO P - Connector hood

1453229

<https://www.phoenixcontact.com/us/products/1453229>

Please be informed that the data shown in this PDF document is generated from our online catalog. Please find the complete data in the user documentation. Our general terms of use for downloads are valid.



Connector hood with integrated connector, for M12 sensor/actuator boxes with SPEEDCON plastic thread and plug-in screw connection, for 4, 6 or 8 slots

Commercial data

Item number	1453229
Packing unit	1 pc
Minimum order quantity	1 pc
Sales key	BF41
Product key	AF3CBG
GTIN	4046356553452
Weight per piece (including packing)	60.7 g
Weight per piece (excluding packing)	46.2 g
Customs tariff number	85366990
Country of origin	DE

SACB-C-H180-8/16 SCO P - Connector hood



1453229

<https://www.phoenixcontact.com/us/products/1453229>

Technical data

Notes

Note regarding documentation	For details about the PCB connectors used, refer to the technical data for MC 1,5/10-STF-3,5 (1847204)
Assembly note	NOTE: Observe the permissible bending radii when routing cables, since the degree of protection may be at risk if the bending forces are too high. Reduce mechanical loads upstream of the connector, e.g., by using cable ties.

Product properties

Product type	Connector hood
Application	Sensor/actuator box
Number of slots	8
Coding	A
LED	no

Electrical properties

Nominal voltage U_N	120 V AC
	120 V DC
Rated current, total	10 A
Max. current carrying capacity per path	2 A
Current carrying capacity per slot	4 A

Connection data

Conductor connection

Sensor/actuator connection system	M12 socket
Connection method	Pluggable screw connection
Conductor cross-section Flexible signal line	0.14 mm ² ... 1.5 mm ²
Conductor cross-section Flexible power supply	0.14 mm ² ... 1.5 mm ²
Connection cross section AWG Flexible signal line	26 ... 16
Connection cross section AWG Flexible power supply	26 ... 16
Stripping length Signal line	7 mm
Stripping length of the sheath	50 mm (Master cable)
Tightening torque, cover screw	1 Nm

Connection assignment

Slot/position = Wire color or connection	1 / 4 (A) = 1 / 4 = WH
	1 / 2 (B) = 1 / 2 = GYPK
	2 / 4 (A) = 2 / 4 = GN
	2 / 2 (B) = 2 / 2 = RDBU
	3 / 4 (A) = 3 / 4 = YE
	3 / 2 (B) = 3 / 2 = WHGN
	4 / 4 (A) = 4 / 4 = GY

SACB-C-H180-8/16 SCO P - Connector hood



1453229

<https://www.phoenixcontact.com/us/products/1453229>

	4 / 2 (B) = 4 / 2 = BNGN
	5 / 4 (A) = 5 / 4 = PK
	5 / 2 (B) = 5 / 2 = WHYE
	6 / 4 (A) = 6 / 4 = RD
	6 / 2 (B) = 6 / 2 = YEBN
	7 / 4 (A) = 7 / 4 = BK
	7 / 2 (B) = 7 / 2 = WHGY
	8 / 4 (A) = 8 / 4 = VT
	8 / 2 (B) = 8 / 2 = GYBN
	1-8 / 1 (+ 120 V) = U _N = BN
	1-8 / 3 (0 V) = 0 V = BU
	1-8 / 5 (PE) = PE = GNYE

Signaling

Status display present	no
------------------------	----

Dimensions

Dimensional drawing	
Width	54 mm
Height	25 mm
Length	34 mm

Material specifications

Material Housing	PBT
Flammability rating according to UL 94	V0
Seal material	NBR
Material of contact, master cable side	CU alloy
Material of the contact carrier on the master cable side	PA
Material of contact surface, master cable side	Sn

Cable/line

External cable diameter	7 mm ... 12 mm
Connection method	Pluggable screw connection

Environmental and real-life conditions

Ambient conditions

Degree of protection	IP65
----------------------	------

SACB-C-H180-8/16 SCO P - Connector hood



1453229

<https://www.phoenixcontact.com/us/products/1453229>

	IP67
Ambient temperature (operation)	-25 °C ... 80 °C

SACB-C-H180-8/16 SCO P - Connector hood

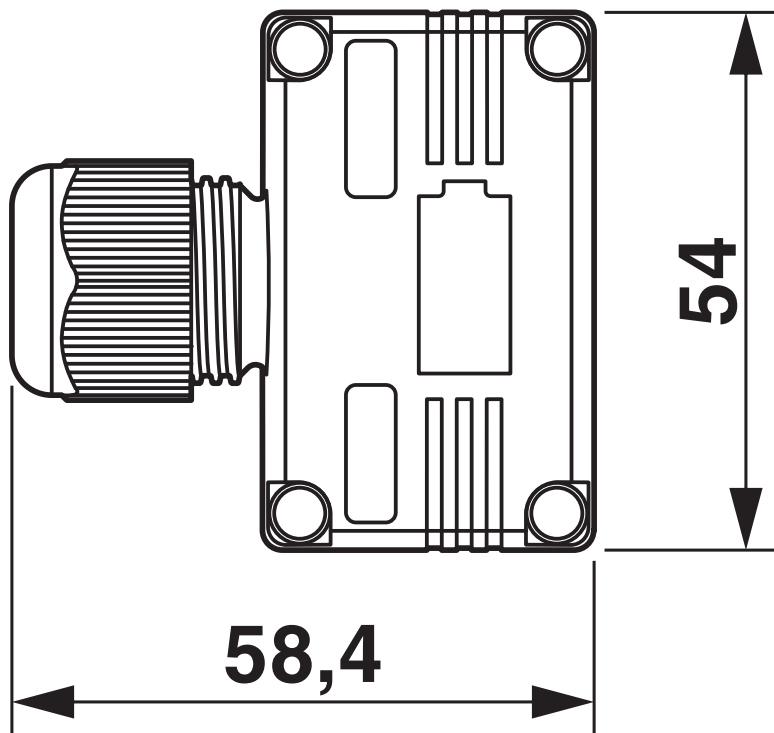
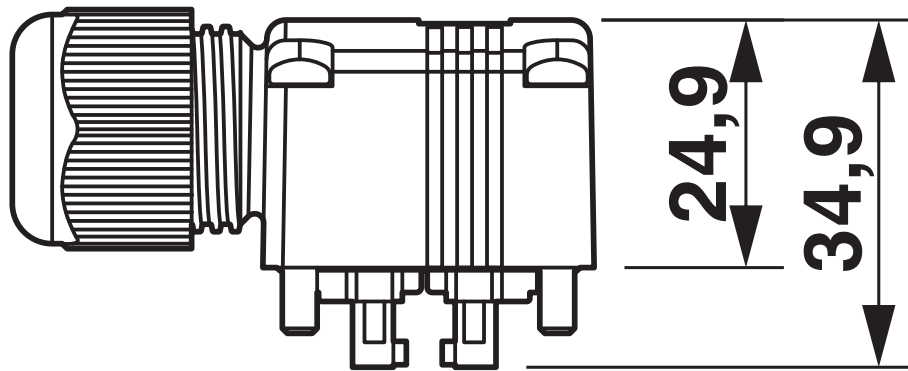


1453229

<https://www.phoenixcontact.com/us/products/1453229>

Drawings

Dimensional drawing



SACB-C-H180-8/16 SCO P - Connector hood



1453229

<https://www.phoenixcontact.com/us/products/1453229>

Approvals

To download certificates, visit the product detail page: <https://www.phoenixcontact.com/us/products/1453229>



cUL Recognized

Approval ID: E118976



UL Recognized

Approval ID: E118976

SACB-C-H180-8/16 SCO P - Connector hood



1453229

<https://www.phoenixcontact.com/us/products/1453229>

Classifications

ECLASS

ECLASS-13.0	27440111
ECLASS-15.0	27440111

ETIM

ETIM 10.0	EC003558
-----------	----------

UNSPSC

UNSPSC 21.0	31251500
-------------	----------

SACB-C-H180-8/16 SCO P - Connector hood



1453229

<https://www.phoenixcontact.com/us/products/1453229>

Environmental product compliance

EU RoHS

Fulfills EU RoHS substance requirements	Yes, No exemptions
---	--------------------

China RoHS

Environment friendly use period (EFUP)	EFUP-E
	No hazardous substances above the limits

EU REACH SVHC

REACH candidate substance (CAS No.)	No substance above 0.1 wt%
-------------------------------------	----------------------------

Phoenix Contact 2026 © - all rights reserved
<https://www.phoenixcontact.com>

Phoenix Contact USA
586 Fulling Mill Road
Middletown, PA 17057, United States
(+717) 944-1300
info@phoenixcon.com