

SACB-C-H180-6/12- 5,0PUR SCO P - Connector hood



1453148

<https://www.phoenixcontact.com/us/products/1453148>

Please be informed that the data shown in this PDF document is generated from our online catalog. Please find the complete data in the user documentation. Our general terms of use for downloads are valid.



Connector hood, application: Sensor/actuator box, connection method: M12 socket Plastic, number of slots: 6, slot assignment: Double, status display: no; master cable connection: Pluggable screw connection 180°, PUR/PVC, cable length: 5 m, shielding: no

Commercial data

Item number	1453148
Packing unit	1 pc
Minimum order quantity	1 pc
Sales key	BF41
Product key	AF3CBG
GTIN	4046356553391
Weight per piece (including packing)	881.8 g
Weight per piece (excluding packing)	830.1 g
Customs tariff number	85444290
Country of origin	DE

1453148

<https://www.phoenixcontact.com/us/products/1453148>

Technical data

Notes

Assembly note	NOTE: Observe the permissible bending radii when routing cables, since the degree of protection may be at risk if the bending forces are too high. Reduce mechanical loads upstream of the connector, e.g., by using cable ties.
---------------	---

Product properties

Product type	Connector hood
Application	Sensor/actuator box
Number of slots	6

Electrical properties

Nominal voltage U_N	120 V AC
	120 V DC
Rated current, total	10 A
Max. current carrying capacity per path	2 A
Current carrying capacity per slot	4 A

Connection data

Conductor connection

Sensor/actuator connection system	M12 socket
Connection method	Pluggable screw connection
Tightening torque, cover screw	1 Nm

Connection assignment

Slot/position = Wire color or connection	1 / 4 (A) = WH
	1 / 2 (B) = GYPK
	2 / 4 (A) = GN
	2 / 2 (B) = RDBU
	3 / 4 (A) = YE
	3 / 2 (B) = WHGN
	4 / 4 (A) = GY
	4 / 2 (B) = BNGN
	5 / 4 (A) = PK
	5 / 2 (B) = WHYE
	6 / 4 (A) = RD
	6 / 2 (B) = YEBN
	1-6 / 1 (+ 120 V) = BN
	1-6 / 3 (0 V) = BU
	1-6 / 5 (PE) = GNYE

Signaling

SACB-C-H180-6/12- 5,0PUR SCO P - Connector hood



1453148

<https://www.phoenixcontact.com/us/products/1453148>

Status display present	no
------------------------	----

Dimensions

Dimensional drawing	
Width	54 mm
Height	25 mm
Length	34 mm

Material specifications

Material Housing	PBT
Seal material	NBR
Material of contact, master cable side	CU alloy
Material of the contact carrier on the master cable side	PA
Material of contact surface, master cable side	Sn

Cable/line

Cable length	5 m
--------------	-----

PUR/PVC black [PUR]

Dimensional drawing	
Cable weight	150.9 kg/km
UL AWM Style	20549
Number of positions	15
Shielded	no
Cable type	PUR/PVC black [PUR]
Conductor structure signal line	28x 0.15 mm
AWG signal line	20
Conductor structure, voltage supply	56x 0.15 mm
AWG power supply	17
Conductor cross-section	12x 0.5 mm ² (Signal line)

SACB-C-H180-6/12- 5,0PUR SCO P - Connector hood



1453148

<https://www.phoenixcontact.com/us/products/1453148>

	3x 1 mm ² (power line)
Wire diameter incl. insulation	1.5 mm ±0.1 mm (Signal line)
	2.1 mm ±0.1 mm (power line)
External cable diameter	9.40 mm ±0.2 mm
Outer sheath, material	PUR
External sheath, color	black RAL 9005
Conductor material	Bare Cu litz wires
Material wire insulation	PVC
Single wire, color	brown, blue, green/yellow, white, green, yellow, gray, pink, red, gray/pink, red/blue, white/green, brown/green, white/yellow, yellow/brown
Thickness, insulation	≥ 0.15 mm (Inner sheath)
	≥ 0.76 mm (Outer cable sheath)
Overall twist	Wires twisted in layers
Nominal voltage, cable	300 V
Test voltage	2000 V
Minimum bending radius, fixed installation	7.5 x D
Minimum bending radius, flexible installation	10 x D
Smallest bending radius, fixed installation	71 mm
Smallest bending radius, movable installation	94 mm
Dynamic load capacity (bending)	Max. bending cycles: 1500000, Bending radius: 94 mm, Traversing path: 2 m, Traversing rate: 2 m/s
Flame resistance	DIN EN 50265
Resistance to oil	according to VDE 0472 Part 803
Other resistance	Highly resistant to acids, alkaline solutions and solvents
Special properties	Silicone-free
Ambient temperature (operation)	-40 °C ... 90 °C (cable, fixed installation)
	-5 °C ... 80 °C (Cable, flexible installation)
	80 °C (in acc. with UL)

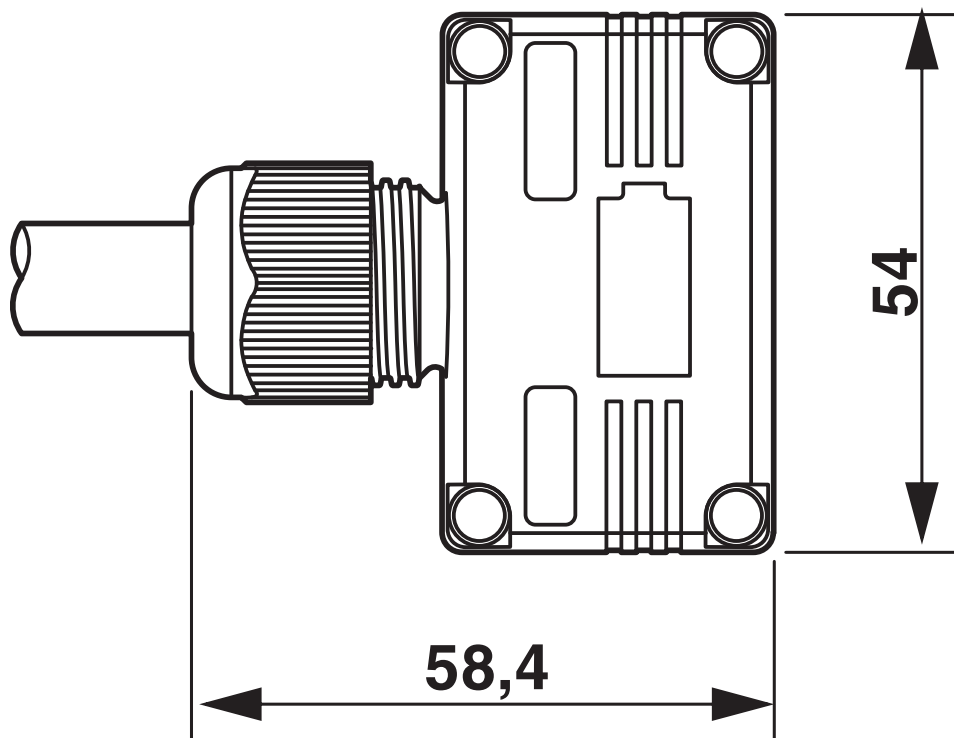
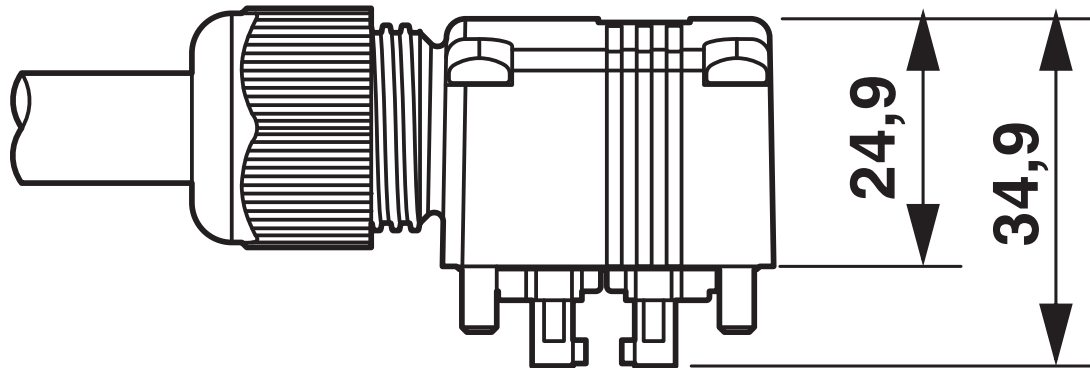
Environmental and real-life conditions

Ambient conditions

Degree of protection	IP65
	IP67
Ambient temperature (operation)	-25 °C ... 80 °C

Drawings

Dimensional drawing



1453148

<https://www.phoenixcontact.com/us/products/1453148>

Approvals

To download certificates, visit the product detail page: <https://www.phoenixcontact.com/us/products/1453148>



cUL Recognized
Approval ID: E118976



UL Recognized
Approval ID: E118976

1453148

<https://www.phoenixcontact.com/us/products/1453148>

Classifications

ECLASS

ECLASS-13.0	27440108
ECLASS-15.0	27440108

ETIM

ETIM 10.0	EC002585
-----------	----------

UNSPSC

UNSPSC 21.0	31251500
-------------	----------

1453148

<https://www.phoenixcontact.com/us/products/1453148>

Environmental product compliance

EU RoHS

Fulfills EU RoHS substance requirements	Yes
Exemption	6(c)

China RoHS

Environment friendly use period (EFUP)	EFUP-50
	An article-related China RoHS declaration table can be found in the download area for the respective article under "Manufacturer declaration". For all articles with EFUP-E, no China RoHS declaration table issued and required.

EU REACH SVHC

REACH candidate substance (CAS No.)	Lead(CAS: 7439-92-1)
SCIP	ebd45ee2-4f0c-4be3-89ed-17197aa99796

Phoenix Contact 2026 © - all rights reserved

<https://www.phoenixcontact.com>

Phoenix Contact USA
586 Fulling Mill Road
Middletown, PA 17057, United States
(+717) 944-1300
info@phoenixcon.com