

# SACB-6/ 6-L-SC SCO P - Distributor box



1453009

<https://www.phoenixcontact.com/us/products/1453009>

Please be informed that the data shown in this PDF document is generated from our online catalog. Please find the complete data in the user documentation. Our general terms of use for downloads are valid.



Distributor box, application: Standard, connection method: M12 socket Plastic, number of slots: 6, number of positions: 4, coding: A, slot assignment: single, status display: yes, PNP; master cable connection: Spring-cage connection 180°, shielding: no

## Your advantages

- Safety in the field, thanks to molded housing and high degree of protection
- Convenient: increased machine availability thanks to quick and easy diagnostics
- Save time, thanks to installation with SPEEDCON fast locking system
- Flexible: distributor box with connector hood for on-site assembly

## Commercial data

Item number	1453009
Packing unit	1 pc
Minimum order quantity	1 pc
Sales key	BF41
Product key	AF3CBC
GTIN	4046356553629
Weight per piece (including packing)	182 g
Weight per piece (excluding packing)	185.3 g
Customs tariff number	85366990
Country of origin	DE

## Technical data

### Notes

General	<p>When connecting the signal lines to the black PCB terminal blocks, please use a 0.4 x 2.0 mm screwdriver.</p> <p>The black PCB terminal blocks only require a minimal amount of operating force.</p> <p>Screwdriver: SZS 0,4X2,0 - 1205202</p> <p>Using larger screwdrivers or excessive force may damage the PCB terminal blocks.</p> <p>When using ferrules, the wires can be inserted straight into the PCB terminal blocks without opening the clamping area.</p>
General	<p>Item 1412059 SACB-6/12-L-PT SCO P is a version with the same connection cross section for signals and energy supply from 0.2 mm<sup>2</sup> to 1 mm<sup>2</sup>. This sensor/actuator box with double slot assignment also features a master cable connection with Push-in connection terminal blocks.</p>
Assembly note	<p><b>NOTE:</b> Observe the permissible bending radii when routing cables, since the degree of protection may be at risk if the bending forces are too high. Reduce mechanical loads upstream of the connector, e.g., by using cable ties.</p>
Note on application	<p>Unused slots are to be sealed off prior to commissioning. Suitable sealing elements are to be found under "Accessories".</p>

### Product properties

Product type	Distributor box
Application	Standard
Number of positions	4
Number of slots	6
Coding	A
LED	yes

### System properties

#### Local diagnostics

Monitored function	Supply voltage
Optical representation	Green LED

### Electrical properties

Max. operating voltage $U_{max}$	30 V DC
Local diagnostics	Supply voltage Green LED
	Status display I/O Yellow LED
Nominal voltage $U_N$	24 V DC
Rated current, total	12 A
Max. current carrying capacity per path	2 A
Current carrying capacity per slot	4 A

### Connection data

# SACB-6/ 6-L-SC SCO P - Distributor box



1453009

<https://www.phoenixcontact.com/us/products/1453009>

## Conductor connection

Sensor/actuator connection system	M12 socket
Conductor cross-section Flexible signal line	0.2 mm <sup>2</sup> ... 0.5 mm <sup>2</sup>
Conductor cross-section Flexible power supply	0.2 mm <sup>2</sup> ... 1.5 mm <sup>2</sup>
Connection cross section AWG Flexible signal line	24 ... 20
Connection cross section AWG Flexible power supply	24 ... 16
Stripping length Signal line	6 mm
Stripping length Power supply	10 mm
Stripping length of the sheath	50 mm (Master cable)
Tightening torque, cover screw	1 Nm
Tightening torque slot sensor/actuator cable	0.4 Nm
Tightening torque of mounting screw for fixing the housing	0.5 Nm
Tightening torque, union nut	2.5 Nm

## Connection assignment

Slot/position = Wire color or connection	1 / 4 (A) = WH
	2 / 4 (A) = GN
	3 / 4 (A) = YE
	4 / 4 (A) = GY
	5 / 4 (A) = PK
	6 / 4 (A) = RD
	1-6 / 1 (+ 24 V) = BN
	1-6 / 3 (0 V) = BU
	1-6 / 5 (PE) = GNYE

## Signaling

Status display present	yes
------------------------	-----

## Dimensions

Dimensional drawing	
Width	54 mm
Height	43 mm
Length	123 mm

## Material specifications

Material Threaded sleeve	PBT
Material Housing	PBT

# SACB-6/ 6-L-SC SCO P - Distributor box



1453009

<https://www.phoenixcontact.com/us/products/1453009>

Material Molding compound	PUR
Flammability rating according to UL 94	V0
Seal material O-ring	NBR
Contact material	Cu alloy
Contact surface material	gold-plated
Contact carrier material	PA

## Cable/line

External cable diameter	7 mm ... 12 mm
Connection method	Spring-cage connection

## Environmental and real-life conditions

### Ambient conditions

Degree of protection	IP65
	IP67
Ambient temperature (operation)	-25 °C ... 80 °C

## Standards and regulations

Standard designation	M12 connector
Standards/specifications	IEC 61076-2-101

# SACB-6/ 6-L-SC SCO P - Distributor box

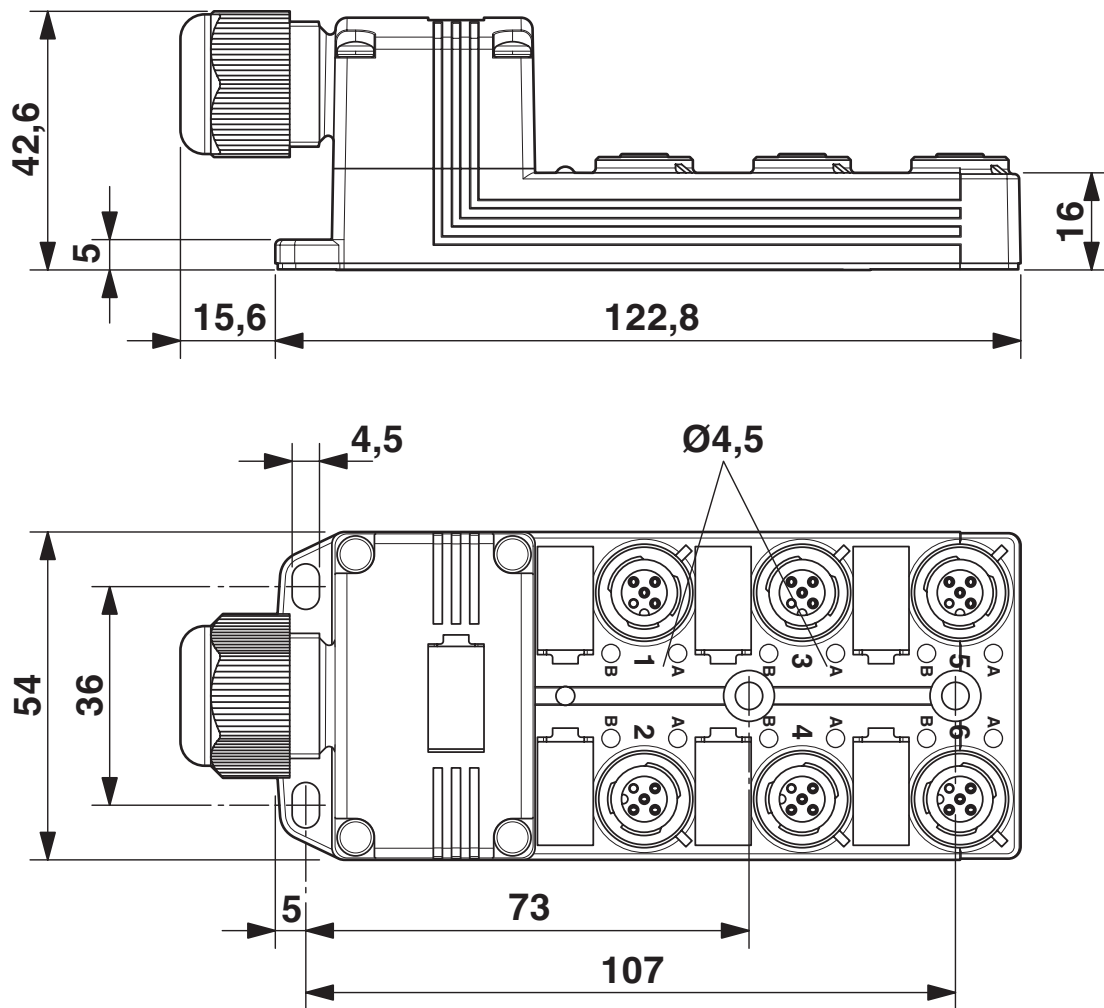


1453009

<https://www.phoenixcontact.com/us/products/1453009>

## Drawings

Dimensional drawing



# SACB-6/ 6-L-SC SCO P - Distributor box

1453009

<https://www.phoenixcontact.com/us/products/1453009>

Schematic diagram



M12 slot, socket, 4-pos.

Circuit diagram



# SACB-6/ 6-L-SC SCO P - Distributor box



1453009

<https://www.phoenixcontact.com/us/products/1453009>

## Approvals

To download certificates, visit the product detail page: <https://www.phoenixcontact.com/us/products/1453009>

 <b>cUL Recognized</b> Approval ID: E118976				
	Nominal voltage $U_N$	Nominal current $I_N$	Cross section AWG	Cross section $\text{mm}^2$
keine				
	24 V	-	-	-

 <b>UL Recognized</b> Approval ID: E118976				
	Nominal voltage $U_N$	Nominal current $I_N$	Cross section AWG	Cross section $\text{mm}^2$
keine				
Signal	-	2 A	-	-
	24 V	4 A	-	-

# SACB-6/ 6-L-SC SCO P - Distributor box



1453009

<https://www.phoenixcontact.com/us/products/1453009>

## Classifications

### ECLASS

ECLASS-13.0	27440111
ECLASS-15.0	27440111

### ETIM

ETIM 10.0	EC003558
-----------	----------

### UNSPSC

UNSPSC 21.0	31251500
-------------	----------

# SACB-6/ 6-L-SC SCO P - Distributor box



1453009

<https://www.phoenixcontact.com/us/products/1453009>

## Environmental product compliance

### EU RoHS

Fulfills EU RoHS substance requirements	Yes, No exemptions
---	--------------------

### China RoHS

Environment friendly use period (EFUP)	EFUP-E
	No hazardous substances above the limits

### EU REACH SVHC

REACH candidate substance (CAS No.)	No substance above 0.1 wt%
-------------------------------------	----------------------------

Phoenix Contact 2026 © - all rights reserved  
<https://www.phoenixcontact.com>

Phoenix Contact USA  
586 Fulling Mill Road  
Middletown, PA 17057, United States  
(+717) 944-1300  
[info@phoenixcon.com](mailto:info@phoenixcon.com)