

# SACB-8/16-L-C GG SCO P - Distributor box header



1452916

<https://www.phoenixcontact.com/us/products/1452916>

Please be informed that the data shown in this PDF document is generated from our online catalog. Please find the complete data in the user documentation. Our general terms of use for downloads are valid.



Distributor box header, application: Standard, connection method: M12 socket Plastic, number of slots: 8, number of positions: 5, coding: A, slot assignment: Double, status display: yes, PNP; master cable connection: Pluggable screw connection, shielding: no

## Commercial data

Item number	1452916
Packing unit	1 pc
Minimum order quantity	1 pc
Sales key	BF41
Product key	AF3CBD
GTIN	4046356553773
Weight per piece (including packing)	185 g
Weight per piece (excluding packing)	163.82 g
Customs tariff number	85366990
Country of origin	DE

## Technical data

### Notes

Assembly note	<b>NOTE:</b> Observe the permissible bending radii when routing cables, since the degree of protection may be at risk if the bending forces are too high. Reduce mechanical loads upstream of the connector, e.g., by using cable ties.
Note on application	Unused slots are to be sealed off prior to commissioning. Suitable sealing elements are to be found under "Accessories".

### Product properties

Product type	Header with metric measurement slots
Application	Standard
Number of positions	5
Number of slots	8
Coding	A
LED	yes

### System properties

#### Local diagnostics

Monitored function	Supply voltage
Optical representation	Green LED

### Electrical properties

Max. operating voltage $U_{max}$	30 V DC
Local diagnostics	Supply voltage Green LED
	Status display I/O Yellow LED
Nominal voltage $U_N$	24 V DC
Rated current, total	10 A
Max. current carrying capacity per path	2 A
Current carrying capacity per slot	4 A

### Signaling

Status display present	yes
------------------------	-----

### Dimensions

Dimensional drawing	
---------------------	--

# SACB-8/16-L-C GG SCO P - Distributor box header



1452916

<https://www.phoenixcontact.com/us/products/1452916>

Width	54 mm
Height	19 mm
Length	149 mm

## Material specifications

Material Threaded sleeve	PBT
Material Housing	PBT
Material Molding compound	PUR
Flammability rating according to UL 94	V0
Seal material O-ring	NBR
Contact material	Cu alloy
Contact surface material	gold-plated
Contact carrier material	PA
Material of contact, master cable side	CU alloy
Material of the contact carrier on the master cable side	PA
Material of contact surface, master cable side	Sn

## Cable/line

Connection method	Pluggable screw connection
-------------------	----------------------------

## Environmental and real-life conditions

### Ambient conditions

Degree of protection	IP65
	IP67
Ambient temperature (operation)	-25 °C ... 80 °C

## Standards and regulations

Standard designation	M12 connector
Standards/specifications	IEC 61076-2-101

# SACB-8/16-L-C GG SCO P - Distributor box header

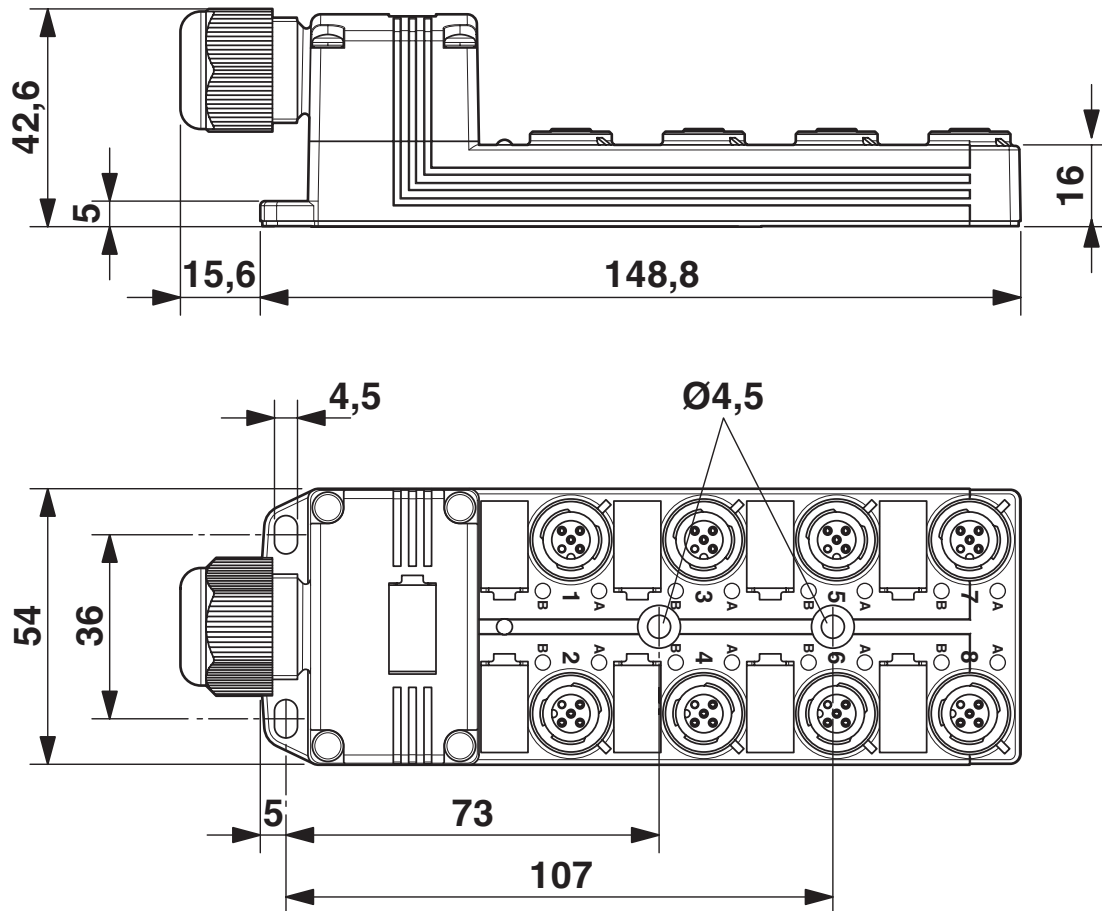


1452916

<https://www.phoenixcontact.com/us/products/1452916>

## Drawings

Dimensional drawing



# SACB-8/16-L-C GG SCO P - Distributor box header

1452916

<https://www.phoenixcontact.com/us/products/1452916>

Schematic diagram



M12 slot, socket, 5-pos.

Circuit diagram



# SACB-8/16-L-C GG SCO P - Distributor box header





1452916

<https://www.phoenixcontact.com/us/products/1452916>

## Approvals

To download certificates, visit the product detail page: <https://www.phoenixcontact.com/us/products/1452916>

 <b>cUL Recognized</b> Approval ID: E118976				
	Nominal voltage $U_N$	Nominal current $I_N$	Cross section AWG	Cross section $\text{mm}^2$
keine				
	24 V	-	-	-

 <b>UL Recognized</b> Approval ID: E118976				
	Nominal voltage $U_N$	Nominal current $I_N$	Cross section AWG	Cross section $\text{mm}^2$
keine				
	24 V	-	-	-

# SACB-8/16-L-C GG SCO P - Distributor box header



1452916

<https://www.phoenixcontact.com/us/products/1452916>

## Classifications

### ECLASS

ECLASS-13.0	27440111
ECLASS-15.0	27440111

### ETIM

ETIM 10.0	EC003558
-----------	----------

### UNSPSC

UNSPSC 21.0	31251500
-------------	----------

# SACB-8/16-L-C GG SCO P - Distributor box header



1452916

<https://www.phoenixcontact.com/us/products/1452916>

## Environmental product compliance

### EU RoHS

Fulfills EU RoHS substance requirements	Yes, No exemptions
---	--------------------

### China RoHS

Environment friendly use period (EFUP)	EFUP-E
	No hazardous substances above the limits

### EU REACH SVHC

REACH candidate substance (CAS No.)	No substance above 0.1 wt%
-------------------------------------	----------------------------

Phoenix Contact 2026 © - all rights reserved  
<https://www.phoenixcontact.com>

Phoenix Contact USA  
586 Fulling Mill Road  
Middletown, PA 17057, United States  
(+717) 944-1300  
[info@phoenixcon.com](mailto:info@phoenixcon.com)