

# SACC-VB-3CON-M12/C-1L-SV 230V - Valve connector



1452288

<https://www.phoenixcontact.com/us/products/1452288>

Please be informed that the data shown in this PDF document is generated from our online catalog. Please find the complete data in the user documentation. Our general terms of use for downloads are valid.



Valve connector, Universal, 3-position, Valve connector C (8 mm), Screw connection, cable gland M12, external cable diameter 4 mm ... 6 mm

## Commercial data

|                                      |               |
|--------------------------------------|---------------|
| Item number                          | 1452288       |
| Packing unit                         | 1 pc          |
| Minimum order quantity               | 1 pc          |
| Sales key                            | BF36          |
| Product key                          | AF2DDA        |
| GTIN                                 | 4046356536455 |
| Weight per piece (including packing) | 13.9 g        |
| Weight per piece (excluding packing) | 13.3 g        |
| Customs tariff number                | 85366990      |
| Country of origin                    | HU            |

# SACC-VB-3CON-M12/C-1L-SV 230V - Valve connector

1452288

<https://www.phoenixcontact.com/us/products/1452288>

## Technical data

### Notes

|               |   |
|---------------|---|
| Assembly note | <b>NOTE:</b> Observe the permissible bending radii when routing cables, since the degree of protection may be at risk if the bending forces are too high. Reduce mechanical loads upstream of the connector, e.g., by using cable ties. |
|---------------|---|

### Product properties

|                      |                  |
|----------------------|------------------|
| Product type         | Valve connectors |
| Number of positions  | 3                |
| No. of cable outlets | 1                |
| Shielded             | no               |
| Pg screw connection  | M12              |

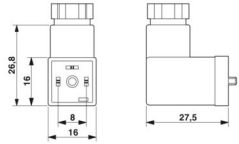
### Insulation characteristics

|                      |    |
|----------------------|----|
| Overvoltage category | II |
| Degree of pollution  | 3  |

### Material specifications

|  |      |
|--|------|
| Flammability rating according to UL 94 | HB   |
| Seal material                          | NBR  |
| Material housing valve plug            | PA   |
| Contact material                       | CuZn |
| Contact surface material               | CuSn |

### Dimensions

|                     |  |
|---------------------|--|
| Dimensional drawing |  |
| Width               | 16 mm  |
| Height              | 27.5 mm  |
| Length              | 26.8 mm  |

### External dimensions

|                  |               |
|------------------|---------------|
| Outside diameter | 4 mm ... 6 mm |
|------------------|---------------|

### Electrical properties

|                                |                      |
|--------------------------------|----------------------|
| Contact resistance             | ≤ 4 mΩ               |
| Insulation resistance          | > 2 GΩ               |
| Nominal voltage U <sub>N</sub> | 230 V AC<br>230 V DC |
| Nominal current I <sub>N</sub> | 1.5 A                |

# SACC-VB-3CON-M12/C-1L-SV 230V - Valve connector



1452288

<https://www.phoenixcontact.com/us/products/1452288>

|                    |                            |
|--------------------|----------------------------|
| Protective circuit | Surge protection; Varistor |
|--------------------|----------------------------|

## Valve connector characteristics

|               |           |
|---------------|-----------|
| Fixing screws | M2,5 x 27 |
|---------------|-----------|

## Mechanical properties

### Mechanical data

|                             |                      |
|-----------------------------|----------------------|
| Insertion/withdrawal cycles | 50 (Valve connector) |
|-----------------------------|----------------------|

## Signaling

|                        |              |
|------------------------|--------------|
| Status display         | LED (yellow) |
| Status display present | yes          |

## Connection data

|                              |  |
|------------------------------|--|
| Connection method            | Screw connection                             |
| Conductor cross-section      | 0.25 mm <sup>2</sup> ... 0.5 mm <sup>2</sup> |
| Connection cross section AWG | 24 ... 20                                    |
| Tightening torque            | 1.6 Nm ±0.2 Nm (Pressure screw)              |
|                              | 0.4 Nm ±0.1 Nm (Central screw)               |
|                              | 0.2 Nm ±0.1 Nm (Contact screw)               |

## Connector

### Connection 1

|                  |                 |
|------------------|-----------------|
| Head design      | Valve connector |
| Head thread type | C (8 mm)        |

## Environmental and real-life conditions

### Ambient conditions

|   |                                    |
|---|------------------------------------|
| Degree of protection                              | IP65                               |
| Ambient temperature (operation) (Valve connector) | -25 °C ... 60 °C (Valve connector) |

## Standards and regulations

|                          |                 |
|--------------------------|-----------------|
| Standard designation     | Valve connector |
| Standards/specifications | EN 175301-803   |

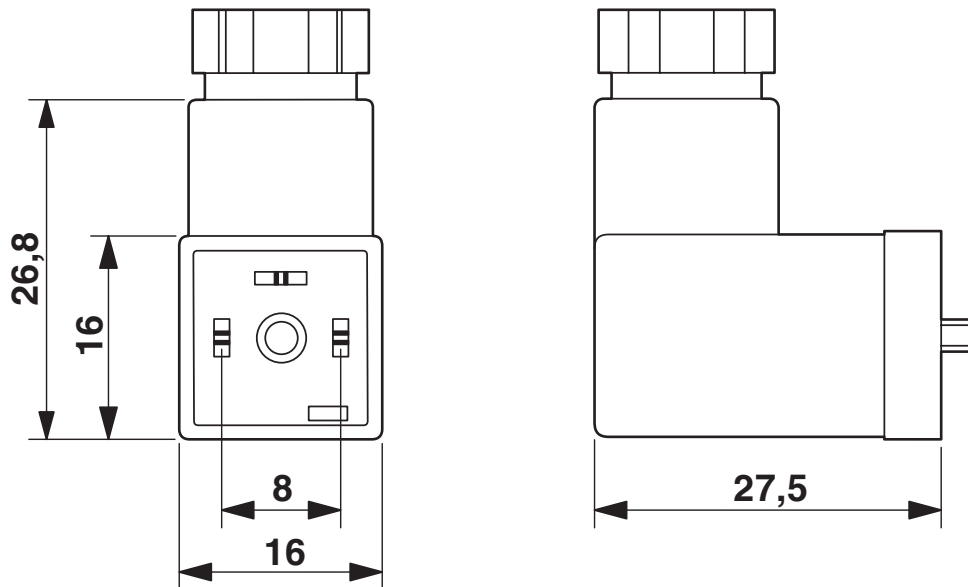
# SACC-VB-3CON-M12/C-1L-SV 230V - Valve connector

1452288

<https://www.phoenixcontact.com/us/products/1452288>

## Drawings

Dimensional drawing



Circuit diagram



# SACC-VB-3CON-M12/C-1L-SV 230V - Valve connector



1452288

<https://www.phoenixcontact.com/us/products/1452288>

## Classifications

### ECLASS

|             |          |
|-------------|----------|
| ECLASS-13.0 | 27440105 |
| ECLASS-15.0 | 27440105 |

### ETIM

|           |          |
|-----------|----------|
| ETIM 10.0 | EC003623 |
|-----------|----------|

### UNSPSC

|             |          |
|-------------|----------|
| UNSPSC 21.0 | 31251500 |
|-------------|----------|

# SACC-VB-3CON-M12/C-1L-SV 230V - Valve connector



1452288

<https://www.phoenixcontact.com/us/products/1452288>

## Environmental product compliance

### EU RoHS

|   |      |
|---|------|
| Fulfills EU RoHS substance requirements | Yes  |
| Exemption                               | 6(c) |

### China RoHS

|  |   |
|--|---|
| Environment friendly use period (EFUP) | EFUP-25   |
|  | An article-related China RoHS declaration table can be found in the download area for the respective article under "Manufacturer declaration". For all articles with EFUP-E, no China RoHS declaration table issued and required. |

### EU REACH SVHC

|                                     |                                      |
|-------------------------------------|--------------------------------------|
| REACH candidate substance (CAS No.) | Lead(CAS: 7439-92-1)                 |
| SCIP                                | 0d805919-cbc1-418c-9680-cf6b45c88733 |

### EF3.1 Climate Change

|         |               |
|---------|---------------|
| CO2e kg | 0.522 kg CO2e |
|---------|---------------|

Phoenix Contact 2026 © - all rights reserved  
<https://www.phoenixcontact.com>

Phoenix Contact USA  
586 Fulling Mill Road  
Middletown, PA 17057, United States  
(+717) 944-1300  
[info@phoenixcon.com](mailto:info@phoenixcon.com)