

SACC-VB-3CON-M16/B-1L-SV 110V - Valve connector



1452217

<https://www.phoenixcontact.com/us/products/1452217>

Please be informed that the data shown in this PDF document is generated from our online catalog. Please find the complete data in the user documentation. Our general terms of use for downloads are valid.



Valve connector, Universal, 3-position, Valve connector B (10 mm), Screw connection, cable gland M16, external cable diameter 6 mm ... 8 mm

Commercial data

Item number	1452217
Packing unit	1 pc
Minimum order quantity	1 pc
Sales key	BF36
Product key	AF2DBA
GTIN	4046356536387
Weight per piece (including packing)	24.3 g
Weight per piece (excluding packing)	25.3 g
Customs tariff number	85366990
Country of origin	HU

SACC-VB-3CON-M16/B-1L-SV 110V - Valve connector



1452217

<https://www.phoenixcontact.com/us/products/1452217>

Technical data

Notes

Assembly note	NOTE: Observe the permissible bending radii when routing cables, since the degree of protection may be at risk if the bending forces are too high. Reduce mechanical loads upstream of the connector, e.g., by using cable ties.
---------------	---

Product properties

Product type	Valve connectors
Number of positions	3
No. of cable outlets	1
Shielded	no
Pg screw connection	M16

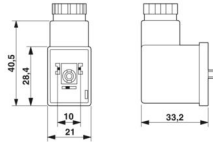
Insulation characteristics

Overvoltage category	II
Degree of pollution	3

Material specifications

Flammability rating according to UL 94	HB
Seal material	NBR
Material housing valve plug	PA
Contact material	CuZn
Contact surface material	CuSn

Dimensions

Dimensional drawing	
Width	21 mm
Height	33.2 mm
Length	40.5 mm

External dimensions

Outside diameter	6 mm ... 8 mm
------------------	---------------

Electrical properties

Contact resistance	≤ 4 mΩ
Insulation resistance	> 2 GΩ
Nominal voltage U _N	110 V AC 110 V DC
Nominal current I _N	1.5 A

SACC-VB-3CON-M16/B-1L-SV 110V - Valve connector



1452217

<https://www.phoenixcontact.com/us/products/1452217>

Protective circuit	Surge protection; Varistor
--------------------	----------------------------

Valve connector characteristics

Fixing screws	M3 x 33,5
---------------	-----------

Mechanical properties

Mechanical data

Insertion/withdrawal cycles	50 (Valve connector)
-----------------------------	----------------------

Signaling

Status display	LED (yellow)
Status display present	yes

Connection data

Connection method	Screw connection
Conductor cross-section	0.25 mm ² ... 1.5 mm ²
Connection cross section AWG	24 ... 16
Tightening torque	1.8 Nm ±0.2 Nm (Pressure screw)
	0.4 Nm ±0.1 Nm (Central screw)
	0.2 Nm ±0.1 Nm (Contact screw)

Connector

Connection 1

Head design	Valve connector
Head thread type	B (10 mm)

Environmental and real-life conditions

Ambient conditions

Degree of protection	IP65
Ambient temperature (operation) (Valve connector)	-25 °C ... 60 °C (Valve connector)

Standards and regulations

Standard designation	Valve connector
Standards/specifications	EN 175301-803

SACC-VB-3CON-M16/B-1L-SV 110V - Valve connector

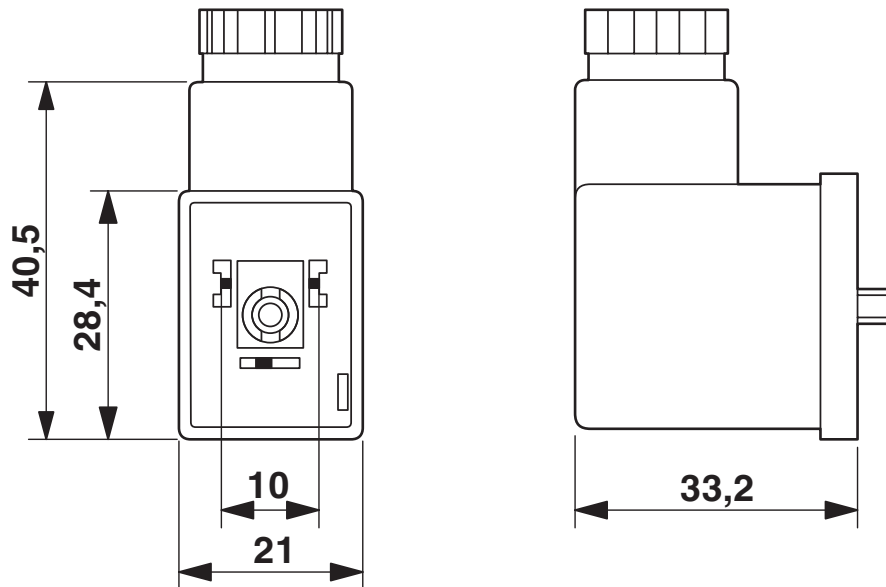


1452217

<https://www.phoenixcontact.com/us/products/1452217>

Drawings

Dimensional drawing



Circuit diagram



SACC-VB-3CON-M16/B-1L-SV 110V - Valve connector



1452217

<https://www.phoenixcontact.com/us/products/1452217>

Classifications

ECLASS

ECLASS-13.0	27440105
ECLASS-15.0	27440105

ETIM

ETIM 10.0	EC003623
-----------	----------

UNSPSC

UNSPSC 21.0	31251500
-------------	----------

SACC-VB-3CON-M16/B-1L-SV 110V - Valve connector



1452217

<https://www.phoenixcontact.com/us/products/1452217>

Environmental product compliance

EU RoHS

Fulfills EU RoHS substance requirements	Yes
Exemption	6(c)

China RoHS

Environment friendly use period (EFUP)	EFUP-25
	An article-related China RoHS declaration table can be found in the download area for the respective article under "Manufacturer declaration". For all articles with EFUP-E, no China RoHS declaration table issued and required.

EU REACH SVHC

REACH candidate substance (CAS No.)	Lead(CAS: 7439-92-1)
SCIP	c1f60e50-cef3-4dc9-be5f-5401e34ef18f

EF3.1 Climate Change

CO2e kg	0.589 kg CO2e
---------	---------------

Phoenix Contact 2026 © - all rights reserved
<https://www.phoenixcontact.com>

Phoenix Contact USA
586 Fulling Mill Road
Middletown, PA 17057, United States
(+717) 944-1300
info@phoenixcon.com