

# EV-T1G3C-1AC30A-5,0M6,0JSBK11U - AC charging cable



1449814

<https://www.phoenixcontact.com/us/products/1449814>

Please be informed that the data shown in this PDF document is generated from our online catalog. Please find the complete data in the user documentation. Our general terms of use for downloads are valid.



CHARX connect comfort, Type 1, AC charging cable, 30 A permanent, 250 V AC, with vehicle charging connector and open cable end, cable: 5 m, black, straight, without protective cap, with locking option for padlock, PHOENIX CONTACT logo, IEC 62196-2, SAE J1772, PSE, for charging electric vehicles (EV) with alternating current (AC) via type 1 vehicle charging inlets

## Product description

AC charging cable with vehicle charging connector and free cable end for charging electric vehicles (EV) with alternating current (AC) via type 1 vehicle charging inlets, for installation at charging stations for e-mobility (EVSE)

## Your advantages

- Complete product range
- Convenient handling due to the ergonomic, triple award-winning design
- Available with your logo on request - for consistent branding of your charging station
- Longitudinal water tightness reliably prevents water ingress
- Developed and produced in accordance with the IATF 16949 automotive standard and ISO 9001
- Tested in accordance with automotive standards LV124, LV214, and LV215-2
- Tested in accordance with EV Ready 37 requirements
- Laser-marked mating face in accordance with DIN EN 17186

## Commercial data

Item number	1449814
Packing unit	1 pc
Minimum order quantity	1 pc
Product key	XWBDAB
GTIN	4063151834784
Weight per piece (including packing)	2,199 g
Weight per piece (excluding packing)	2,199 g
Country of origin	PL

# EV-T1G3C-1AC30A-5,0M6,0JSBK11U - AC charging cable



1449814

<https://www.phoenixcontact.com/us/products/1449814>

## Technical data

### Product properties

Product type	AC charging cable
Product family	CHARX connect comfort
Type	AC charging cable with vehicle charging connector and open cable end
Design	without protective cap with locking option for padlock
Charging standard	Type 1
Charging mode	Mode 3, Case C
Affixed logo	PHOENIX CONTACT logo
Customer variations	On request

### Electrical properties

Type of signal transmission	Pulse width modulation
Note on the connection method	Crimp connection, cannot be disconnected
Coding	480 $\Omega$ (Lever actuated) 150 $\Omega$ (Lever not actuated)

### Charging power and current (AC charging, 1-phase)

Type of charging current	AC single-phase
Charging current	30 A AC (1-phase)
Charging power	7.5 kW (1-phase)
Rated voltage	250 V

### Pin assignment (Power contacts)

Number	3 (L1, N, PE)
Rated voltage	250 V AC
Rated current	30 A

### Pin assignment (Signal contacts)

Number	2 (CP, CS)
Rated voltage	30 V AC
Rated current	2 A

## Dimensions

### Vehicle charging connector

Width	58 mm
Height	151.1 mm
Depth	236.1 mm

## Material specifications

Color (Housing)	black (9005)
-----------------	--------------

# EV-T1G3C-1AC30A-5,0M6,0JSBK11U - AC charging cable



1449814

<https://www.phoenixcontact.com/us/products/1449814>

Color (Handle area)	black (9005)
Color (Actuating element)	silver gray (7001)
Color (Mating face)	black (9005)
Color (Protective cap)	black (9005)
Color (Cable)	black (9005)
Material (Vehicle charging connector)	Plastic
Material (Cable outer sheath)	TPE-U
Material (Contact surface)	Silver

## Cable/line

Cable length	5 m
Wiring certifications	PSE
Cable weight	max. 420.00 kg/km
Cable type	straight
Cable structure	3 x 6 mm <sup>2</sup> + 1 x 0.75 mm <sup>2</sup>
External cable diameter	16.30 mm
Stripping length of the sheath	60 mm ± 15 mm
Stripping length	60 mm ± 15 mm
Cable resistance	≤ 0.00317 Ω/m (based on a power core, at an ambient temperature of 20°C)

## Mechanical properties

### Mechanical data

Insertion/withdrawal cycles	> 10000
Insertion force	< 75 N
Withdrawal force	< 75 N

## Environmental and real-life conditions

### Ambient conditions

Degree of protection (Vehicle charging inlet)	IP44 (plugged in; when plugged in and ready to operate, the degree of protection is only ensued if both plug-in components are original products from Phoenix Contact or suitable standard-compliant products)
Degree of protection (Protective cap)	IP54
Ambient temperature (operation)	-30 °C ... 50 °C
Ambient temperature (storage/transport)	-40 °C ... 80 °C
Altitude	5000 m (above sea level)

## Standards and regulations

### Standards

Standards/regulations	IEC 62196-2
	SAE J1772
	PSE

# EV-T1G3C-1AC30A-5,0M6,0JSBK11U - AC charging cable

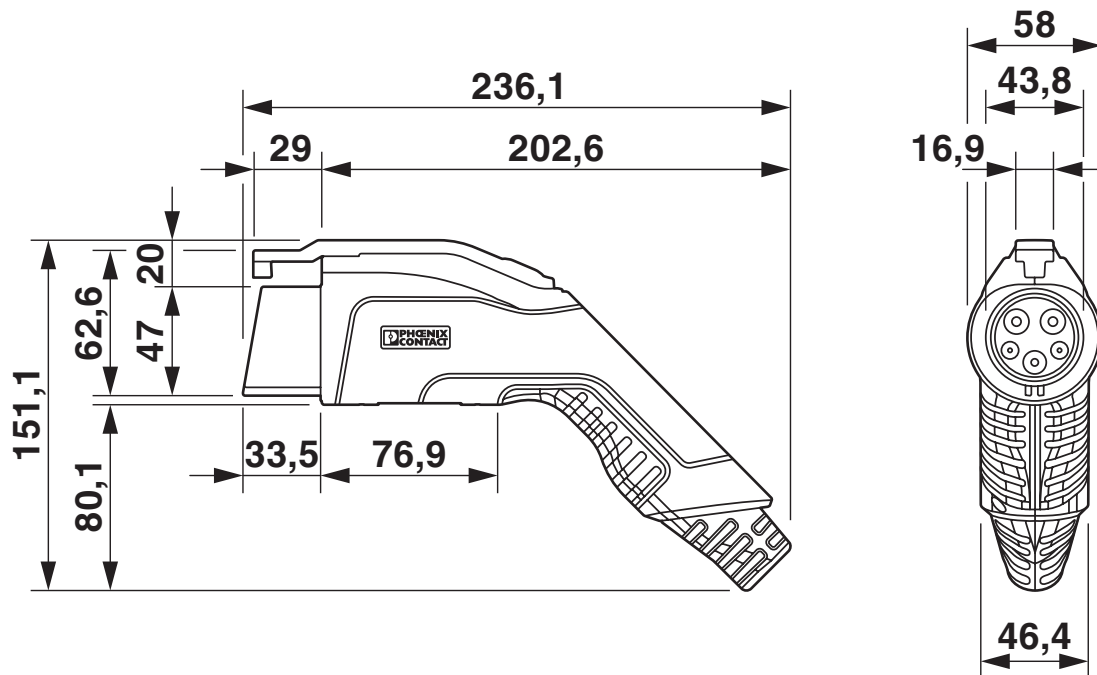


1449814

<https://www.phoenixcontact.com/us/products/1449814>

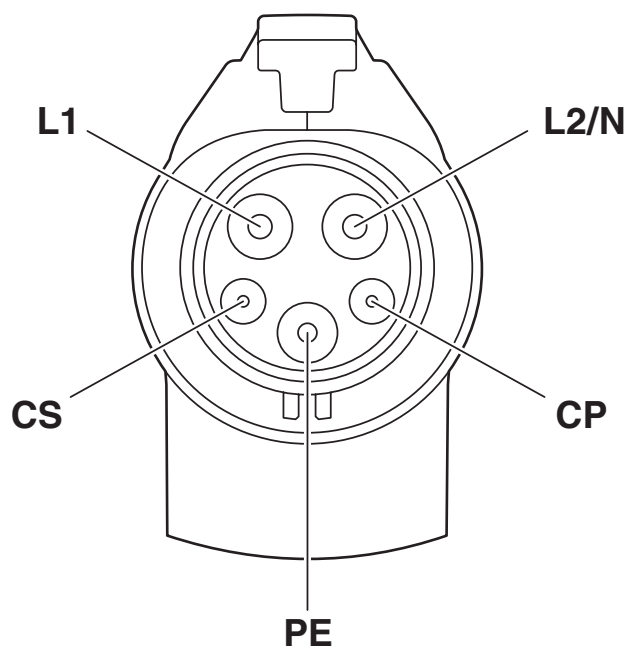
## Drawings

Dimensional drawing



Make sure that the vehicle charging connector is placed in an appropriate charging connector holder, which ensures a minimum protection rating of IP24 in accordance with IEC 61851-1, for the entire time between charging. To create this charging connector holder, use the dimensions of the vehicle charging connector. Detailed dimensions can also be found in the Download area.

Connection diagram



Pin assignment of the Vehicle Connector

# EV-T1G3C-1AC30A-5,0M6,0JSBK11U - AC charging cable

1449814

<https://www.phoenixcontact.com/us/products/1449814>

## Schematic diagram



## Operating instructions

### Schematic diagram



## Terminology definition

# EV-T1G3C-1AC30A-5,0M6,0JSBK11U - AC charging cable



1449814

<https://www.phoenixcontact.com/us/products/1449814>

## Classifications

### ECLASS

ECLASS-13.0

27144705

### ETIM

ETIM 9.0

EC002897

# EV-T1G3C-1AC30A-5,0M6,0JSBK11U - AC charging cable



1449814

<https://www.phoenixcontact.com/us/products/1449814>

## Environmental product compliance

### EU RoHS

Fulfills EU RoHS substance requirements	Yes
Exemption	6(c)

### China RoHS

Environment friendly use period (EFUP)	EFUP-10
	An article-related China RoHS declaration table can be found in the download area for the respective article under "Manufacturer declaration". For all articles with EFUP-E, no China RoHS declaration table issued and required.

### EU REACH SVHC

REACH candidate substance (CAS No.)	Lead(CAS: 7439-92-1)
SCIP	965f382d-4496-4521-8337-068f28431e41

Phoenix Contact 2026 © - all rights reserved

<https://www.phoenixcontact.com>

Phoenix Contact USA  
586 Fulling Mill Road  
Middletown, PA 17057, United States  
(+717) 944-1300  
[info@phoenixcon.com](mailto:info@phoenixcon.com)