

SAC-3P- 5,0-PVC/M 8FR SH VA - Sensor/actuator cable



1449246

<https://www.phoenixcontact.com/us/products/1449246>

Please be informed that the data shown in this PDF document is generated from our online catalog. Please find the complete data in the user documentation. Our general terms of use for downloads are valid.



Sensor/actuator cable, 3-position, PVC, black RAL 9005, shielded, free cable end, on Socket angled M8, coding: A, cable length: 5 m

Commercial data

Item number	1449246
Packing unit	1 pc
Minimum order quantity	25 pc
Note	Made to order (non-returnable)
Product key	AF1BIA
GTIN	4046356869355
Weight per piece (including packing)	187.3 g
Weight per piece (excluding packing)	179.9 g
Country of origin	PL

SAC-3P- 5,0-PVC/M 8FR SH VA - Sensor/actuator cable



1449246

<https://www.phoenixcontact.com/us/products/1449246>

Technical data

Product properties

Product type	Sensor/actuator cable
Number of positions	3
No. of cable outlets	1
Shielded	yes
Coding	A

Insulation characteristics

Overvoltage category	II
Degree of pollution	3

Material specifications

Flammability rating according to UL 94	HB
Seal material	NBR
Material of grip body	TPU, hardly inflammable, self-extinguishing
Contact material	CuSn
Contact surface material	Ni/Au
Contact carrier material	TPU GF
Material for screw connection	Stainless steel

Electrical properties

Insulation resistance	$\geq 100 \text{ M}\Omega$
Nominal voltage U_N	48 V AC
	60 V DC
Nominal current I_N	4 A

Mechanical properties

Mechanical data

Insertion/withdrawal cycles	≥ 100
-----------------------------	------------

Signaling

Status display	no
Status display present	no

Connector

Connection 1

Type	free cable end
------	----------------

Connection 2

Type	Socket angled M8
Number of positions	3
Coding type	A

SAC-3P- 5,0-PVC/M 8FR SH VA - Sensor/actuator cable



1449246

<https://www.phoenixcontact.com/us/products/1449246>

Cable/line

Cable length	5 m
--------------	-----

PVC black [PVC]

Cable weight	33 kg/km
Number of positions	3
Shielded	yes
Cable type	PVC black [PVC]
Conductor structure signal line	32x 0.10 mm
AWG signal line	22
Wire diameter incl. insulation	1.19 mm ±0.02 mm
External cable diameter	4.70 mm ±0.2 mm
Outer sheath, material	PVC
External sheath, color	black RAL 9005
Conductor material	Bare Cu litz wires
Material wire insulation	PVC
Single wire, color	brown, blue, black
Thickness, insulation	≥ 0.23 mm (Core insulation) ≥ 0.65 mm (Outer cable sheath)
Overall twist	3 wires, twisted
Optical shield covering	85 %
Max. conductor resistance	max. 78 Ω/km (at 20 °C)
Insulation resistance	≥ 100 MΩ*km (at 20 °C)
Nominal voltage, cable	300 V
Test voltage	3000 V
Ambient temperature (operation)	-30 °C ... 80 °C (cable, fixed installation) -15 °C ... 80 °C (Cable, flexible installation)

Environmental and real-life conditions

Ambient conditions

Degree of protection	IP65 IP67
Ambient temperature (operation)	-25 °C ... 90 °C (Plug / socket)
Ambient temperature (operation) (Cable, fixed installation)	-25 °C ... 80 °C (cable, fixed installation)
Ambient temperature (operation) (Cable, flexible installation)	-5 °C ... 80 °C (Cable, flexible installation)

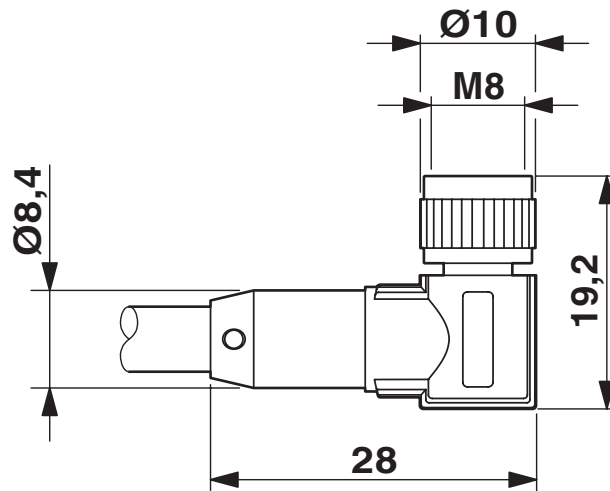
SAC-3P- 5,0-PVC/M 8FR SH VA - Sensor/actuator cable

1449246

<https://www.phoenixcontact.com/us/products/1449246>

Drawings

Dimensional drawing



Socket M8 x 1, angled, shielded

Schematic diagram



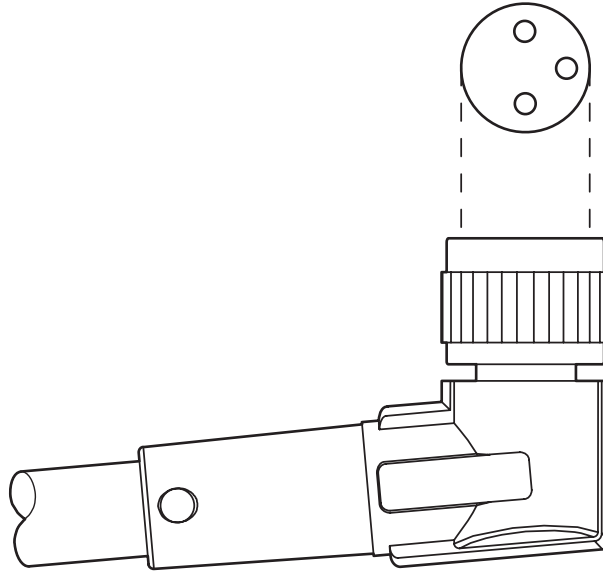
Pin assignment M8 socket, 3-pos., view female side

SAC-3P- 5,0-PVC/M 8FR SH VA - Sensor/actuator cable

1449246

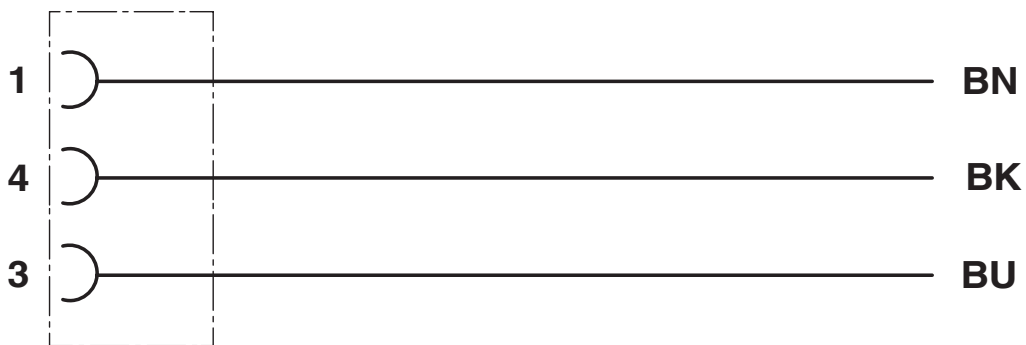
<https://www.phoenixcontact.com/us/products/1449246>

Schematic diagram



Layout of connector pin assignments

Circuit diagram



Contact assignment of M8 socket

SAC-3P- 5,0-PVC/M 8FR SH VA - Sensor/actuator cable



1449246

<https://www.phoenixcontact.com/us/products/1449246>

Classifications

ECLASS

ECLASS-13.0	27060311
ECLASS-15.0	27060311

ETIM

ETIM 10.0	EC001855
-----------	----------

UNSPSC

UNSPSC 21.0	26121600
-------------	----------

SAC-3P- 5,0-PVC/M 8FR SH VA - Sensor/actuator cable



1449246

<https://www.phoenixcontact.com/us/products/1449246>

Environmental product compliance

EU RoHS

Fulfills EU RoHS substance requirements	Yes, No exemptions
---	--------------------

China RoHS

Environment friendly use period (EFUP)	EFUP-E
	No hazardous substances above the limits

EU REACH SVHC

REACH candidate substance (CAS No.)	No substance above 0.1 wt%
-------------------------------------	----------------------------

Phoenix Contact 2026 © - all rights reserved
<https://www.phoenixcontact.com>

Phoenix Contact USA
586 Fulling Mill Road
Middletown, PA 17057, United States
(+717) 944-1300
info@phoenixcon.com