

SAC-5P- 5,0-441/MINFR PWR - Power cable



1443970

<https://www.phoenixcontact.com/us/products/1443970>

Please be informed that the data shown in this PDF document is generated from our online catalog. Please find the complete data in the user documentation. Our general terms of use for downloads are valid.



Power cable, 5-position, PUR, gray RAL 7001, free cable end, on Socket angled 7/8"-16UNF, coding: A, cable length: 5 m, 2.5 mm² conductor cross-section, For power supply

Your advantages

- Easy and safe: 100 % electrically tested plug-in components
- High-performance: connectors and cables with a large conductor cross-section for power supply

Commercial data

Item number	1443970
Packing unit	1 pc
Note	Made to order (non-returnable)
Sales key	B22
Product key	AF1FDA
GTIN	4046356537544
Weight per piece (including packing)	1,042.2 g
Weight per piece (excluding packing)	222.22 g
Customs tariff number	85444290
Country of origin	DE

SAC-5P- 5,0-441/MINFR PWR - Power cable



1443970

<https://www.phoenixcontact.com/us/products/1443970>

Technical data

Product properties

Product type	Sensor/actuator cable
Application	Energy supply
Number of positions	5
No. of cable outlets	1
Shielded	no
Coding	A

Insulation characteristics

Overvoltage category	II
Degree of pollution	3

Material specifications

Flammability rating according to UL 94	HB
Material of grip body	TPU
Contact material	CuZn
Contact surface material	Au
Contact carrier material	PA 6.6
Material for screw connection	Zinc die-cast, nickel-plated

Electrical properties

Rated surge voltage	4000 V
Insulation resistance	$\geq 10 \text{ M}\Omega$
Nominal voltage U_N	63 V DC
Nominal current I_N	13 A

Mechanical properties

Mechanical data

Insertion/withdrawal cycles	100
-----------------------------	-----

Signaling

Status display	no
Status display present	no

Connector

Connection 1

Type	free cable end
------	----------------

Connection 2

Type	Socket angled 7/8"-16UNF
Number of positions	5
Coding type	A

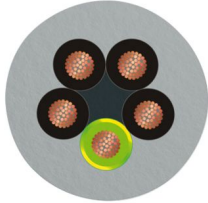
SAC-5P- 5,0-441/MINFR PWR - Power cable



1443970

<https://www.phoenixcontact.com/us/products/1443970>

Cable/line

Cable length	5 m
PUR/PVC gray [441]	
Dimensional drawing	
Cable weight	195 kg/km
UL AWM Style	20234 (80 °C / 600 V)
Number of positions	5
Shielded	no
Cable type	PUR/PVC gray [441]
AWG signal line	14
Conductor structure, voltage supply	50x 0.25 mm
Conductor cross-section	5x 2.5 mm ²
External cable diameter	10.80 mm ±0.2 mm
Outer sheath, material	PUR
External sheath, color	gray RAL 7001
Conductor material	Bare Cu litz wires
Material wire insulation	PVC
Single wire, color	black 1, black 2, black 3, black 4, green/yellow
Overall twist	5 cores, twisted
Max. conductor resistance	7.98 Ω/km
Nominal voltage, cable	500 V AC
Test voltage	4000 V AC
Minimum bending radius, fixed installation	7.5 x D
Minimum bending radius, flexible installation	15 x D
Smallest bending radius, fixed installation	81 mm
Smallest bending radius, movable installation	162 mm
Flame resistance	in accordance with EN 60332-1-2 in acc. to UL VW1 according to CSA FT1
Resistance to oil	According to HD 22.10 according to VDE 0282 Part 10
Ambient temperature (operation)	-40 °C ... 90 °C (cable, fixed installation) 5 °C ... 90 °C (Cable, flexible installation)

Environmental and real-life conditions

SAC-5P- 5,0-441/MINFR PWR - Power cable



1443970

<https://www.phoenixcontact.com/us/products/1443970>

Ambient conditions

Degree of protection	IP65
	IP67
	IP68
Ambient temperature (operation) (male connector/female connector)	-40 °C ... 90 °C (Socket)
Ambient temperature (operation) (Cable, fixed installation)	-40 °C ... 90 °C (cable, fixed installation)
Ambient temperature (operation) (Cable, flexible installation)	5 °C ... 90 °C (Cable, flexible installation)

SAC-5P- 5,0-441/MINFR PWR - Power cable

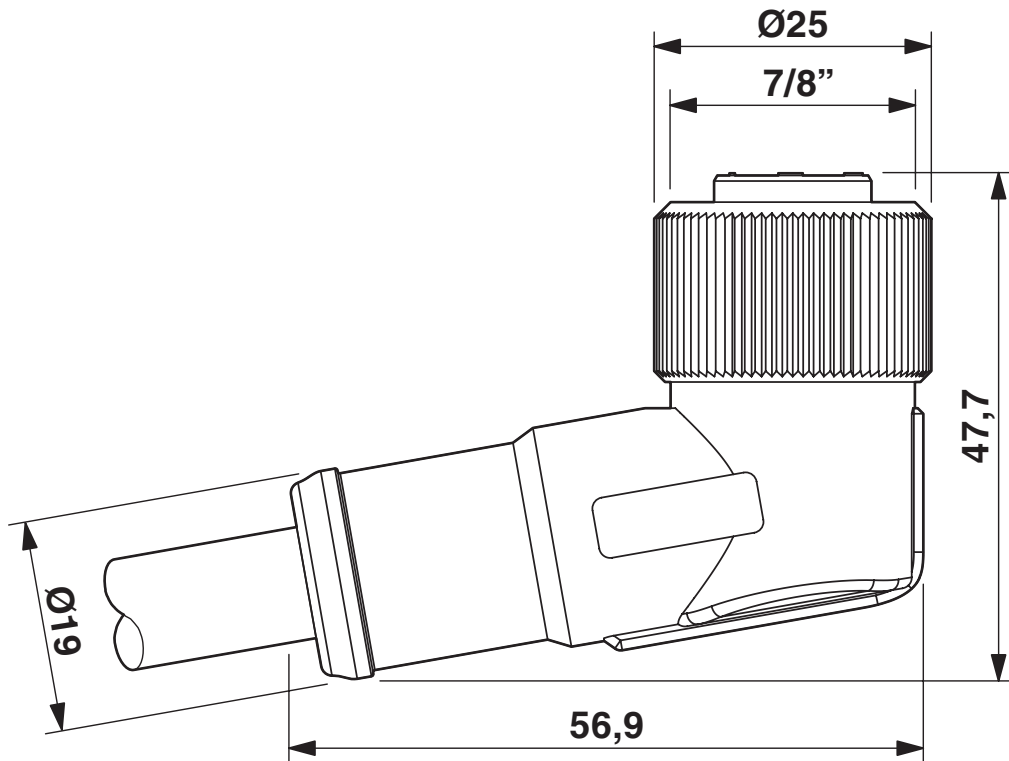


1443970

<https://www.phoenixcontact.com/us/products/1443970>

Drawings

Dimensional drawing



7/8"-16UNF socket, angled

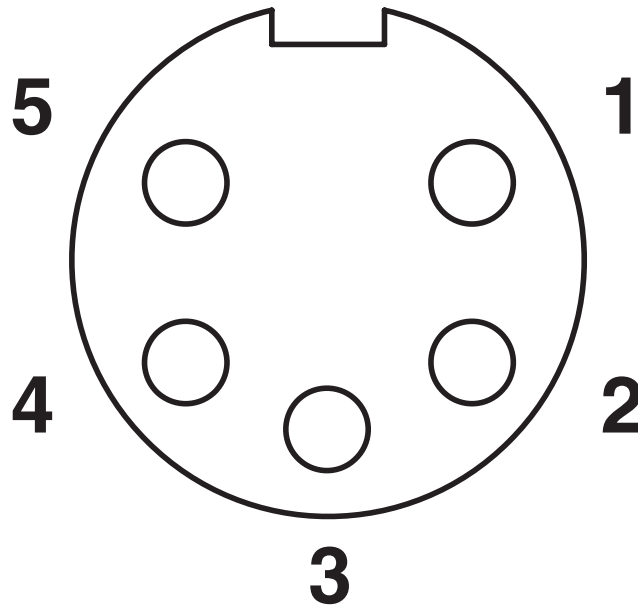
SAC-5P- 5,0-441/MINFR PWR - Power cable



1443970

<https://www.phoenixcontact.com/us/products/1443970>

Schematic diagram



Pin assignment, socket, 7/8"-16UNF, 5-pos., view of female side

Circuit diagram



Contact assignment of 7/8" socket

SAC-5P- 5,0-441/MINFR PWR - Power cable



1443970

<https://www.phoenixcontact.com/us/products/1443970>

Classifications

ECLASS

ECLASS-13.0	27060311
ECLASS-15.0	27060311

Phoenix Contact 2026 © - all rights reserved

<https://www.phoenixcontact.com>

Phoenix Contact USA
586 Fulling Mill Road
Middletown, PA 17057, United States
(+717) 944-1300
info@phoenixcon.com