

SAC-3P-10,0-280/M 8FR-2L - Sensor/actuator cable



1441202

<https://www.phoenixcontact.com/us/products/1441202>

Please be informed that the data shown in this PDF document is generated from our online catalog. Please find the complete data in the user documentation. Our general terms of use for downloads are valid.



Sensor/actuator cable, 3-position, PUR halogen-free, silver-gray RAL 7001, free cable end, on Socket angled M8, with 2 LEDs, cable length: 10 m

Commercial data

Item number	1441202
Packing unit	1 pc
Minimum order quantity	1 pc
Product key	AF1BBA
GTIN	4046356516143
Weight per piece (including packing)	234.4 g
Weight per piece (excluding packing)	234.4 g
Country of origin	PL

SAC-3P-10,0-280/M 8FR-2L - Sensor/actuator cable



1441202

<https://www.phoenixcontact.com/us/products/1441202>

Technical data

Product properties

Product type	Sensor/actuator cable
Number of positions	3

Electrical properties

Nominal voltage U_N	24 V DC
-----------------------	---------

Connector

Connection 1

Type	free cable end
------	----------------

Connection 2

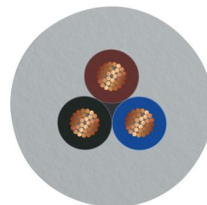
Type	Socket angled M8
Number of positions	3

Cable/line

Cable length	10 m
--------------	------

PUR halogen-free gray [280]

Dimensional drawing



Cable weight	24 kg/km
UL AWM Style	20549
Number of positions	3
Shielded	no
Cable type	PUR halogen-free gray [280]
Conductor structure signal line	32x 0.10 mm
AWG signal line	24
Conductor cross-section	0.25 mm ²
Wire diameter incl. insulation	1.17 mm ±0.02 mm
External cable diameter	4.40 mm ±0.15 mm
Outer sheath, material	PUR
External sheath, color	silver-gray RAL 7001
Conductor material	Bare Cu litz wires
Material wire insulation	PP
Single wire, color	brown, blue, black

SAC-3P-10,0-280/M 8FR-2L - Sensor/actuator cable



1441202

<https://www.phoenixcontact.com/us/products/1441202>

Thickness, insulation	≥ 0.21 mm (Core insulation)
	approx. 0.90 mm (Outer cable sheath)
Overall twist	3 wires, twisted
Max. conductor resistance	max. 78 Ω/km (at 20 °C)
Insulation resistance	≥ 100 GΩ*km (at 20 °C)
Nominal voltage, cable	≤ 300 V
Test voltage	≥ 3000 V
Smallest bending radius, fixed installation	44 mm
Smallest bending radius, movable installation	44 mm
Dynamic load capacity (bending)	Max. bending cycles: 10000000, Bending radius: 44 mm, Traversing path: 10 m, Traversing rate: 3 m/s
Dynamic load capacity (torsion)	Torsion: ±180 °/m, Torsion cycles: ≥5000000, Torsional frequency: 35 cycles/min.
Halogen-free	in accordance with DIN VDE 0472 part 815
Flame resistance	in accordance with DIN UL-Style 20549
Ambient temperature (operation)	-25 °C ... 80 °C (cable, fixed installation)
	-5 °C ... 80 °C (Cable, flexible installation)

SAC-3P-10,0-280/M 8FR-2L - Sensor/actuator cable

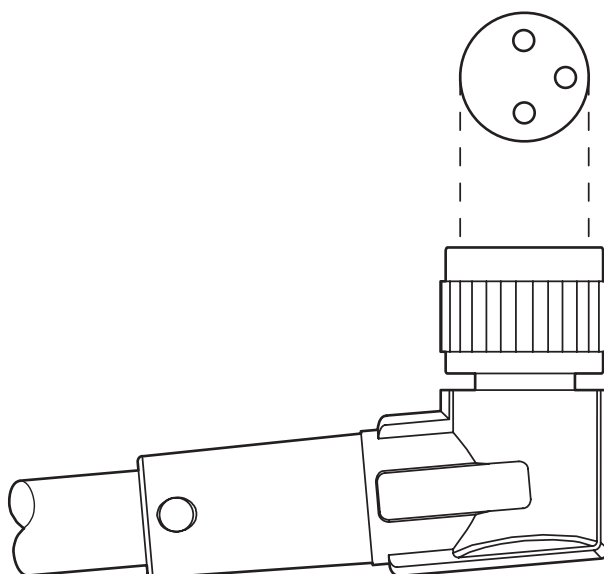
1441202

<https://www.phoenixcontact.com/us/products/1441202>



Drawings

Schematic diagram



Layout of connector pin assignments

SAC-3P-10,0-280/M 8FR-2L - Sensor/actuator cable



1441202

<https://www.phoenixcontact.com/us/products/1441202>

Classifications

ECLASS

ECLASS-13.0	27060311
ECLASS-15.0	27060311

1441202

<https://www.phoenixcontact.com/us/products/1441202>

Environmental product compliance

China RoHS

Environment friendly use period (EFUP)	EFUP-50
	An article-related China RoHS declaration table can be found in the download area for the respective article under "Manufacturer declaration". For all articles with EFUP-E, no China RoHS declaration table issued and required.

EU REACH SVHC

REACH candidate substance (CAS No.)	No substance above 0.1 wt%
-------------------------------------	----------------------------

Phoenix Contact 2026 © - all rights reserved
<https://www.phoenixcontact.com>

Phoenix Contact USA
586 Fulling Mill Road
Middletown, PA 17057, United States
(+717) 944-1300
info@phoenixcon.com