

SACC-M 8FS-4QO-0,25-M - Connector



1441053

<https://www.phoenixcontact.com/us/products/1441053>

Please be informed that the data shown in this PDF document is generated from our online catalog. Please find the complete data in the user documentation. Our general terms of use for downloads are valid.



Connector, Universal, 4-position, Socket straight M8, coding: A, Insulation displacement connection, knurl material: Zinc die-cast, nickel-plated, external cable diameter 2.5 mm ... 5 mm

Your advantages

- Safe use in the field, thanks to a high degree of protection
- Insulation displacement connection: innovative and time-saving assembly without stripping the single wire

Commercial data

Item number	1441053
Packing unit	1 pc
Minimum order quantity	1 pc
Sales key	BF31
Product key	AF2BCA
GTIN	4046356515948
Weight per piece (including packing)	7.2 g
Weight per piece (excluding packing)	6.8 g
Customs tariff number	85366990
Country of origin	DE

SACC-M 8FS-4QO-0,25-M - Connector



1441053

<https://www.phoenixcontact.com/us/products/1441053>

Technical data

Notes

Assembly note	NOTE: Observe the permissible bending radii when routing cables, since the degree of protection may be at risk if the bending forces are too high. Reduce mechanical loads upstream of the connector, e.g., by using cable ties.
---------------	---

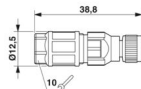
Product properties

Product type	Circular connector (cable-side)
Sensor type	Universal
Number of positions	4
No. of cable outlets	1
Shielded	no
Coding	A
Cable outlet	straight

Insulation characteristics

Overvoltage category	II
Degree of pollution	3

Dimensions

Dimensional drawing	
Length	38.8 mm

External dimensions

Outside diameter	2.5 mm ... 5 mm ±0.2 mm
------------------	-------------------------

Housing

Diameter housing	12.5 mm
------------------	---------

Material specifications

Flammability rating according to UL 94	HB
Seal material	NBR
Material of grip body	PA 6
Contact material	CuSn
Contact surface material	Ni/Au
Contact carrier material	TPU GF
Material for screw connection	Zinc die-cast, nickel-plated
Wire insulation material	PVC / PE / PP / rubber

SACC-M 8FS-4QO-0,25-M - Connector



1441053

<https://www.phoenixcontact.com/us/products/1441053>

Connection data

Conductor connection

Connection method	Insulation displacement connection
Connection cross section	0.08 mm ² ... 0.25 mm ²
Connection cross section AWG	28 ... 24
Tightening torque	0.6 Nm (Pressure nut) 0.2 Nm (M8 knurl)

Connection assignment

Contact Color (signal designation) Contact (optional)	1 = BN
	2 = WH
	3 = BU
	4 = BK

Electrical properties

Rated surge voltage	0.8 kV
Contact resistance	≤ 5 mΩ
Insulation resistance	≥ 100 MΩ
Nominal voltage U _N	30 V AC 30 V DC
Nominal current I _N	4 A

Mechanical properties

Mechanical data

Insertion/withdrawal cycles	≥ 100
-----------------------------	-------

Connector

Connection 1

Head design	Socket
Head cable outlet	straight
Head thread type	M8
Coding	A

Cable/line

Signal type/category	Universal
External cable diameter	2.5 mm ... 5 mm

Environmental and real-life conditions

Ambient conditions

Degree of protection	IP65 IP67
Ambient temperature (operation) (male connector/female connector)	-25 °C ... 80 °C (Plug / socket)

SACC-M 8FS-4QO-0,25-M - Connector



1441053

<https://www.phoenixcontact.com/us/products/1441053>

Standards and regulations

M8

Standard designation	M8 connector
Standards/specifications	IEC 61076-2-104

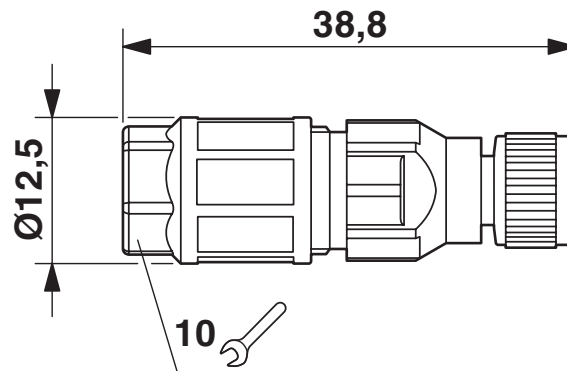
SACC-M 8FS-4QO-0,25-M - Connector

1441053

<https://www.phoenixcontact.com/us/products/1441053>

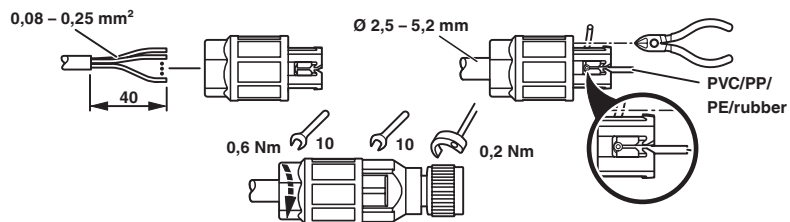
Drawings

Dimensional drawing



Socket M8 x 1, straight

Functional drawing



SACC-M 8FS-4QO-0,25-M - Connector

1441053

<https://www.phoenixcontact.com/us/products/1441053>



Schematic diagram



Pin assignment of M8 socket, 4-pos., view of pin side

SACC-M 8FS-4QO-0,25-M - Connector



1441053

<https://www.phoenixcontact.com/us/products/1441053>

Approvals

To download certificates, visit the product detail page: <https://www.phoenixcontact.com/us/products/1441053>



cUL Recognized
Approval ID: E118976



UL Recognized
Approval ID: E118976



EAC
Approval ID: RU C-DE.AI30.B.01102

SACC-M 8FS-4QO-0,25-M - Connector



1441053

<https://www.phoenixcontact.com/us/products/1441053>

Classifications

ECLASS

ECLASS-13.0	27440116
ECLASS-15.0	27440116

ETIM

ETIM 10.0	EC002635
-----------	----------

UNSPSC

UNSPSC 21.0	39121400
-------------	----------

SACC-M 8FS-4QO-0,25-M - Connector



1441053

<https://www.phoenixcontact.com/us/products/1441053>

Environmental product compliance

EU RoHS

Fulfills EU RoHS substance requirements	Yes, No exemptions
---	--------------------

China RoHS

Environment friendly use period (EFUP)	EFUP-E
	No hazardous substances above the limits

EU REACH SVHC

REACH candidate substance (CAS No.)	No substance above 0.1 wt%
-------------------------------------	----------------------------

EF3.1 Climate Change

CO2e kg	0.566 kg CO2e
---------	---------------

Phoenix Contact 2026 © - all rights reserved
<https://www.phoenixcontact.com>

Phoenix Contact USA
586 Fulling Mill Road
Middletown, PA 17057, United States
(+717) 944-1300
info@phoenixcon.com