

SAC-M12T/2XM12 PB - T distributor



1440672

<https://www.phoenixcontact.com/us/products/1440672>

Please be informed that the data shown in this PDF document is generated from our online catalog. Please find the complete data in the user documentation. Our general terms of use for downloads are valid.

Bus system T-plug, 5-pos., PROFIBUS, coding rotated 90°, M12 B-coded male plug to M12 B-coded male plug and M12 B-coded female plug, shielded



Commercial data

Item number	1440672
Packing unit	1 pc
Note	Made to order (non-returnable)
Sales key	BF10
Product key	AF1GAA
GTIN	4046356503242
Weight per piece (including packing)	38.9 g
Weight per piece (excluding packing)	38.9 g
Customs tariff number	85366990
Country of origin	PL

SAC-M12T/2XM12 PB - T distributor

1440672

<https://www.phoenixcontact.com/us/products/1440672>

Technical data

Product properties

Product type	T-distributor
Number of positions	4
No. of cable outlets	2
Coding	B
Thread type	M12

Insulation characteristics

Overvoltage category	II
Degree of pollution	3

Electrical properties

Insulation resistance	$\geq 1 \text{ G}\Omega$
Nominal voltage U_N	30 V AC 36 V DC
Nominal current I_N	1 A (Contact 2 and 4) 4 A (Contact 1 and 3)
Test voltage	1 kV
Transmission speed	12 Mbps

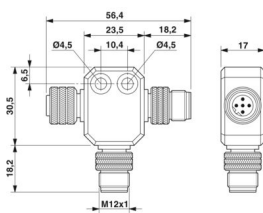
Interfaces

Signal type/category	PROFIBUS DP, 12 Mbps
----------------------	----------------------

Signaling

Status display	no
Status display present	no

Dimensions

Dimensional drawing	
Length	56.4 mm

Material specifications

Flammability rating according to UL 94	V0
Seal material	Viton
Material of grip body	PUR
Contact material	CuSn

SAC-M12T/2XM12 PB - T distributor



1440672

<https://www.phoenixcontact.com/us/products/1440672>

Contact surface material	Ni/Au
Contact carrier material	PUR
Material for screw connection	Brass, nickel-plated

Connector

Connection 1

Type	Plug straight M12
Coding type	B

Connection 2

Type	Plug straight M12
Coding type	B

Connection 3

Type	Socket straight M12
Coding type	B

Cable/line

Signal type/category	PROFIBUS DP, 12 Mbps
----------------------	----------------------

Mechanical properties

Mechanical data

Insertion/withdrawal cycles	≥ 100
-----------------------------	-------

Environmental and real-life conditions

Ambient conditions

Degree of protection	IP65
	IP67
Ambient temperature (operation) (male connector/female connector)	-25 °C ... 80 °C (Plug / socket)

Standards and regulations

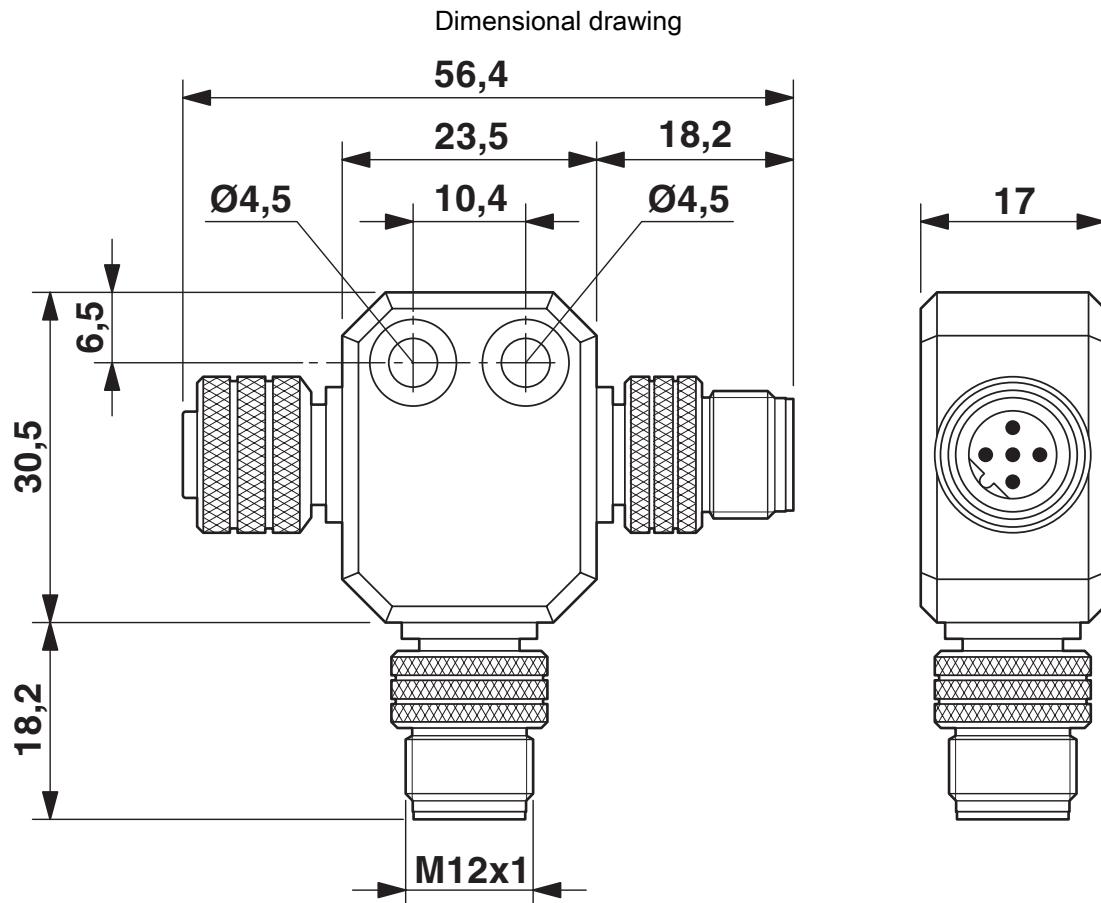
Standard designation	M12 connector
Standards/specifications	IEC 61076-2-101

SAC-M12T/2XM12 PB - T distributor

1440672

<https://www.phoenixcontact.com/us/products/1440672>

Drawings



M12 T distributor

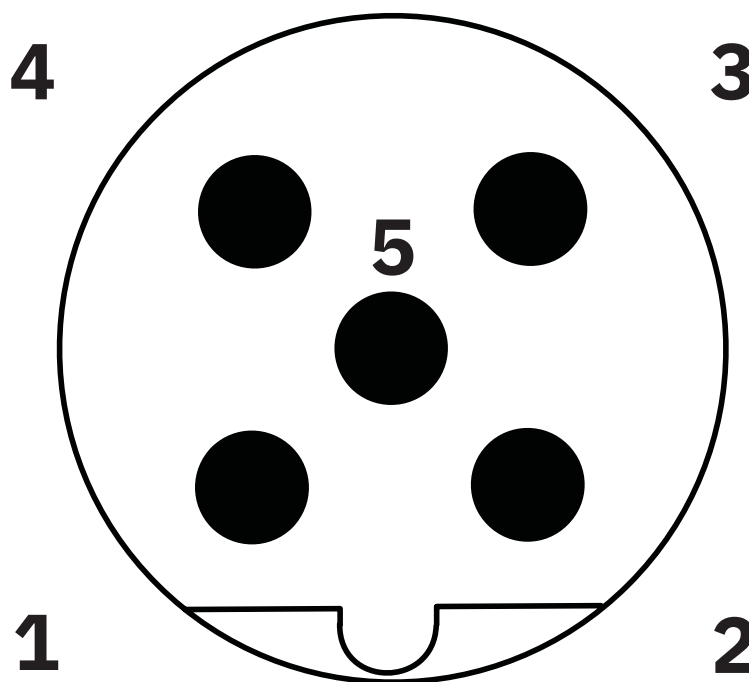
SAC-M12T/2XM12 PB - T distributor

1440672

<https://www.phoenixcontact.com/us/products/1440672>



Schematic diagram



Pin assignment M12 male connector, 5-pos., B-coded, male side

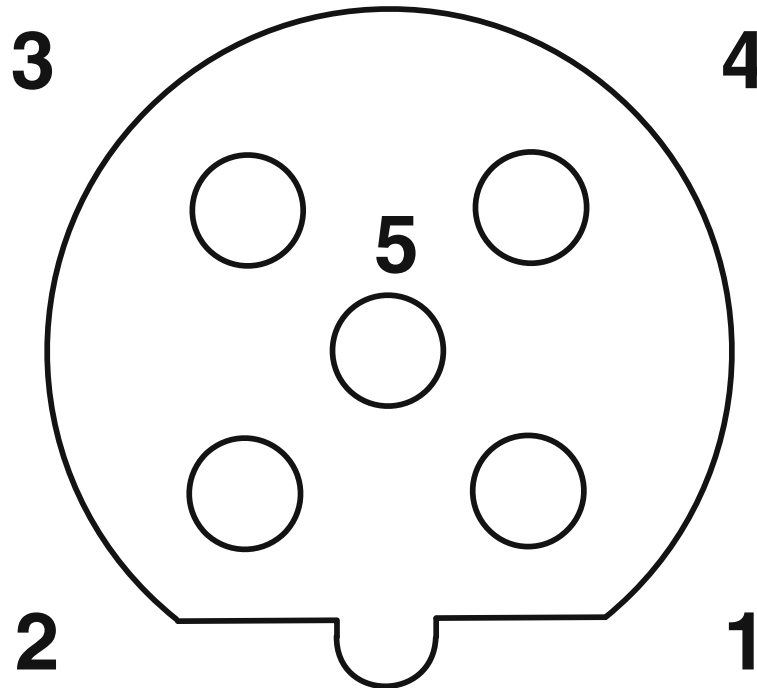
SAC-M12T/2XM12 PB - T distributor

1440672

<https://www.phoenixcontact.com/us/products/1440672>



Schematic diagram



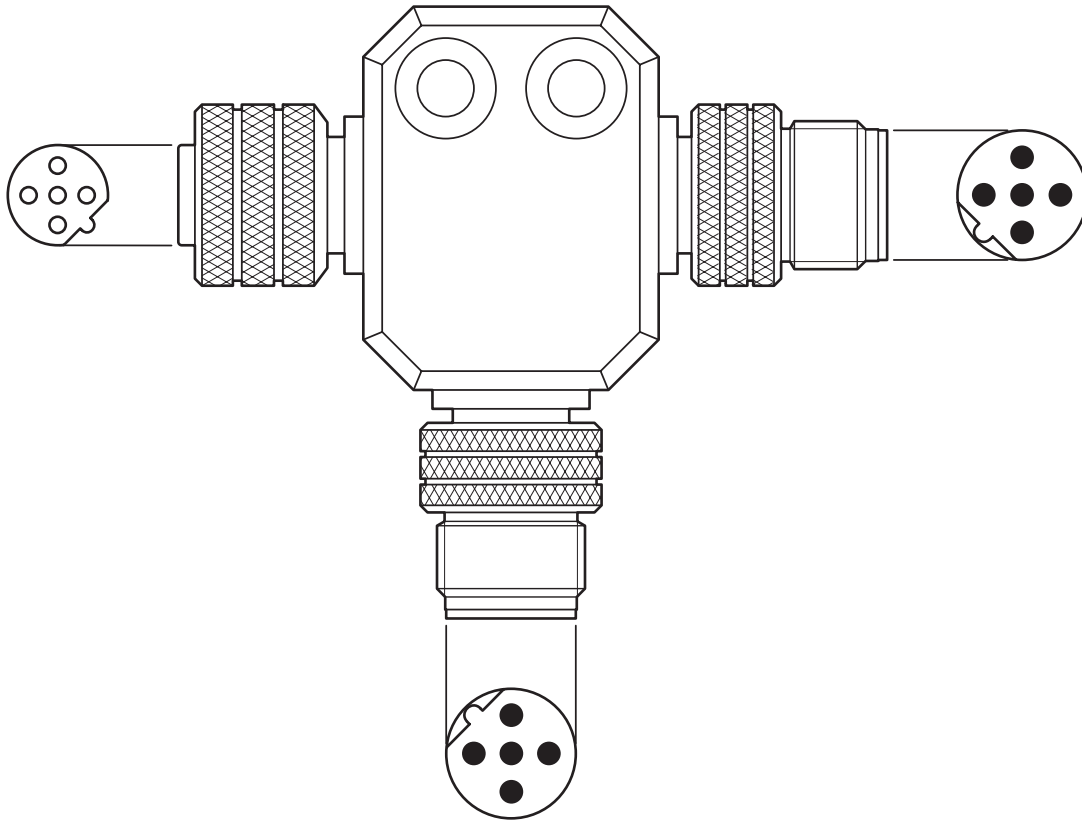
Pin assignment M12 socket, 5-pos., B-coded, female side

SAC-M12T/2XM12 PB - T distributor

1440672

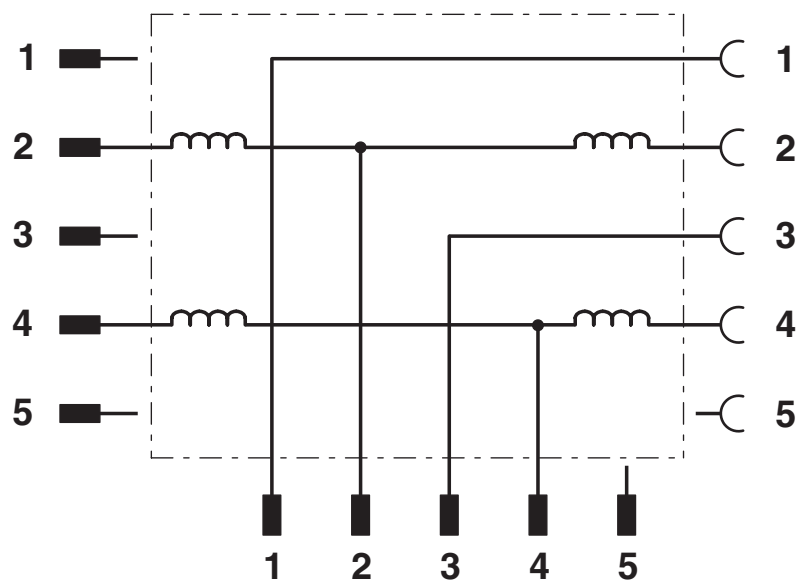
<https://www.phoenixcontact.com/us/products/1440672>

Schematic diagram



Layout of connector pin assignments

Circuit diagram



Contact assignment of the M12 plug and the M12 socket

SAC-M12T/2XM12 PB - T distributor



1440672

<https://www.phoenixcontact.com/us/products/1440672>

Classifications

ECLASS

ECLASS-13.0	27440106
ECLASS-15.0	27440106

UNSPSC

UNSPSC 21.0	31251501
-------------	----------

SAC-M12T/2XM12 PB - T distributor



1440672

<https://www.phoenixcontact.com/us/products/1440672>

Environmental product compliance

EU RoHS

Fulfills EU RoHS substance requirements	Yes
Exemption	6(c)

China RoHS

Environment friendly use period (EFUP)	EFUP-50
	An article-related China RoHS declaration table can be found in the download area for the respective article under "Manufacturer declaration". For all articles with EFUP-E, no China RoHS declaration table issued and required.

EU REACH SVHC

REACH candidate substance (CAS No.)	Lead(CAS: 7439-92-1)
-------------------------------------	----------------------

Phoenix Contact 2026 © - all rights reserved
<https://www.phoenixcontact.com>

Phoenix Contact USA
586 Fulling Mill Road
Middletown, PA 17057, United States
(+717) 944-1300
info@phoenixcon.com