

SAC-5P-MS/0,7-PUR/AD-2L VW - Sensor/actuator cable



1439625

<https://www.phoenixcontact.com/us/products/1439625>

Please be informed that the data shown in this PDF document is generated from our online catalog. Please find the complete data in the user documentation. Our general terms of use for downloads are valid.



Sensor/actuator cable, 5-position, PUR halogen-free, irradiated, orange RAL 2003, Plug straight M12, coding: A, with 2 LEDs, on Valve connector AD (pressure switch), with 2 LEDs, cable length: 0.7 m, Customer-specific version

Commercial data

Item number	1439625
Packing unit	1 pc
Minimum order quantity	1 pc
Product key	AF1DKA
GTIN	4046356489577
Weight per piece (including packing)	82.42 g
Weight per piece (excluding packing)	75.42 g
Country of origin	PL

SAC-5P-MS/0,7-PUR/AD-2L VW - Sensor/actuator cable



1439625

<https://www.phoenixcontact.com/us/products/1439625>

Technical data

Product properties

Product type	Sensor/actuator cable with valve connector
Number of positions	5
No. of cable outlets	1
Shielded	no
Coding	A

Insulation characteristics

Overvoltage category	II
Degree of pollution	3

Material specifications

Flammability rating according to UL 94	V0
Seal material	TPU
Material housing valve plug	TPU
Material of grip body	TPU
Contact material	CuSn
Contact surface material	Ni/Au
Contact carrier material	TPU GF
Contact material	CuSn
Valve plug contact insert material	PA 6
Contact surface material	Sn
Material for screw connection	Zinc die-cast, nickel-plated

Electrical properties

Insulation resistance	$\geq 100 \text{ M}\Omega$
Nominal voltage U_N	24 V AC
	24 V DC
Nominal current I_N	4 A

Signaling

Status display	2 LEDs
Status display present	yes

Connector

Connection 1

Type	Plug straight M12
Number of positions	5
Coding type	A

Connection 2

Type	Valve connector AD (pressure switch)
------	--------------------------------------

SAC-5P-MS/0,7-PUR/AD-2L VW - Sensor/actuator cable

1439625

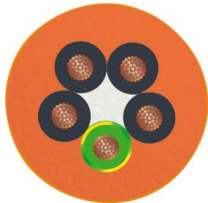
<https://www.phoenixcontact.com/us/products/1439625>

Number of positions	5
Material	CuSn (Contact)
	Sn (Contact surface)
	PA 6 (Contact carrier)
	TPU (Housing)

Cable/line

Cable length	0.7 m
--------------	-------

PUR irradiated halogen-free orange [150]

Dimensional drawing	
Number of positions	5
Shielded	no
Cable type	PUR irradiated halogen-free orange [150]
Conductor structure signal line	28x 0.15 mm
AWG signal line	20
Conductor cross-section	5x 0.5 mm ² (Signal line)
Wire diameter incl. insulation	1.46 mm ±0.02 mm (Signal line)
External cable diameter	5.80 mm ±0.15 mm
Outer sheath, material	PUR
External sheath, color	orange RAL 2003
Conductor material	Bare Cu litz wires
Material, filler	PP
Material wire insulation	TPE-E
Single wire, color	black 1, black 2, black 3, black 4, green/yellow
Thickness, insulation	≥ 0.21 mm (Core insulation)
	approx. 0.60 mm (Outer cable sheath)
Overall twist	5 wires around filler to the core
Max. conductor resistance	max. 39 Ω/km
Insulation resistance	≥ 100 MΩ*km
Nominal voltage, cable	≤ 300 V
Test voltage	≥ 3000 V
Dynamic load capacity (bending)	Max. bending cycles: 5000000, Bending radius: 5 mm, Traversing path: 10 m, Traversing rate: 3 m/s
Halogen-free	in accordance with DIN VDE 0472 part 815
Flame resistance	in accordance with DIN UL-Style 20549
Special properties	Silicone-free

SAC-5P-MS/0,7-PUR/AD-2L VW - Sensor/actuator cable



1439625

<https://www.phoenixcontact.com/us/products/1439625>

	Irradiated
Ambient temperature (operation)	-25 °C ... 80 °C (cable, fixed installation)
	-5 °C ... 80 °C (Cable, flexible installation)

Environmental and real-life conditions

Ambient conditions

Degree of protection	IP65
	IP67
Ambient temperature (operation) (male connector/female connector)	-25 °C ... 90 °C (Plug / socket)
Ambient temperature (operation) (Valve connector)	-20 °C ... 85 °C (Valve connector)
Ambient temperature (operation) (Cable, fixed installation)	-25 °C ... 80 °C (cable, fixed installation)
Ambient temperature (operation) (Cable, flexible installation)	-5 °C ... 80 °C (Cable, flexible installation)

Standards and regulations

M12

Standard designation	M12 connector
Standards/specifications	IEC 61076-2-101

Valve connector

Standard designation	Valve connector
Standards/specifications	EN 175301-803

SAC-5P-MS/0,7-PUR/AD-2L VW - Sensor/actuator cable

1439625

<https://www.phoenixcontact.com/us/products/1439625>

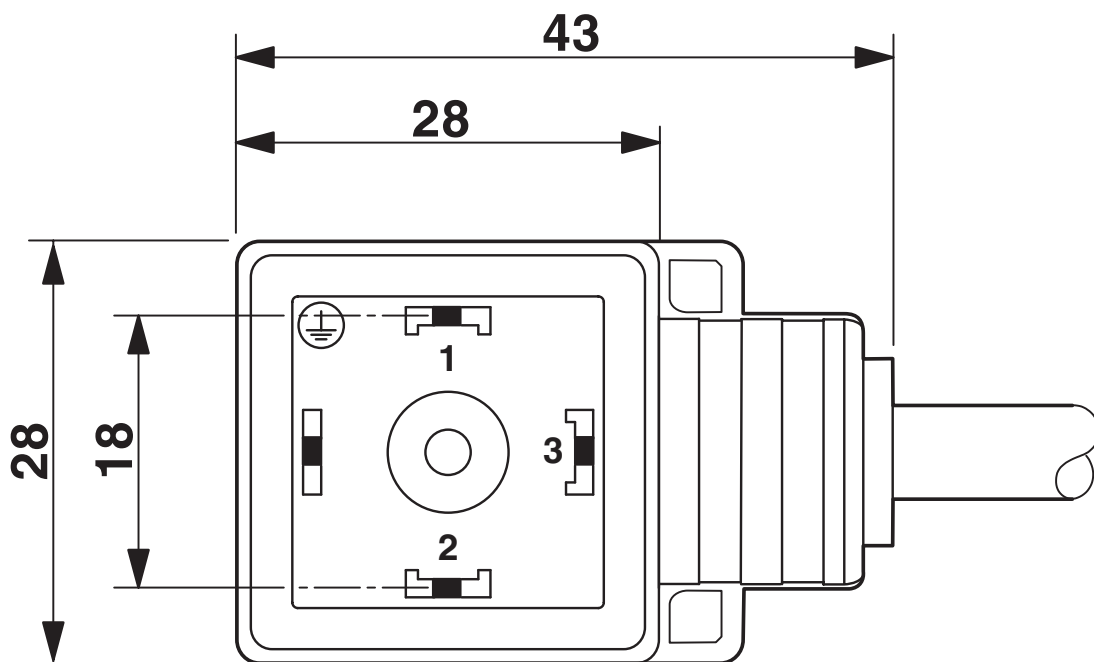
Drawings

Dimensional drawing



M12 SPEEDCON plug, straight

Dimensional drawing



Valve connector, type AD

SAC-5P-MS/0,7-PUR/AD-2L VW - Sensor/actuator cable

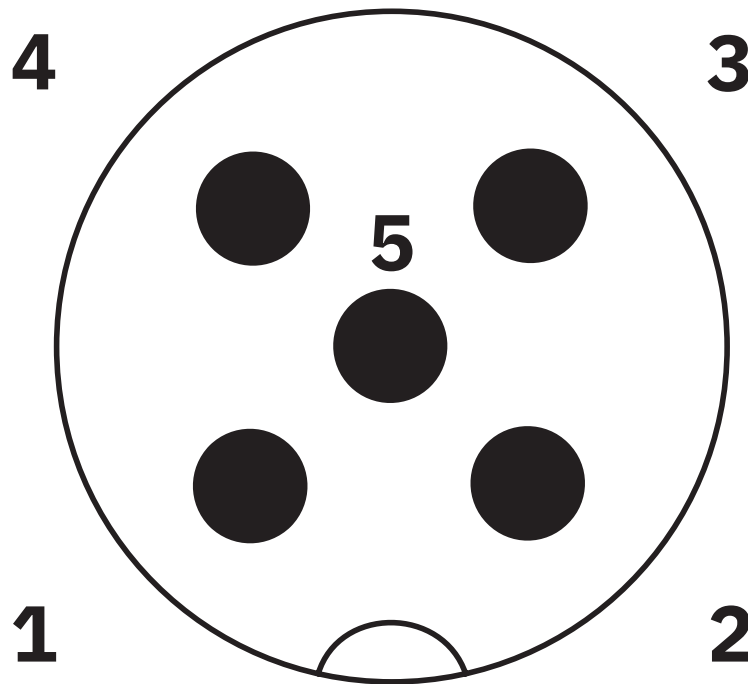
1439625

<https://www.phoenixcontact.com/us/products/1439625>



Valve connector, type AD, side view

Schematic diagram



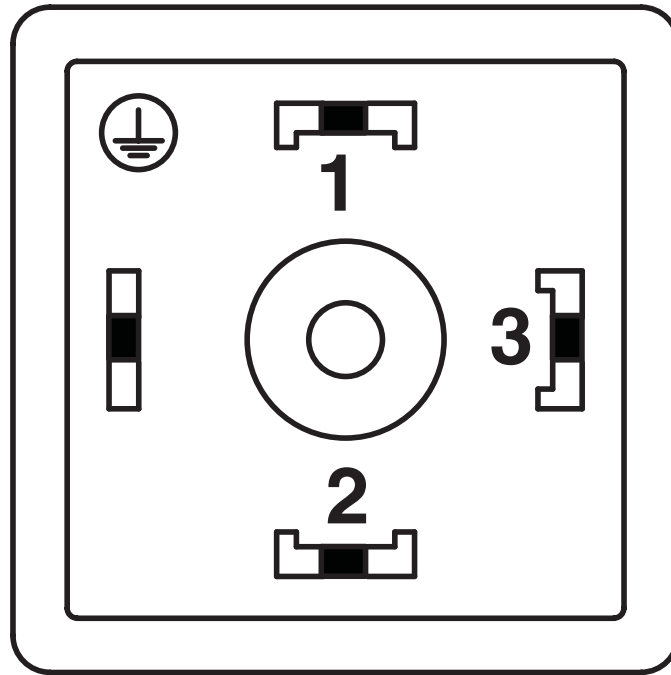
Pin assignment M12 male connector, 5-pos., A-coded, male side

SAC-5P-MS/0,7-PUR/AD-2L VW - Sensor/actuator cable

1439625

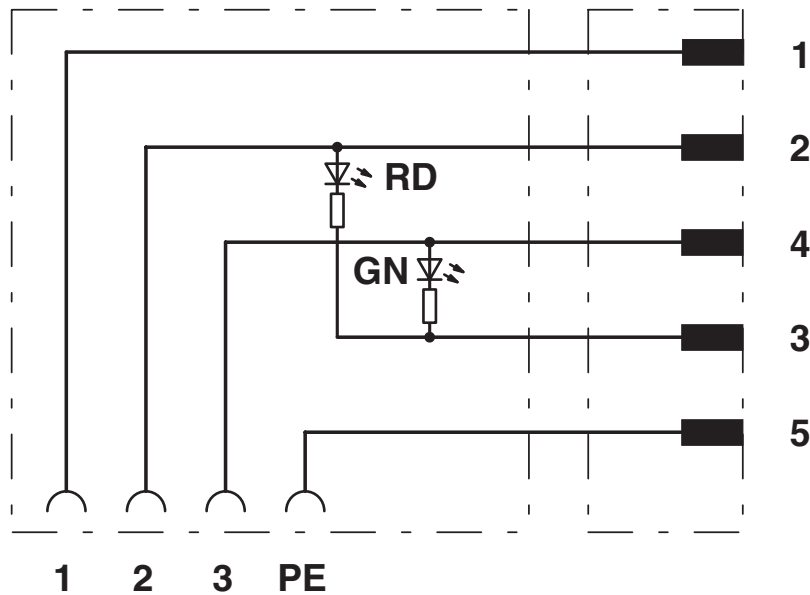
<https://www.phoenixcontact.com/us/products/1439625>

Schematic diagram



Valve plug connector pin assignment, type AD

Circuit diagram



Contact assignment of M12 plug and valve connector

SAC-5P-MS/0,7-PUR/AD-2L VW - Sensor/actuator cable



1439625

<https://www.phoenixcontact.com/us/products/1439625>

Classifications

ECLASS

ECLASS-13.0	27060312
ECLASS-15.0	27060312

SAC-5P-MS/0,7-PUR/AD-2L VW - Sensor/actuator cable



1439625

<https://www.phoenixcontact.com/us/products/1439625>

Environmental product compliance

China RoHS

Environment friendly use period (EFUP)	EFUP-50
	An article-related China RoHS declaration table can be found in the download area for the respective article under "Manufacturer declaration". For all articles with EFUP-E, no China RoHS declaration table issued and required.

EU REACH SVHC

REACH candidate substance (CAS No.)	No substance above 0.1 wt%
-------------------------------------	----------------------------

Phoenix Contact 2026 © - all rights reserved
<https://www.phoenixcontact.com>

Phoenix Contact USA
586 Fulling Mill Road
Middletown, PA 17057, United States
(+717) 944-1300
info@phoenixcon.com