

SAC-3P-M12MS/3,0-500/A-1L-Z - Sensor/actuator cable



1438927

<https://www.phoenixcontact.com/us/products/1438927>

Please be informed that the data shown in this PDF document is generated from our online catalog. Please find the complete data in the user documentation. Our general terms of use for downloads are valid.



Sensor/actuator cable, 3-position, PVC, gray RAL 7001, Plug straight M12, coding: A, with 1 LED, on Valve connector A, with 1 LED, Wiring: Z diode, cable length: 3 m

The figure shows the model with a PUR conductor

Commercial data

Item number	1438927
Packing unit	1 pc
Minimum order quantity	1 pc
Product key	AF1DJA
GTIN	4046356488976
Weight per piece (including packing)	148 g
Weight per piece (excluding packing)	134.9 g
Country of origin	PL

SAC-3P-M12MS/3,0-500/A-1L-Z - Sensor/actuator cable



1438927

<https://www.phoenixcontact.com/us/products/1438927>

Technical data

Product properties

Product type	Sensor/actuator cable with valve connector
Number of positions	3
No. of cable outlets	1
Coding	A

Insulation characteristics

Overvoltage category	III
Degree of pollution	3

Material specifications

Flammability rating according to UL 94	HB
Seal material	TPU
Material housing valve plug	TPU
Material of grip body	TPU
Contact material	CuSn
Contact surface material	Ni/Au
Contact carrier material	TPU GF
Contact material	CuSn
Valve plug contact insert material	PA 6.6
Contact surface material	Sn
Material for screw connection	Zinc die-cast, nickel-plated

Electrical properties

Insulation resistance	$\geq 100 \text{ M}\Omega$
Nominal voltage U_N	24 V AC
	24 V DC
Nominal current I_N	4 A

Mechanical properties

Mechanical data

Insertion/withdrawal cycles	≥ 100
-----------------------------	------------

Signaling

Status display	1 LED
Status display present	yes

Connector

Connection 1

Type	Plug straight M12
Number of positions	3

SAC-3P-M12MS/3,0-500/A-1L-Z - Sensor/actuator cable



1438927

<https://www.phoenixcontact.com/us/products/1438927>

Coding type	A
-------------	---

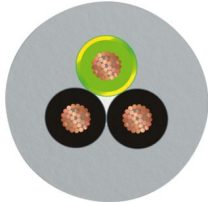
Connection 2

Type	Valve connector A
Number of positions	3
Material	CuSn (Contact)
	Sn (Contact surface)
	PA 6.6 (Contact carrier)
	TPU (Housing)
Protective circuit	Z diode

Cable/line

Cable length	3 m
--------------	-----

PVC gray [500]

Dimensional drawing	
Cable weight	39.2 kg/km
Number of positions	3
Shielded	no
Cable type	PVC gray [500]
Conductor type	Round cable
Conductor structure signal line	16x 0.20 mm
AWG signal line	20
Conductor cross-section	3x 0.5 mm ² (Signal line)
Wire diameter incl. insulation	1.5 mm ±0.05 mm (Signal line)
External cable diameter	4.80 mm ±0.2 mm
Outer sheath, material	PVC
External sheath, color	gray RAL 7001
Conductor material	Bare Cu litz wires
Material wire insulation	PVC
Single wire, color	black 1, black 2, green/yellow
Overall twist	Wires twisted in layers
Max. conductor resistance	39 Ω/km (at 20 °C)
Insulation resistance	min. 20 MΩ*km
Nominal voltage, cable	300 V
Test voltage	1200 V
Minimum bending radius, fixed installation	5 x D
Smallest bending radius, fixed installation	24 mm

SAC-3P-M12MS/3,0-500/A-1L-Z - Sensor/actuator cable



1438927

<https://www.phoenixcontact.com/us/products/1438927>

Flame resistance	DIN EN 50265-2-1
Resistance to oil	in accordance with DIN EN 60811-2-1
Ambient temperature (operation)	-40 °C ... 80 °C (cable, fixed installation)
	-5 °C ... 80 °C (Cable, flexible installation)

Environmental and real-life conditions

Ambient conditions

Degree of protection	IP65
	IP67
Ambient temperature (operation)	-25 °C ... 90 °C (Plug / socket)
	-20 °C ... 85 °C (Valve connector)

SAC-3P-M12MS/3,0-500/A-1L-Z - Sensor/actuator cable

1438927

<https://www.phoenixcontact.com/us/products/1438927>

Drawings

Dimensional drawing



Plug, M12 x 1, straight, shielded

Dimensional drawing

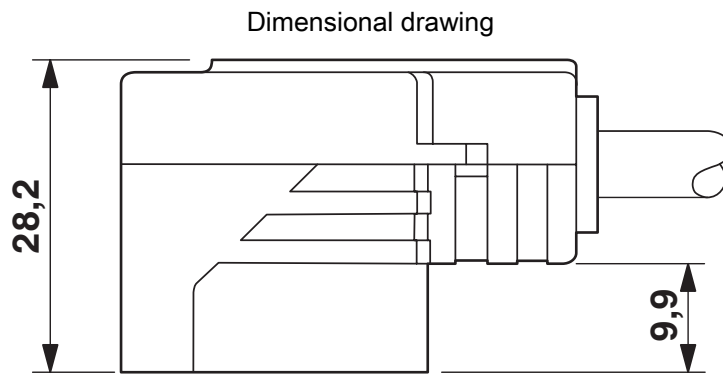


Valve connector, type A

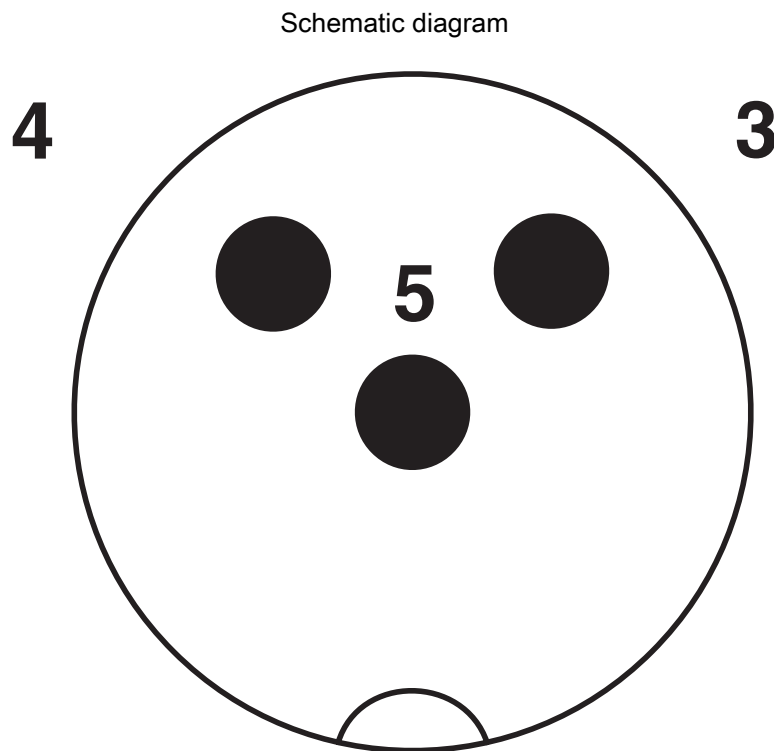
SAC-3P-M12MS/3,0-500/A-1L-Z - Sensor/actuator cable

1438927

<https://www.phoenixcontact.com/us/products/1438927>



Valve connector, type A, side view



Pin assignment M12 plug, 3-pos., valve connector

SAC-3P-M12MS/3,0-500/A-1L-Z - Sensor/actuator cable

1438927

<https://www.phoenixcontact.com/us/products/1438927>

Schematic diagram



Valve connector pin assignment, type A

Circuit diagram



Contact assignment of M12 plug and valve connector

SAC-3P-M12MS/3,0-500/A-1L-Z - Sensor/actuator cable



1438927

<https://www.phoenixcontact.com/us/products/1438927>

Classifications

ECLASS

ECLASS-13.0	27060312
ECLASS-15.0	27060312

UNSPSC

UNSPSC 21.0	31251500
-------------	----------

SAC-3P-M12MS/3,0-500/A-1L-Z - Sensor/actuator cable



1438927

<https://www.phoenixcontact.com/us/products/1438927>

Environmental product compliance

EU RoHS

Fulfills EU RoHS substance requirements	Yes
Exemption	7(c)-I

China RoHS

Environment friendly use period (EFUP)	EFUP-50
	An article-related China RoHS declaration table can be found in the download area for the respective article under "Manufacturer declaration". For all articles with EFUP-E, no China RoHS declaration table issued and required.

EU REACH SVHC

REACH candidate substance (CAS No.)	No substance above 0.1 wt%
-------------------------------------	----------------------------

Phoenix Contact 2026 © - all rights reserved
<https://www.phoenixcontact.com>

Phoenix Contact USA
586 Fulling Mill Road
Middletown, PA 17057, United States
(+717) 944-1300
info@phoenixcon.com